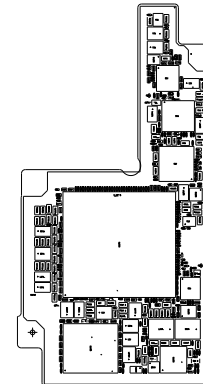


VIETMOBILE.VN

TOP SIDE ASSEMBLY

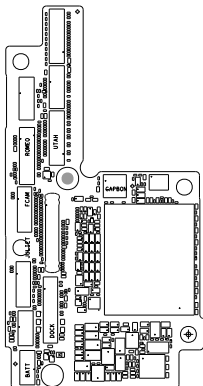
APPLE				TITLE	PCBF, X891 TOP MLB
THIS IS THE PROPERTY OF APPLE AND IT MUST BE RETURNED					
ORIG DIV	DESIGNER	DATE	SCALE	DRAWING NUMBER	
	KEN KLIPLINGER	03/31/17	1:1		820-00863-09
NOTES: PARTWORK VIEWED FROM COMPONENT SIDE. PCB SHALL CONFORM TO STANDARDS AS DEFINED IN APPLE SPECIFICATION 080-2265 (FLEXIBLE PRINTED CIRCUIT BOARDS) OR 062-0073 (MULTI-LAYER BOARDS) AS APPLICABLE.				NOTICE OF PROPRIETARY PROPERTY THE INFORMATION CONTAINED HEREIN IS THE PROPRIETARY PROPERTY OF APPLE THE POSSESSOR AGREES TO THE FOLLOWING (I) TO MAINTAIN THIS DOCUMENT IN CONFIDENCE (II) NOT TO REPRODUCE OR COPY IT (III) NOT TO REVEAL OR PUBLISH IT	

VIETMOBILE.VN



BOTTOM SIDE ASSEMBLY

TITLE TOP MLB PCBF, X801		APPLE			
		THIS IS THE PROPERTY OF APPLE AND IT MUST BE RETURNED			
DRAWING NUMBER 850-00803-00		SCALE 1:1	DATE 03/31/17	DESIGNER KEN KIPLINGER	ORIG DIV
NOTICE OF PROPRIETARY PROPERTY THE INFORMATION CONTAINED HEREIN IS THE PROPRIETARY PROPERTY OF APPLE THE POSSESSOR AGREES TO THE FOLLOWING (I) TO MAINTAIN THIS DOCUMENT IN CONFIDENCE (II) NOT TO REPRODUCE OR COPY IT (III) NOT TO REVEAL OR PUBLISH IT		NOTES: 005-0073 (MULTI-LAYER BOARDS) AS APPLICABLE. 080-5205 (FLEXIBLE PRINTED CIRCUIT BOARDS) OR TO STANDARDS AS DEFINED IN APPLE SPECIFICATION ARKWORK VIEWED FROM COMPONENT SIDE. PCB SHALL CONFORM			

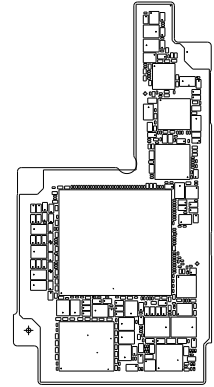


VIETMOBILE.VN

TOP SIDE ASSEMBLY

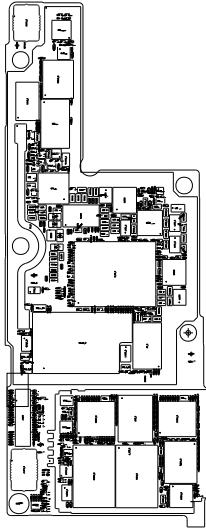
APPLE				TITLE		PCBF, X891 TOP MLB	
THIS IS THE PROPERTY OF APPLE AND IT MUST BE RETURNED							
ORIG DIV	DESIGNER	DATE	SCALE	DRAWING NUMBER			
	KEN KLIPLINGER	03/31/17	1:1	820-00863-09			
NOTES: ARTWORK VIEWED FROM COMPONENT SIDE. PCB SHALL CONFORM TO STANDARDS AS DEFINED IN APPLE SPECIFICATION 080-2265 (FLEXIBLE PRINTED CIRCUIT BOARDS) OR 062-0073 (MULTI-LAYER BOARDS) AS APPLICABLE.				NOTICE OF PROPRIETARY PROPERTY THE INFORMATION CONTAINED HEREIN IS THE PROPRIETARY PROPERTY OF APPLE THE POSSESSOR AGREES TO THE FOLLOWING (I) TO MAINTAIN THIS DOCUMENT IN CONFIDENCE (II) NOT TO REPRODUCE OR COPY IT (III) NOT TO REVEAL OR PUBLISH IT			

VIETMOBILE.VN



BOTTOM SIDE ASSEMBLY

TITLE TOP MLB PCBF, X801		APPLE			
		THIS IS THE PROPERTY OF APPLE AND IT MUST BE RETURNED			
DRAWING NUMBER 850-00803-09	SCALE	DATE	DESIGNER	ORIG DIV	
	1:1	03/31/17	KEN KIPLINGER		
NOTICE OF PROPRIETARY PROPERTY THE INFORMATION CONTAINED HEREIN IS THE PROPRIETARY PROPERTY OF APPLE THE POSSESSOR AGREES TO THE FOLLOWING (I) TO MAINTAIN THIS DOCUMENT IN CONFIDENCE (II) NOT TO REPRODUCE OR COPY IT (III) NOT TO REVEAL OR PUBLISH IT		NOTES: 065-0073 (MULTI-LAYER BOARDS) AS APPLICABLE. 080-5205 (FLEXIBLE PRINTED CIRCUIT BOARDS) OR 080-5205 AS DEFINED IN APPLE SPECIFICATION NETWORK VIEWED FROM COMPONENT SIDE. PCB SHALL CONFORM			

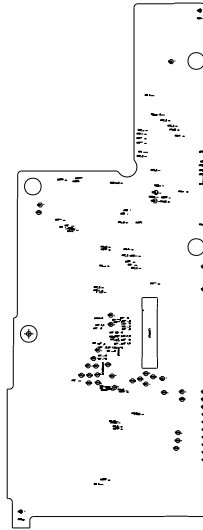


VIETMOBILE.VN

TOP SIDE ASSEMBLY

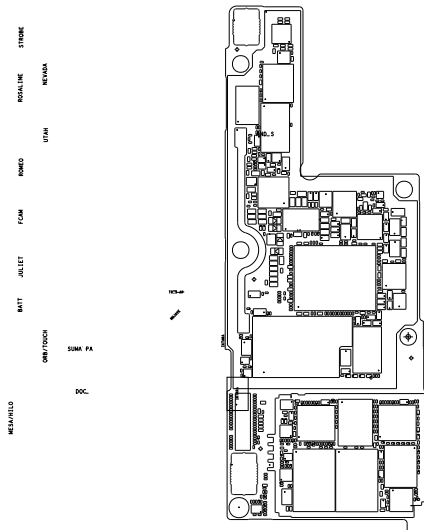
APPLE				TITLE		PCBF, X893 MLB BOT	
THIS IS THE PROPERTY OF APPLE AND IT MUST BE RETURNED				DRAWING NUMBER		820-00869-06	
ORIG DIV	DESIGNER	DATE	SCALE				
	TIM REID	04/06/17	1:1				
NOTES: APTWOPZ VIEWED FROM COMPONENT SIDE. PCB SHALL CONFORM TO STANDAPDS AS DEFINED IN APPLE SPECIFICATION 080-2265 (FLEXIBLE PRINTED CIPCUIR BOARDS) OR 062-0073 (MULTI- LAYER BOARDS) AS APPLICABLE.				NOTICE OF PPROPIETARY PROPERTY THE INFOPMATION CONTAINED HEREIN IS THE PPROPIETARY PROPERTY OF APPLE THE POSSESSOP AGREES TO THE FOLLOWING (I) TO MAINTAIN THIS DOCUMENT IN CONFIDENCE (II) NOT TO PEPRODUCE OR COPY IT (III) NOT TO PEVEAL OR PUBLISH IT			

VIETMOBILE.VN



BOTTOM SIDE ASSEMBLY

TITLE		APPLE			
PCBF, X803 MLB BOT		THIS IS THE PROPERTY OF APPLE AND IT MUST BE RETURNED			
DRAWING NUMBER		SCALE	DATE	DESIGNER	ORIG DIV
850-00800-00		1:1	04\00\17	TIM REID	
NOTICE OF PROPRIETARY PROPERTY THE INFORMATION CONTAINED HEREIN IS THE PROPERTY OF APPLE THE POSSESSOR AGREES TO THE FOLLOWING (I) TO MAINTAIN THIS DOCUMENT IN CONFIDENCE (II) NOT TO REPRODUCE OR COPY IT (III) NOT TO REVEAL OR PUBLISH IT		NOTES: 065-0073 (MULTI-LAYER BOARDS) AS APPLICABLE. 080-5205 (FLEXIBLE PRINTED CIRCUIT BOARDS) OR TO STANDARDS AS DEFINED IN APPLE SPECIFICATION ARTWORK VIEWED FROM COMPONENT SIDE. PCB SHALL CONFORM			



VIETMOBILE.VN

TOP SIDE ASSEMBLY

APPLE				TITLE PCBF, X893 MLB BOT	
THIS IS THE PROPERTY OF APPLE AND IT MUST BE RETURNED					
ORIG DIV	DESIGNER TIM REID	DATE 04/06/17	SCALE 1:1	DRAWING NUMBER 820-00869-06	
NOTES APTWOPV VIEWED FROM COMPONENT SIDE. PCB SHALL CONFORM TO STANDAPDS AS DEFINED IN APPLE SPECIFICATION 080-2265 (FLEXIBLE PRINTED CIPCUIT BOARDS) OR 062-0073 (MULTI- LAYER BOARDS) AS APPLICABLE.				NOTICE OF PPROPIETARY PROPERTY THE INFOPMATION CONTAINED HEREIN IS THE PPROPIETARY PROPERTY OF APPLE THE POSSESSOP AGREES TO THE FOLLOWING (I) TO MAINTAIN THIS DOCUMENT IN CONFIDENCE (II) NOT TO PEPRODUCE OR COPY IT (III) NOT TO PEVEAL OR PUBLISH IT	

1. ALL RESISTANCE VALUES ARE IN OHMS, 0.1 WATT +/- 5%.
 2. ALL CAPACITANCE VALUES ARE IN MICROFARADS.
 3. ALL CRYSTALS & OSCILLATOR VALUES ARE IN HERTZ.

REV	ECN	DESCRIPTION OF REVISION	CK APPD	DATE
9	0008409760	ENGINEERING RELEASED		2017-04-05

X891/X893 MLB Top: EVT

LAST_MODIFICATION=Mon Apr 3 13:03:06 2017

PAGE	CSA	CONTENTS	SYNC	DATE
1	1	TABLE OF CONTENTS		
2	2	SYSTEM:BOM Tables	test_mlb	10/13/2016
3	4	SYSTEM: Mechanical Components		
4	5	SYSTEM: Testpoints (Top)	test_mlb	10/13/2016
5	6	BOOTSTRAPPING	test_mlb	10/13/2016
6	10	SOC: JTAG,USB,XTAL	test_mlb	10/17/2016
7	11	SOC: PCIE	test_mlb	10/17/2016
8	12	SOC: MIPI & ISP	test_mlb	10/13/2016
9	13	SOC: LPDP	test_mlb	10/13/2016
10	14	SOC: Serial	test_mlb	10/17/2016
11	15	SOC: GPIO & UART	test_mlb	10/13/2016
12	16	SOC: AOP	test_mlb	10/17/2016
13	17	SOC: Power (1/3)	test_mlb	10/17/2016
14	18	SOC: Power (2/3)	test_mlb	10/17/2016
15	19	SOC: Power (3/3)	test_mlb	10/17/2016
16	26	NAND	test_mlb	10/13/2016
17	27	SYSTEM POWER: PMU Bucks (1/4)	test_mlb	10/13/2016
18	28	SYSTEM POWER: PMU Bucks (2/4)	test_mlb	10/13/2016
19	29	SYSTEM POWER: PMU LDOs (3/4)	test_mlb	10/13/2016
20	30	SYSTEM POWER: PMU (4/4)	test_mlb	11/01/2016
21	31	SYSTEM POWER: Boost	test_mlb	10/13/2016
22	32	SYSTEM POWER: B2B Battery	test_mlb	10/13/2016
23	33	SYSTEM POWER: Charger	test_mlb	10/13/2016
24	34	SYSTEM POWER: Iktara		
25	35	SYSTEM POWER: B2B Cyclone + Button	test_mlb	10/13/2016
26	36	SENSORS	test_mlb	10/13/2016
27	37	CAMERA: PMU (1/2)	test_mlb	10/13/2016
28	38	CAMERA: PMU (2/2)	test_mlb	10/13/2016
29	39	CAMERA: B2B Wide (WY)	test_mlb	10/13/2016
30	40	CAMERA: B2B Tele (MT)	test_mlb	10/13/2016
31	41	CAMERA: Strobe Drivers	test_mlb	10/13/2016
32	42	CAMERA: B2B FCAM	test_mlb	10/13/2016
33	43	CAMERA: B2B Strobe + Hold Button	test_mlb	10/13/2016
34	44	PEARL: Power	test_mlb	10/13/2016
35	45	PEARL: B2B Romeo + Juliet	test_mlb	10/13/2016
36	46	PEARL: B2B Rosaline + Misc	test_mlb	10/13/2016
37	47	AUDIO: CODEC (1/2)	test_mlb	10/13/2016
38	48	AUDIO: CODEC (2/2)	test_mlb	10/13/2016
39	49	AUDIO: Speaker Amp Bottom		08/25/2015
40	50	AUDIO: Speaker Amp Top		08/25/2015
41	51	ARC: Driver	test_mlb	10/13/2016
42	56	CG: Power Supplies - Touch & Display	test_mlb	10/13/2016
43	57	CG: B2B Display	test_mlb	10/13/2016
44	58	CG: B2B Orb & Touch		08/25/2015
45	59	I/O: Overvoltage Cut-Off Circuit	sync	01/10/2017

PAGE	CSA	CONTENTS	SYNC	DATE
46	61	I/O: Accessory Buck	test_mlb	10/17/2016
47	62	I/O: USB PD	test_mlb	10/13/2016
48	63	I/O: Hydra	test_mlb	10/13/2016
49	64	I/O: B2B Dock	test_mlb	10/13/2016
50	65	I/O: Interposer (Bottom)	test_mlb	10/13/2016
51	80	RADIOS		06/04/2015

BOM:639-04583 (Ultimate)
 BOM:639-03409 (Extreme)
 MCO:056-04077

PART#	QTY	DESCRIPTION	REFERENCE DESIGNATOR(S)	CRITICAL	BOM OPTION
051-02221	1	SCH_MLB_TOP_X891	SCH	NO	COMMON
820-00863	1	PCB_MLB_TOP_X891	PCB	NO	COMMON

TABLE OF CONTENTS

DRAWING TITLE		SCH,MLB, TOP, X891	
Apple Inc.	DRAWING NUMBER	051-02221	SIZE
	REVISION	9.0.0	D
NOTICE OF PROPRIETARY PROPERTY: THE INFORMATION CONTAINED HEREIN IS THE PROPRIETARY PROPERTY OF APPLE INC. THE POSSESSOR AGREES TO THE FOLLOWING: I TO MAINTAIN THIS DOCUMENT IN CONFIDENCE II NOT TO REPRODUCE OR COPY IT III NOT TO REVEAL OR PUBLISH IT IN WHOLE OR PART IV ALL RIGHTS RESERVED		BRANCH	evt-1
		PAGE	1 OF 80
		SHEET	1 OF 51

8

7

6

5

4

3

2

1

FIDUCIALS

FD0401

FID

0P5SQ-CROSS-NSP

ROOM-ASSEMBLY

1

FD0402

FID

0P5SQ-CROSS-NSP

ROOM-ASSEMBLY

1

FD0403

FID

0P5SQ-CROSS-NSP

ROOM-ASSEMBLY

1

FD0404

FID

0P5SQ-CROSS-NSP

ROOM-ASSEMBLY

1

FD0420

FID

0P5SQ-CROSS-NSP

ROOM-ASSEMBLY

1

FD0405

FID

0P5SQ-SMP3SQ-NSP

ROOM-ASSEMBLY

1

FD0410

FID

0P5SQ-SMP3SQ-NSP

ROOM-ASSEMBLY

1

FD0411

FID

0P5SQ-SMP3SQ-NSP

ROOM-ASSEMBLY

1

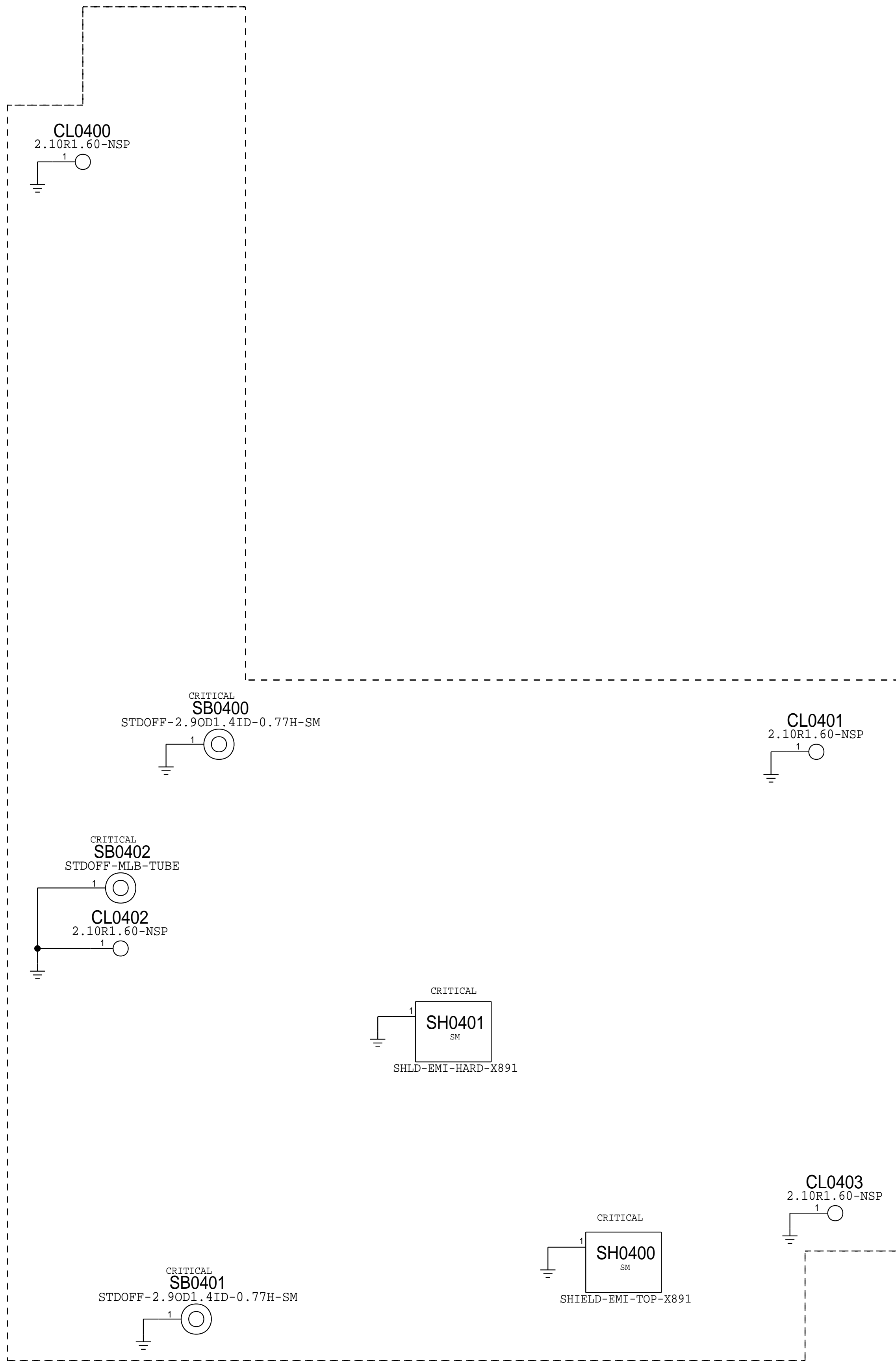
FD0412

FID

0P5SQ-SMP3SQ-NSP

ROOM-ASSEMBLY

1



PAGE TITLE		
SYSTEM: Mechanical Components		
	DRAWING NUMBER	051-02221
	REVISION	9.0.0
NOTICE OF PROPRIETARY PROPERTY: THE INFORMATION CONTAINED HEREIN IS THE PROPRIETARY PROPERTY OF APPLE INC. THE POSSESSOR AGREES TO THE FOLLOWING: I TO MAINTAIN THIS DOCUMENT IN CONFIDENCE II NOT TO REPRODUCE OR COPY IT III NOT TO REVEAL OR PUBLISH IT IN WHOLE OR PART IV ALL RIGHTS RESERVED	BRANCH	evt-1
	PAGE	4 OF 80
	SHEET	3 OF 51

8

7

6

5

4

3

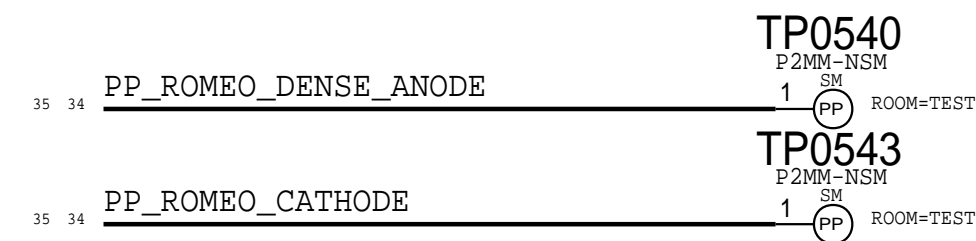
2

1

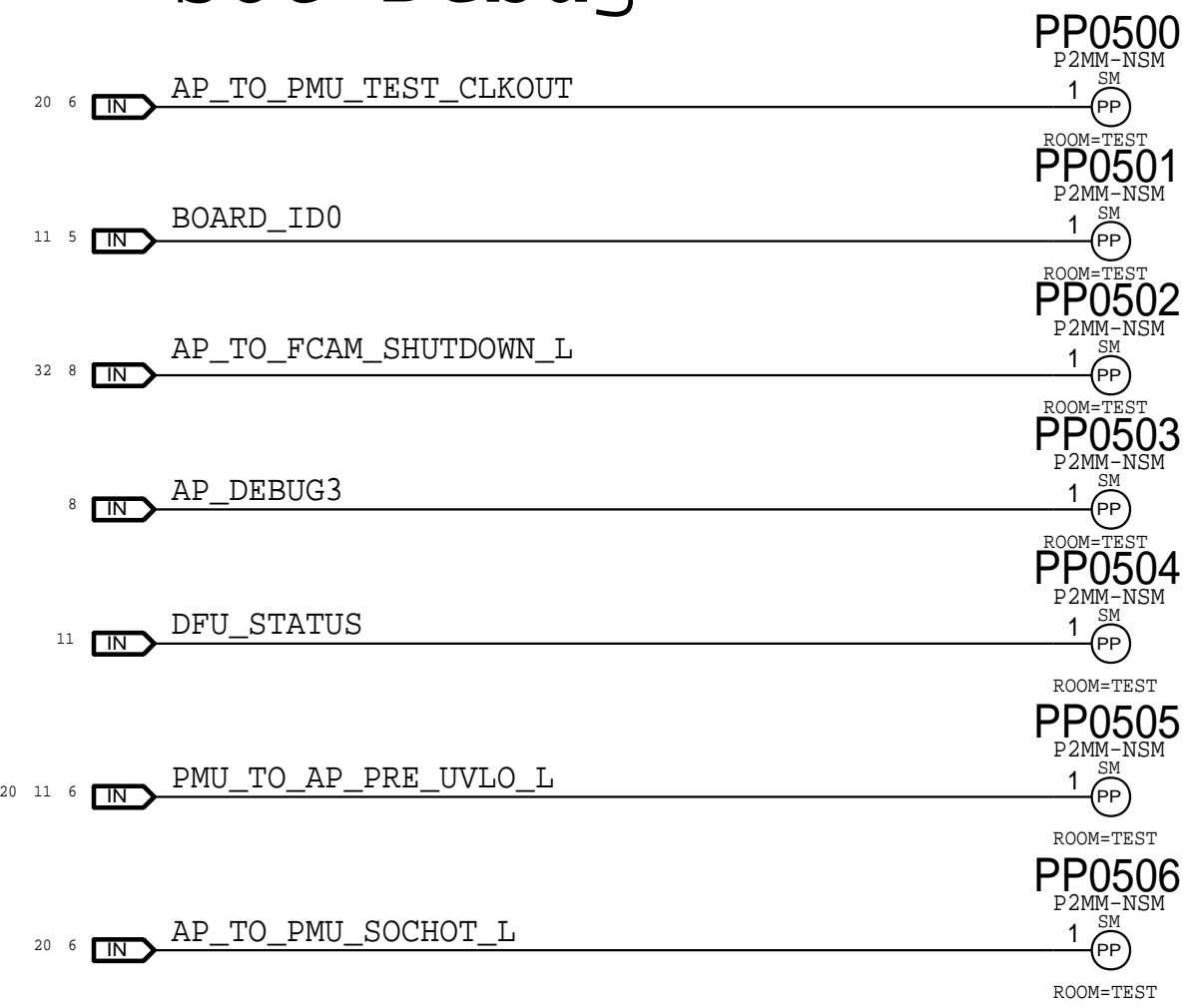
Test Points

Probe Points

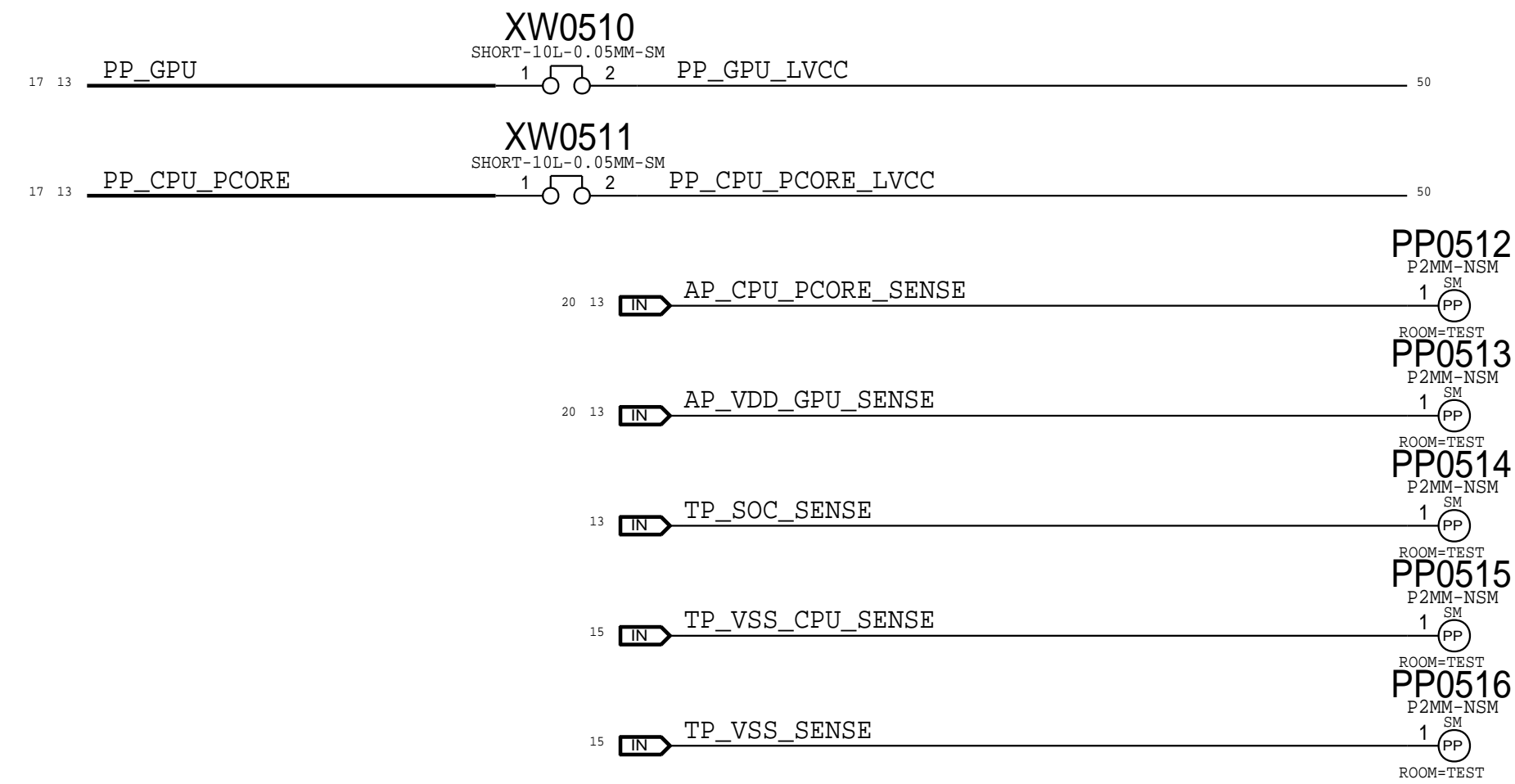
POWER



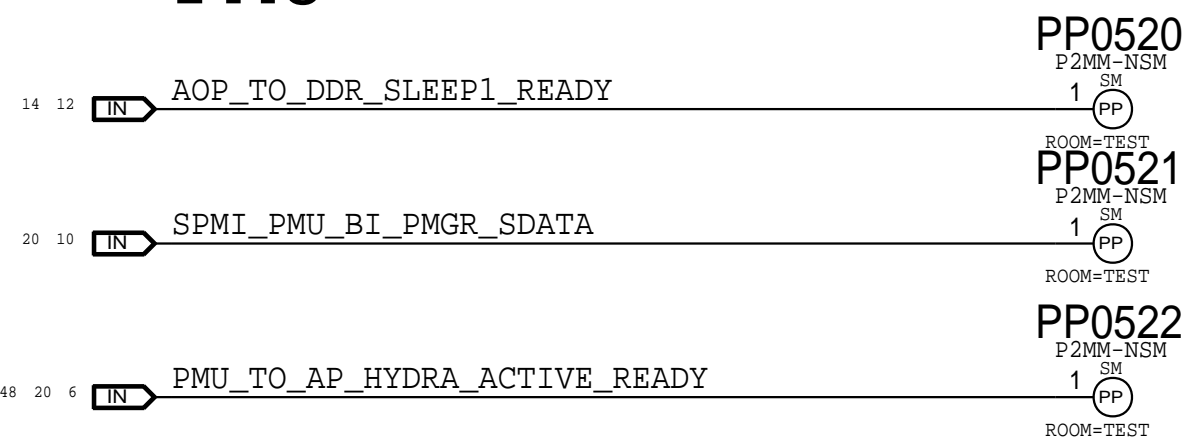
SOC Debug



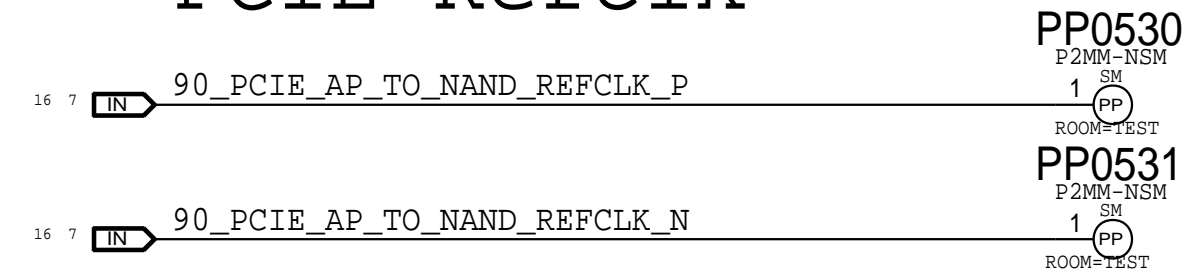
SOC CPU/GPU



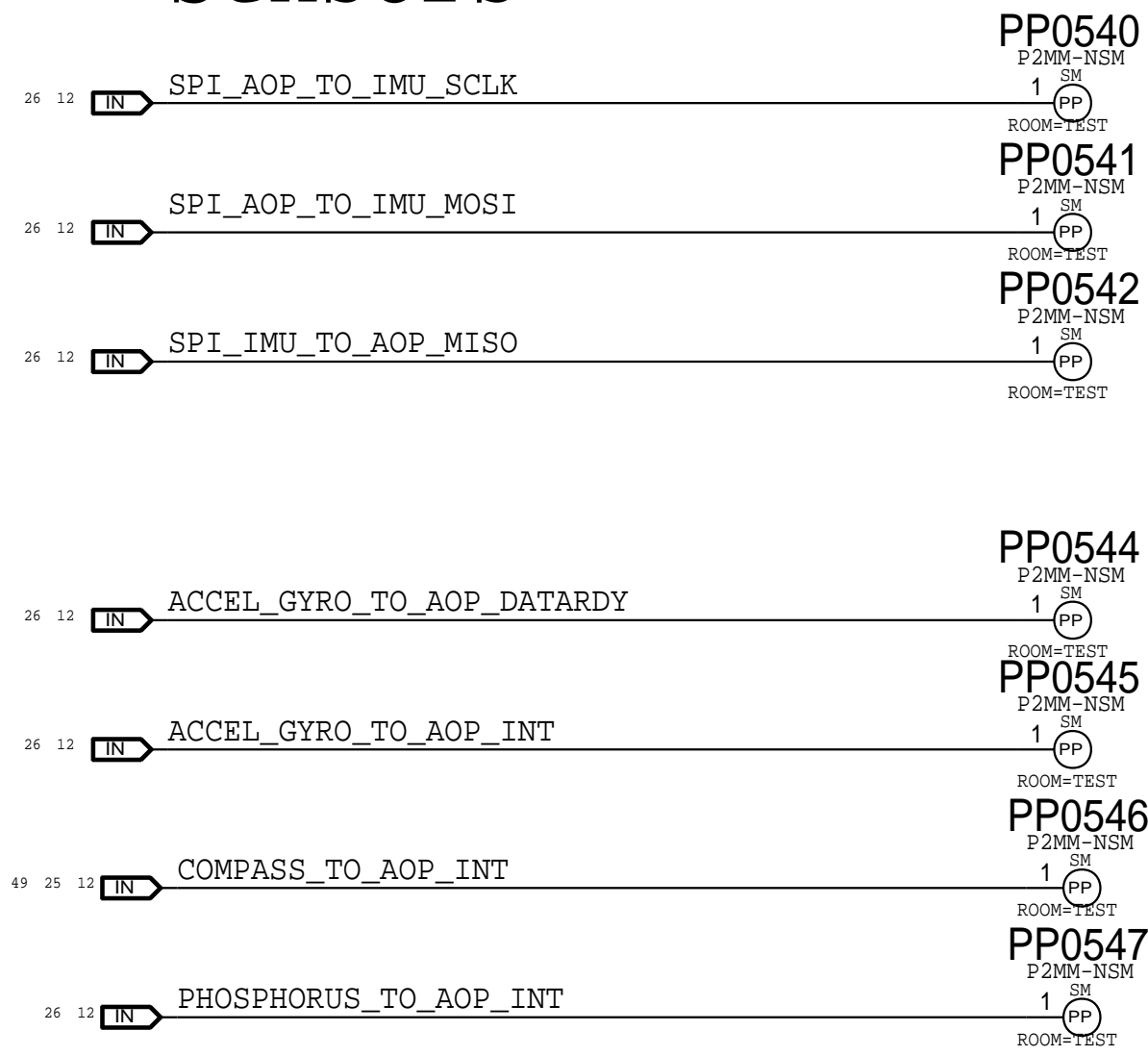
PMU



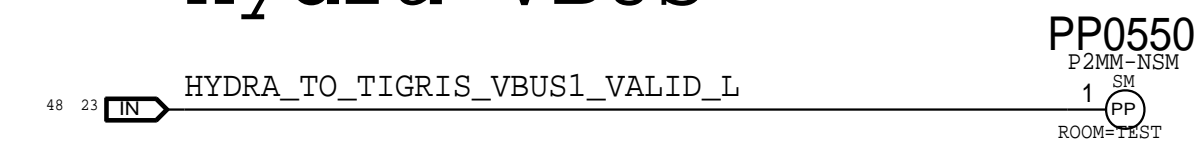
PCIE Refclk



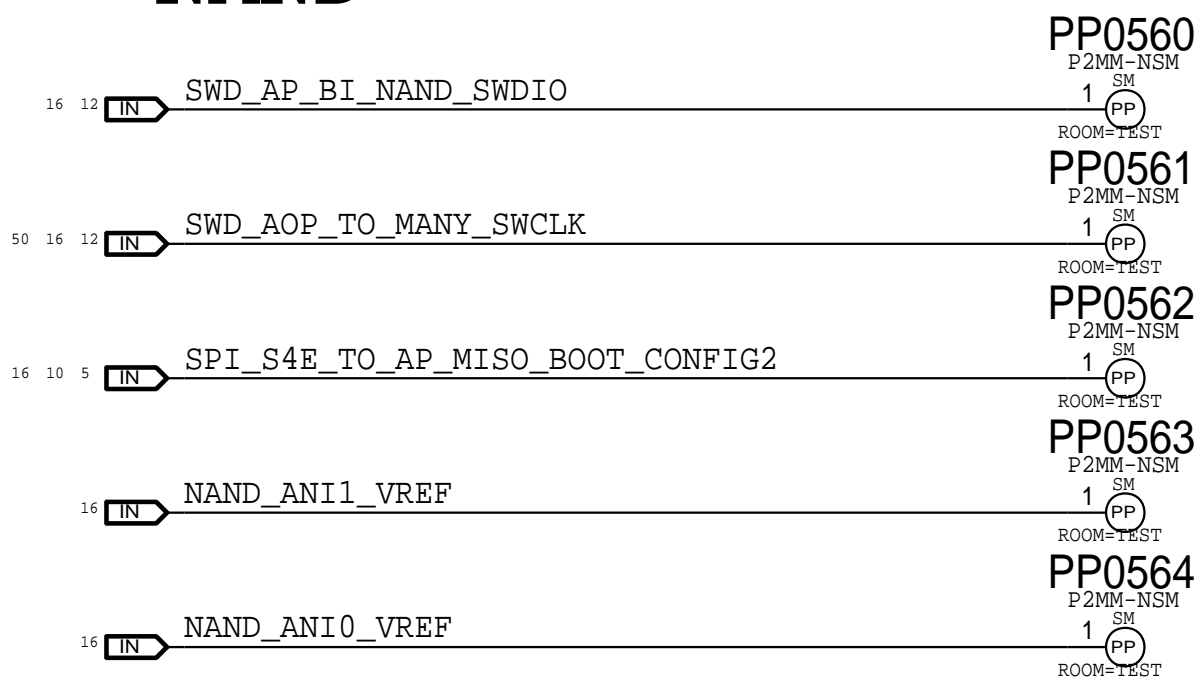
Sensors



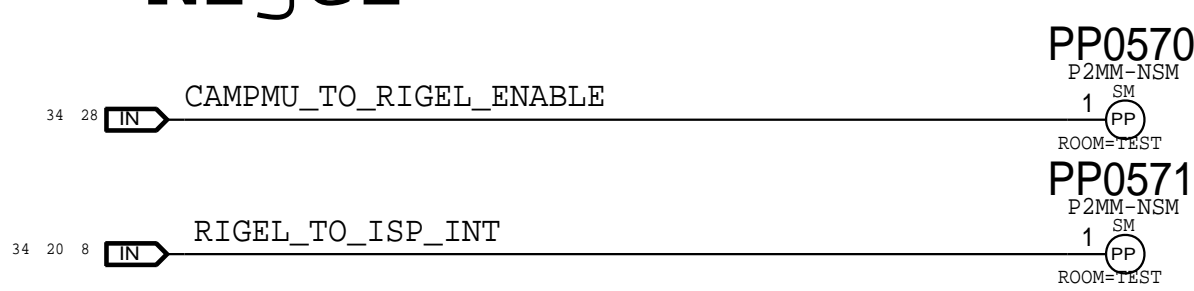
Hydra VBUS



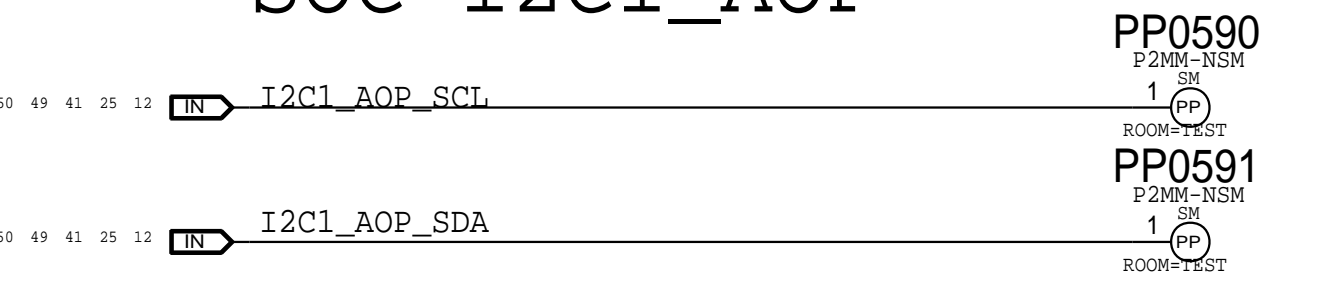
NAND



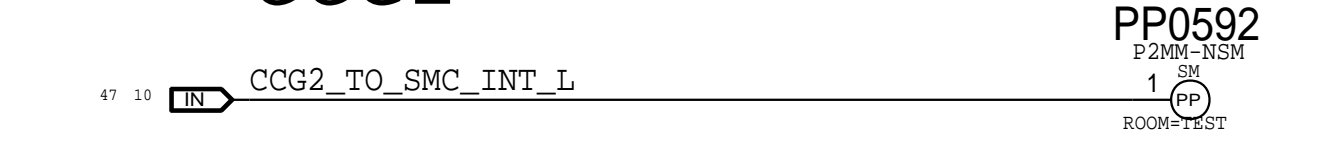
Rigel



SOC I2C1_AOP



CCG2



PAGE TITLE		
SYSTEM: Testpoints (Top)		
	DRAWING NUMBER	051-02221
	REVISION	9.0.0
NOTICE OF PROPRIETARY PROPERTY:		BRANCH
THE INFORMATION CONTAINED HEREIN IS THE PROPRIETARY PROPERTY OF APPLE INC. THE POSSESSOR AGREES TO THE FOLLOWING: I TO MAINTAIN THIS DOCUMENT IN CONFIDENCE II NOT TO REPRODUCE OR COPY IT III NOT TO REVEAL OR PUBLISH IT IN WHOLE OR PART IV ALL RIGHTS RESERVED		PAGE
		SHEET
		4 OF 51

D

D

C

C

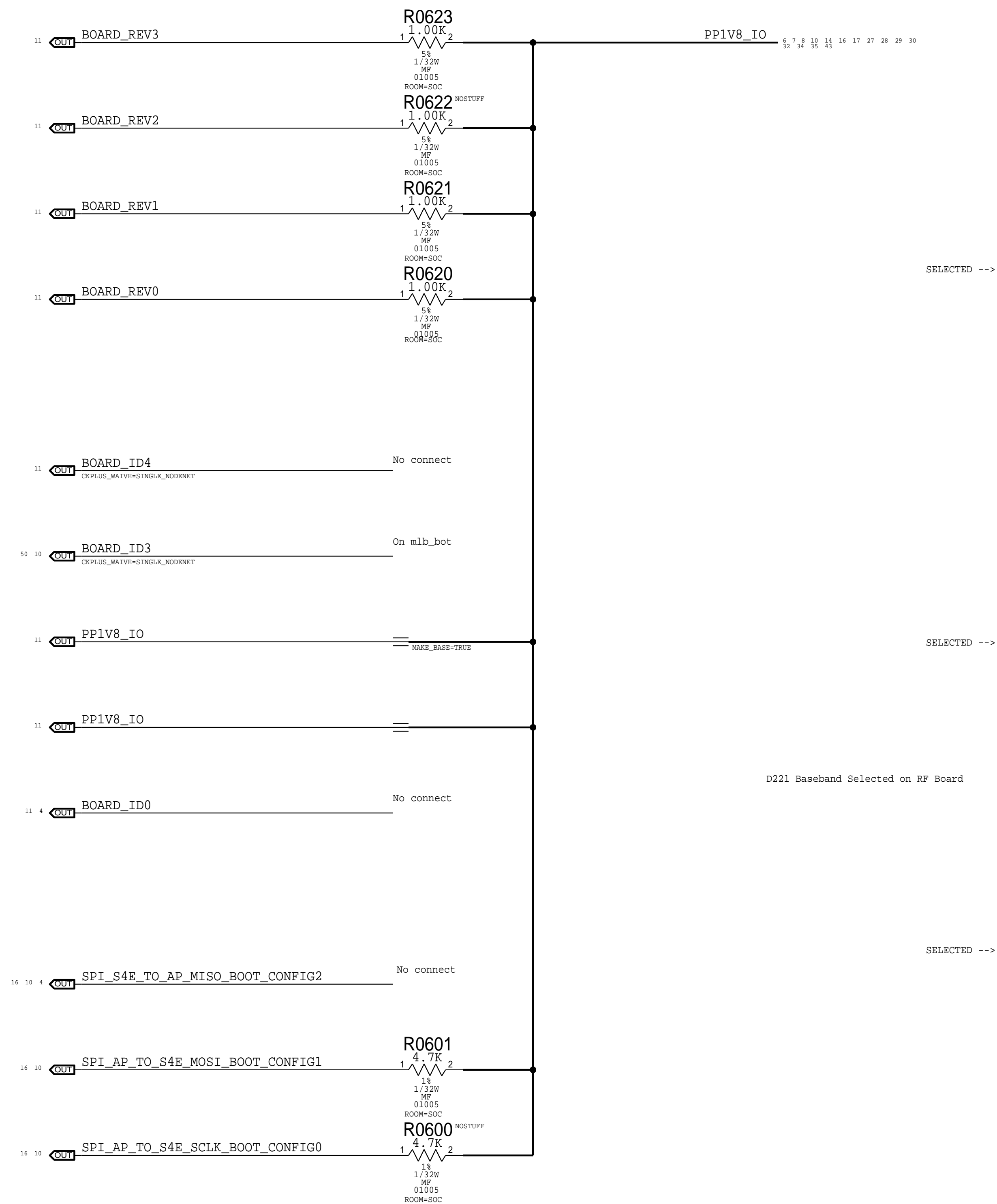
B

B

A

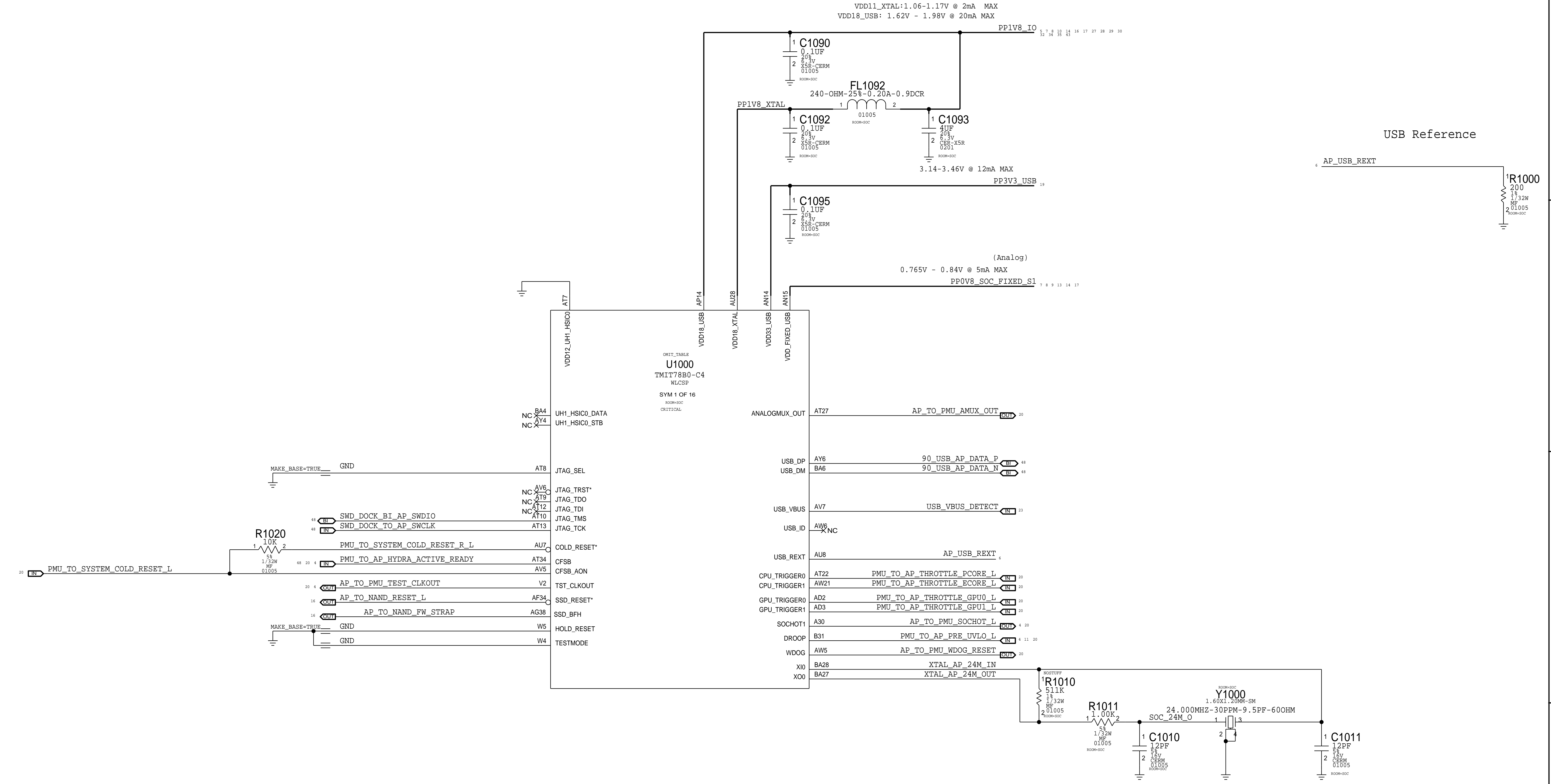
A

BOOTSTRAPPING: BOARD REV BOARD ID BOOT CONFIG



PAGE TITLE BOOTSTRAPPING		
	DRAWING NUMBER 051-02221	SIZE D
	REVISION 9.0.0	BRANCH evt-1
NOTICE OF PROPRIETARY PROPERTY: THE INFORMATION CONTAINED HEREIN IS THE PROPRIETARY PROPERTY OF APPLE INC. THE POSSESSOR AGREES TO THE FOLLOWING: I TO MAINTAIN THIS DOCUMENT IN CONFIDENCE II NOT TO REPRODUCE OR COPY IT III NOT TO REVEAL OR PUBLISH IT IN WHOLE OR PART IV ALL RIGHTS RESERVED		PAGE 6 OF 80
		SHEET 5 OF 51

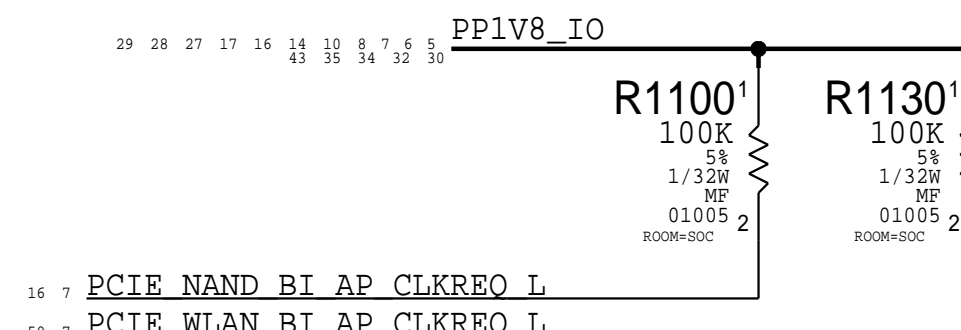
SOC - USB, JTAG, XTAL



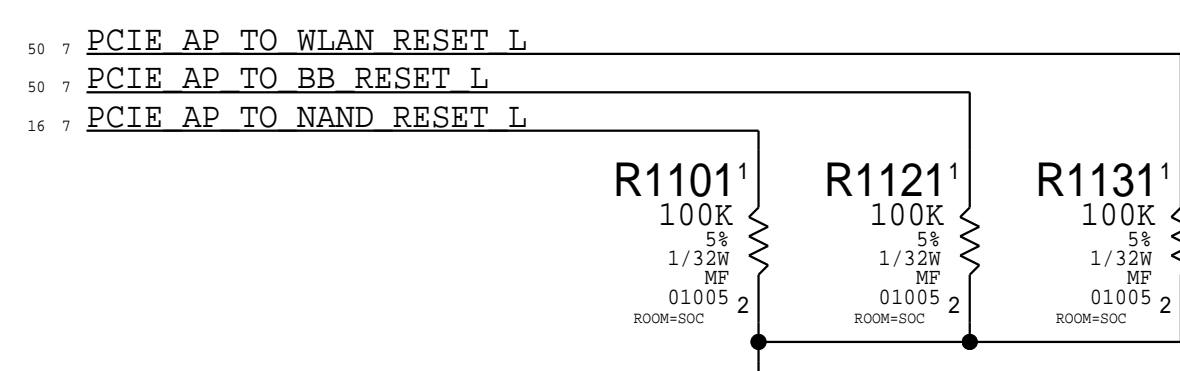
PAGE TITLE		
SOC: JTAG, USB, XTAL		
	DRAWING NUMBER	051-02221
	REVISION	9.0.0
NOTICE OF PROPRIETARY PROPERTY: THE INFORMATION CONTAINED HEREIN IS THE PROPRIETARY PROPERTY OF APPLE INC. THE POSSESSOR AGREES TO THE FOLLOWING: I TO MAINTAIN THIS DOCUMENT IN CONFIDENCE II NOT TO REPRODUCE OR COPY IT III NOT TO REVEAL OR PUBLISH IT IN WHOLE OR PART IV ALL RIGHTS RESERVED	BRANCH	evt-1
	PAGE	10 OF 80
	SHEET	6 OF 51

SOC - PCIE INTERFACES

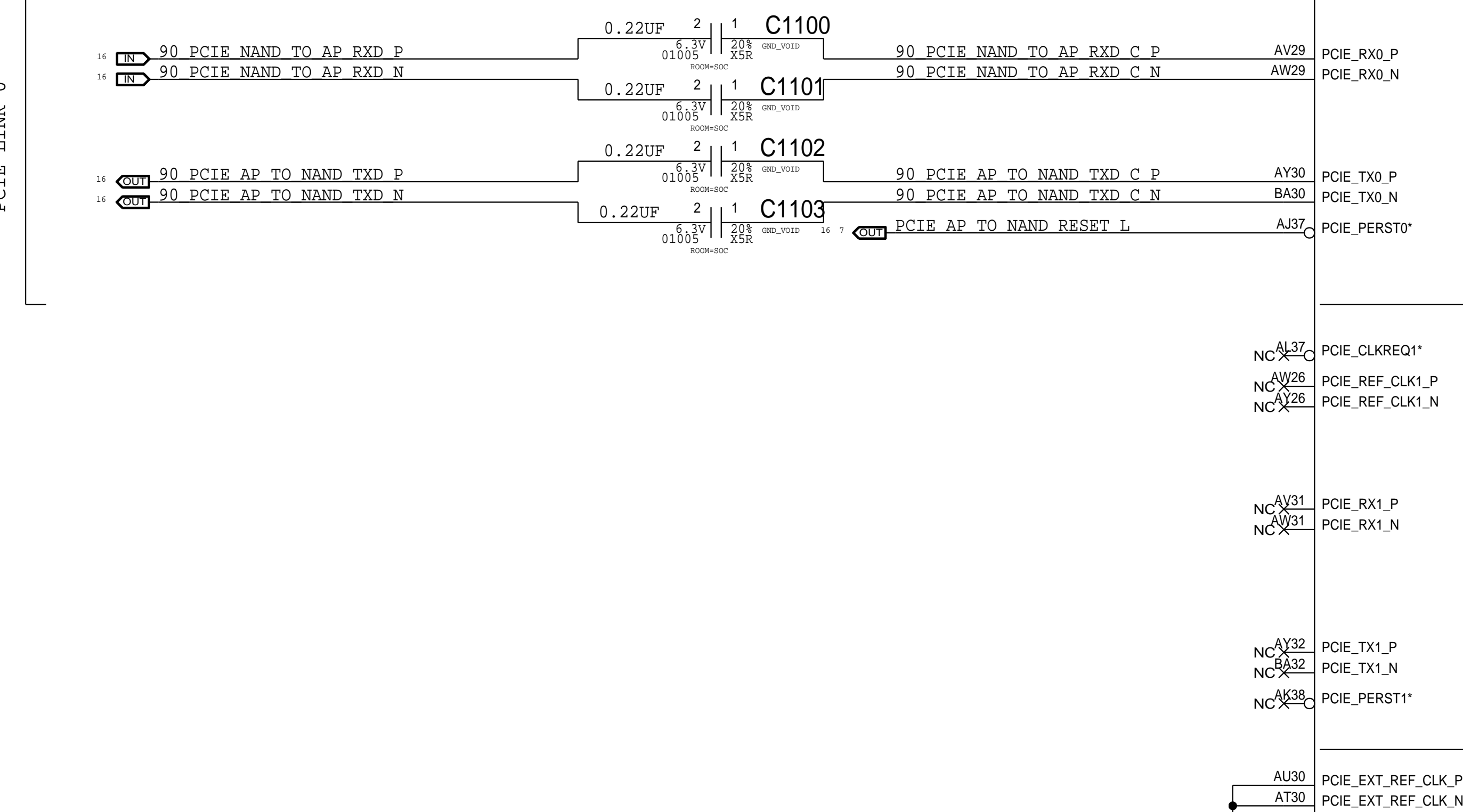
PCie BB CLKREQ PU on BB domain
PCie Clock Request Pull-Ups



PCie Reset Pull-Downs



PCIE LINK 0



A

8

7

6

5

4

3

2

1

PCIE LINK 3

PCIE LINK 2

A

1

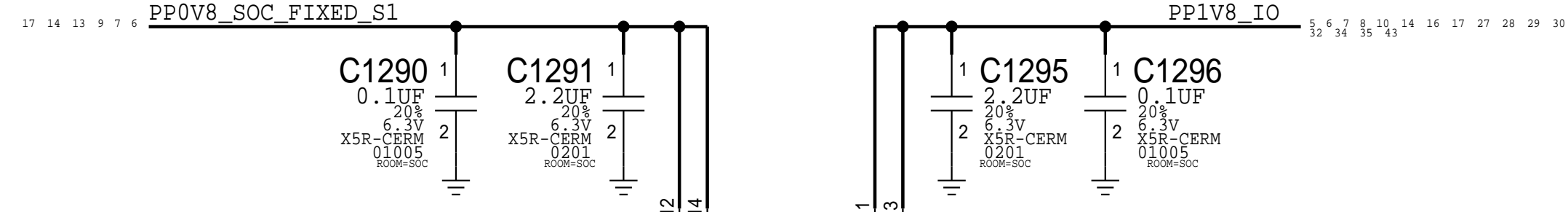
PAGE TITLE		
SOC: PCIE		
	DRAWING NUMBER	051-02221
	REVISION	9.0.0
NOTICE OF PROPRIETARY PROPERTY: THE INFORMATION CONTAINED HEREIN IS THE PROPRIETARY PROPERTY OF APPLE INC. THE POSSESSOR AGREES TO THE FOLLOWING: I TO MAINTAIN THIS DOCUMENT IN CONFIDENCE II NOT TO REPRODUCE OR COPY IT III NOT TO REVEAL OR PUBLISH IT IN WHOLE OR PART IV ALL RIGHTS RESERVED	BRANCH	evt-1
	PAGE	11 OF 80
	SHEET	7 OF 51

SOC - MIPI & ISP INTERFACES

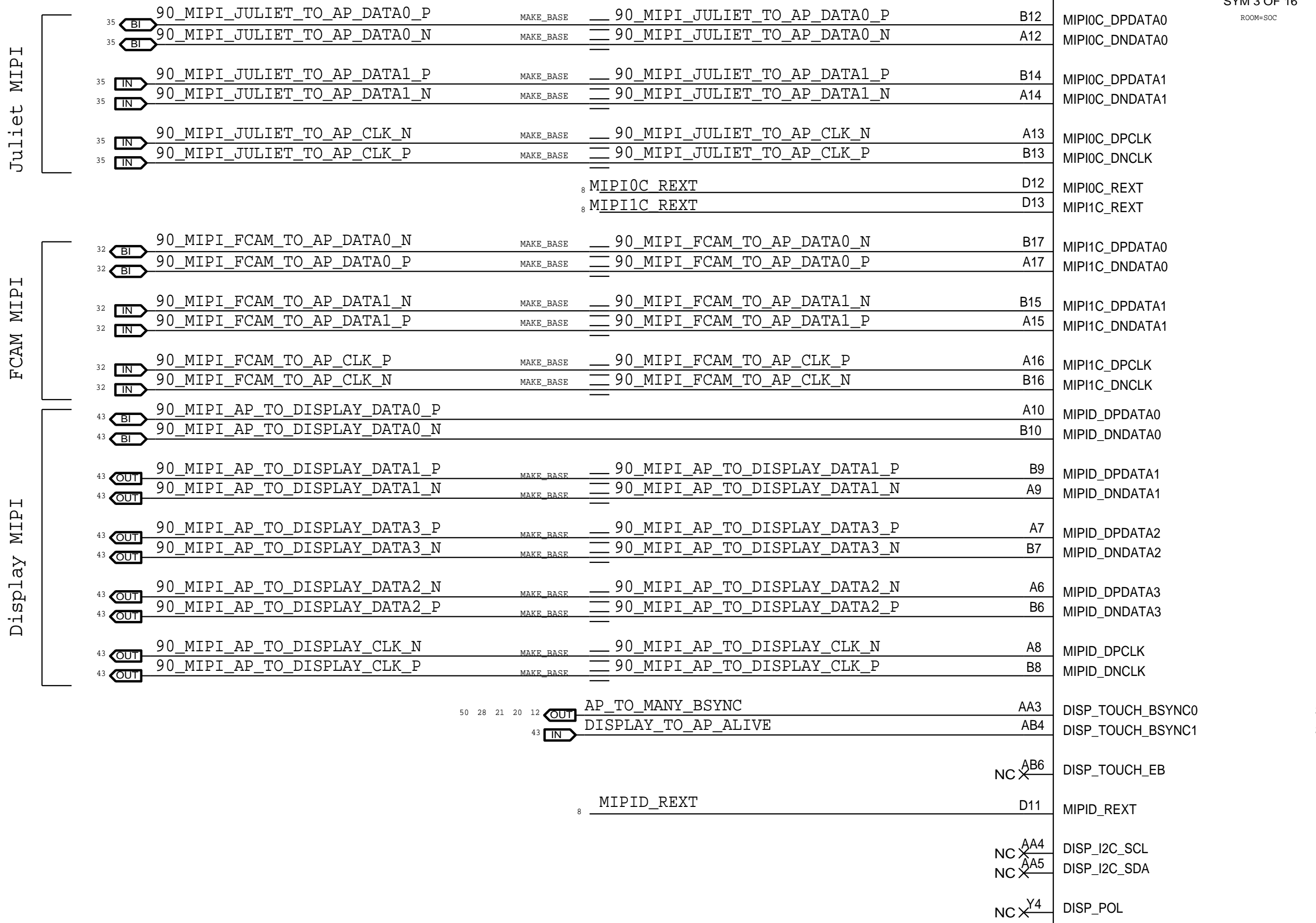
MIPI Lane & Polarity Swapping

(Analog)
0.765V - 0.84V @ 40mA MAX
PP0V8_SOC_FIXED_S1

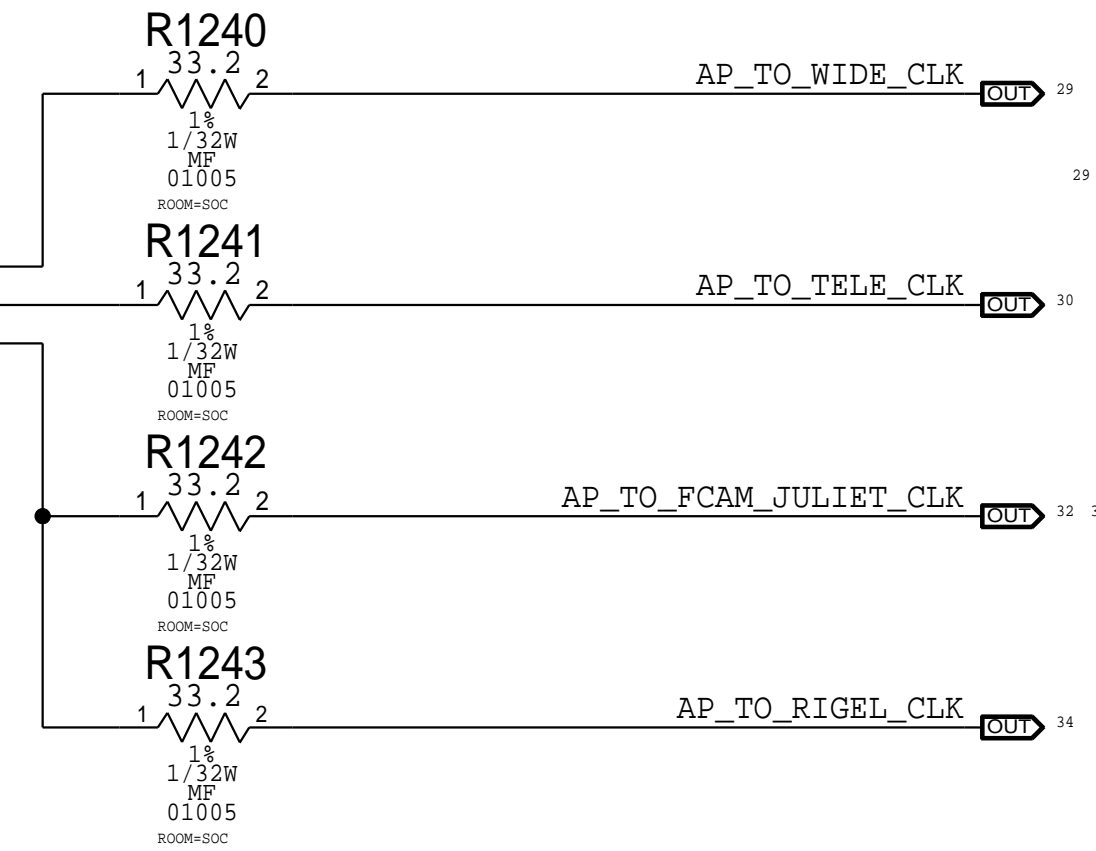
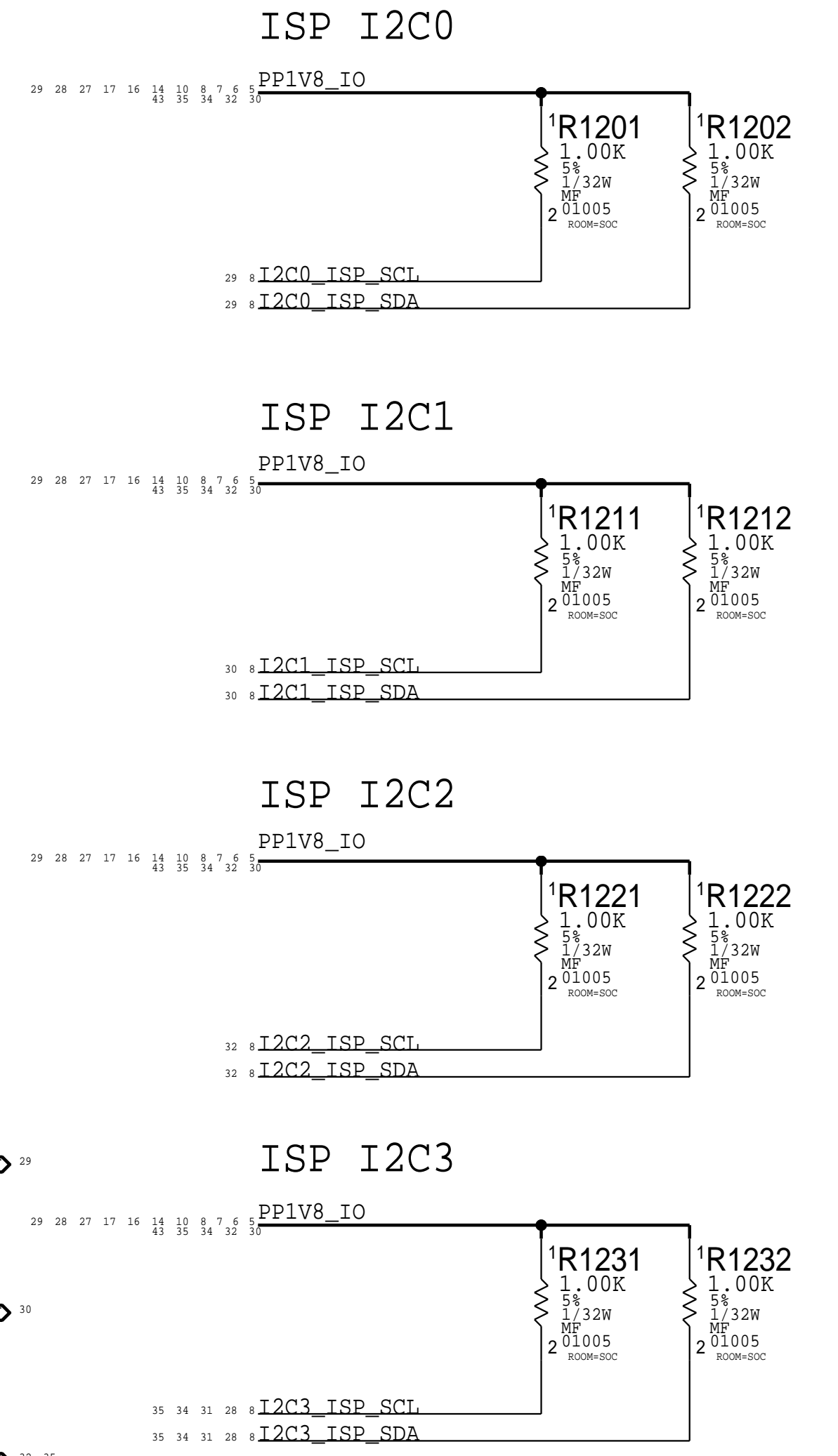
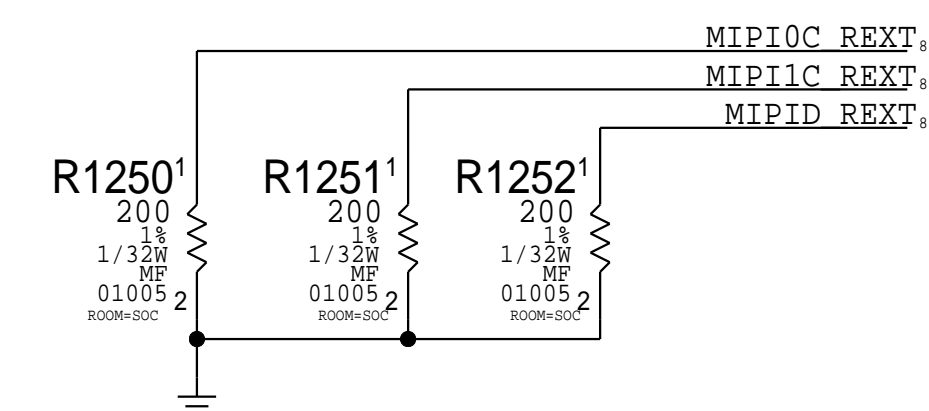
1.62V - 1.98V @ 10mA MAX
PPIV8_IO



U1000
TMIT78B0-C4
NLCSP
SYM 3 OF 16

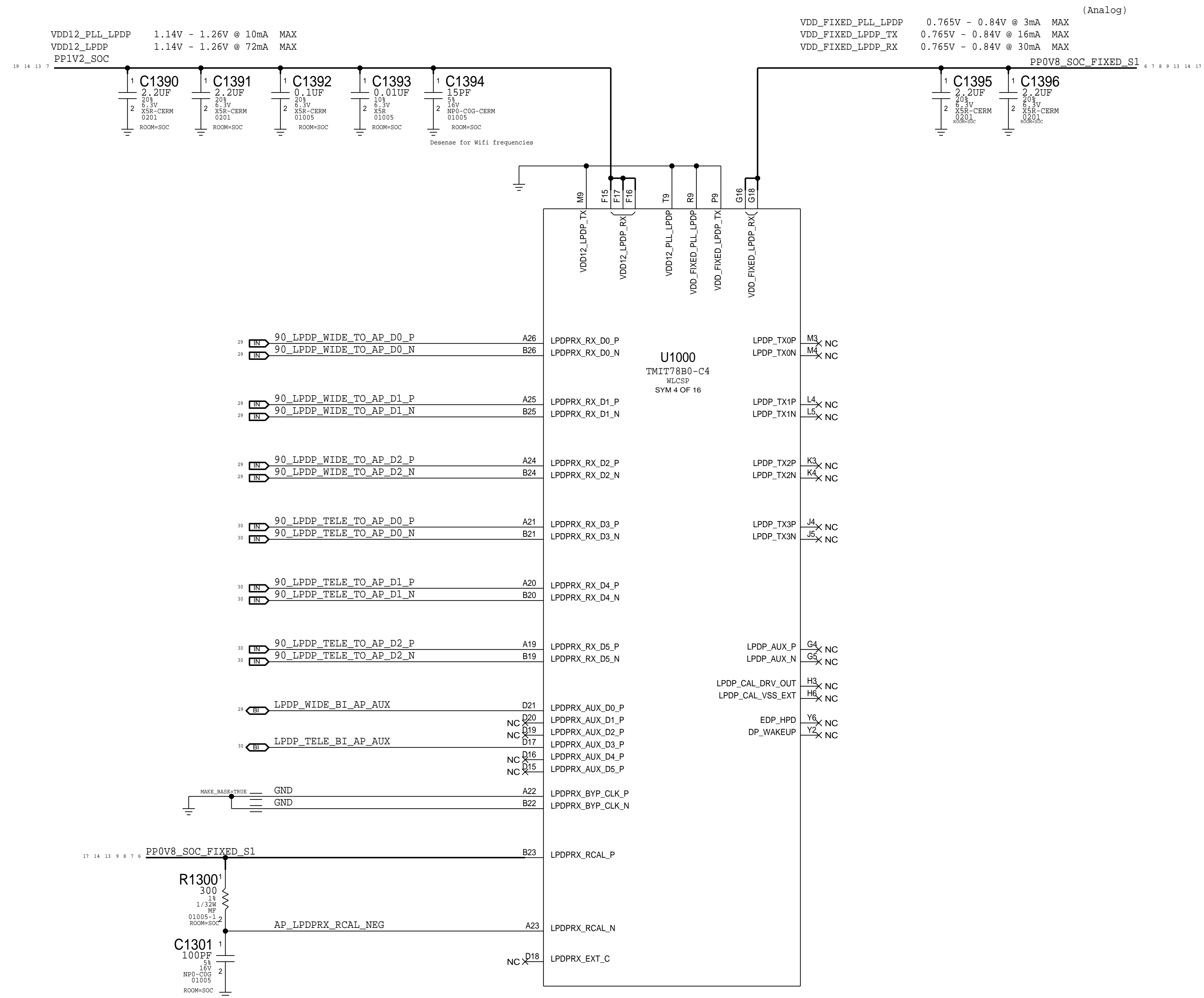


MIPI Reference



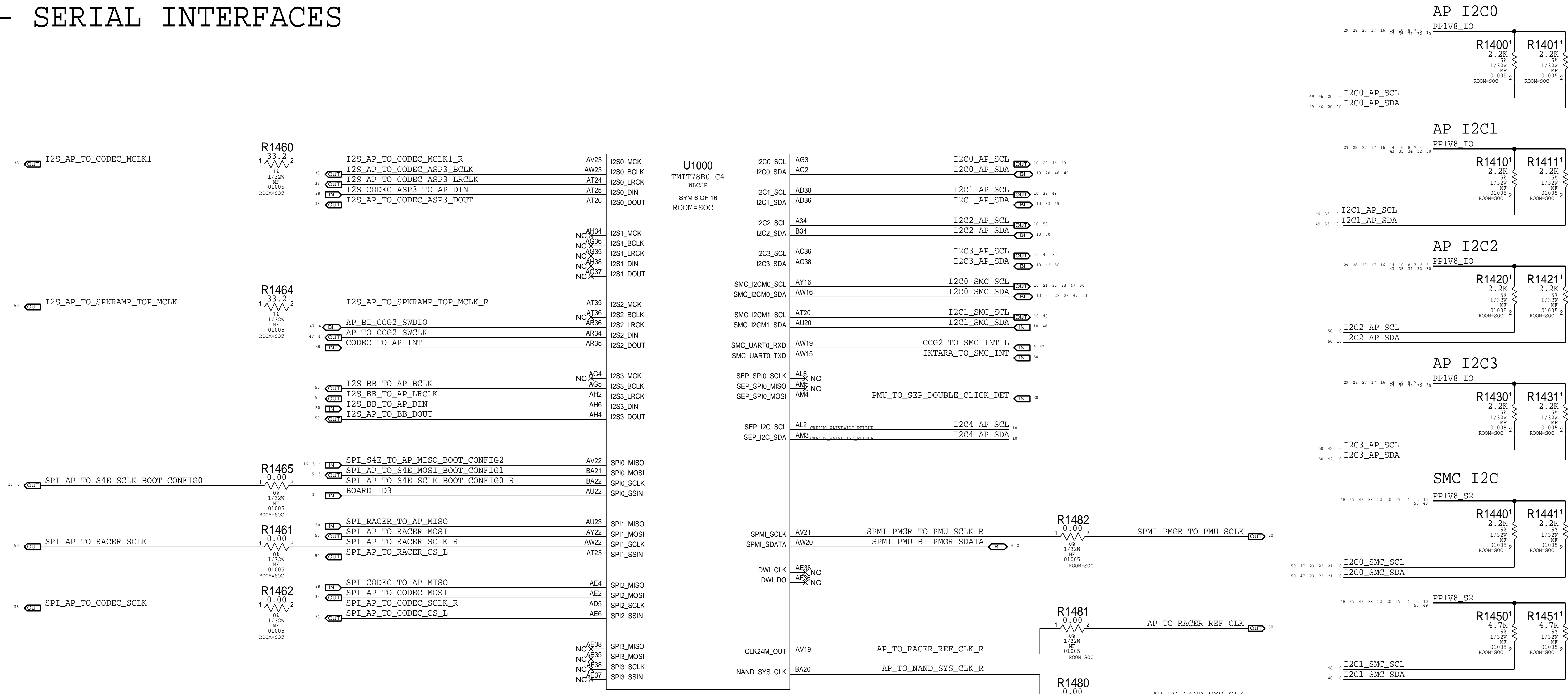
PAGE TITLE		
SOC: MIPI & ISP		
	DRAWING NUMBER	051-02221
	REVISION	9.0.0
NOTICE OF PROPRIETARY PROPERTY: THE INFORMATION CONTAINED HEREIN IS THE PROPRIETARY PROPERTY OF APPLE INC. THE POSSESSOR AGREES TO THE FOLLOWING: I TO MAINTAIN THIS DOCUMENT IN CONFIDENCE II NOT TO REPRODUCE OR COPY IT III NOT TO REVEAL OR PUBLISH IT IN WHOLE OR PART IV ALL RIGHTS RESERVED	BRANCH	evt-1
	PAGE	12 OF 80
	SHEET	8 OF 51

SOC - LPDP

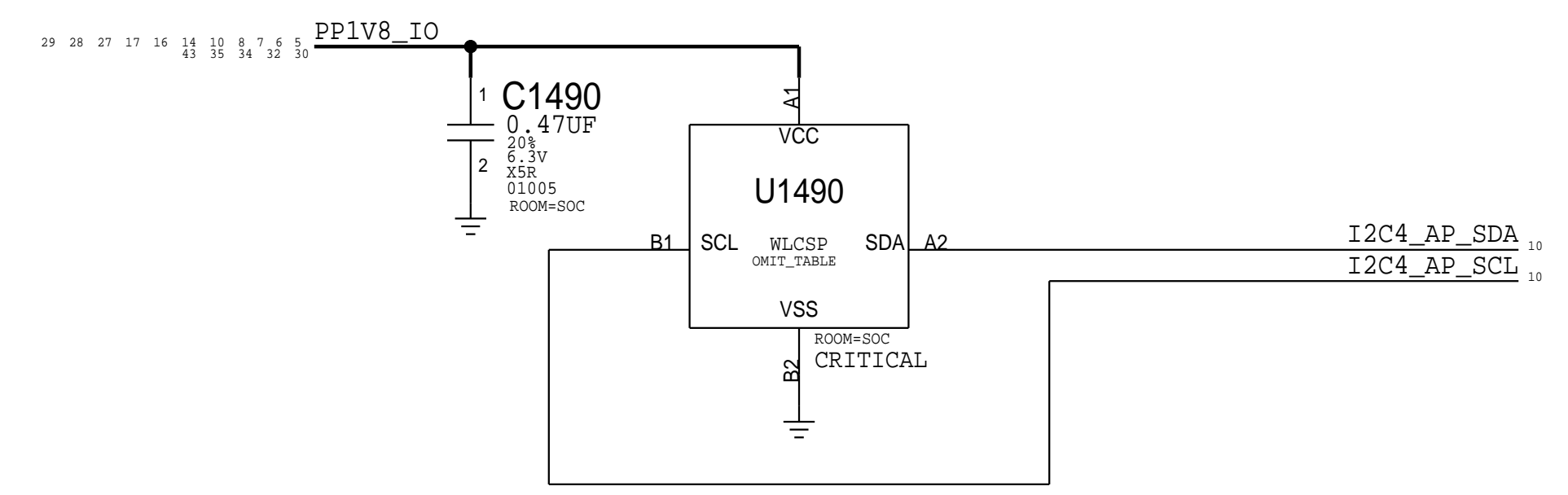


PAGE TITLE			SOC: LPDP		
Apple Inc.	DRAWING NUMBER	051-02221	SIZE	D	
	REVISION	9.0.0			
NOTICE OF PROPRIETARY PROPERTY: THE INFORMATION CONTAINED HEREIN IS THE PROPRIETARY PROPERTY OF APPLE INC. THE POSSESSOR AGREES TO THE FOLLOWING: I TO MAINTAIN THIS DOCUMENT IN CONFIDENCE II NOT TO REPRODUCE OR COPY IT III NOT TO REVEAL OR PUBLISH IT IN WHOLE OR PART IV ALL RIGHTS RESERVED			BRANCH	evt-1	
			PAGE	13 OF 80	
			SHEET	9 OF 51	

SOC - SERIAL INTERFACES



SPI: Route as Daisy-Chain. No T's Allowed
Place series terminations close to SoC Pins

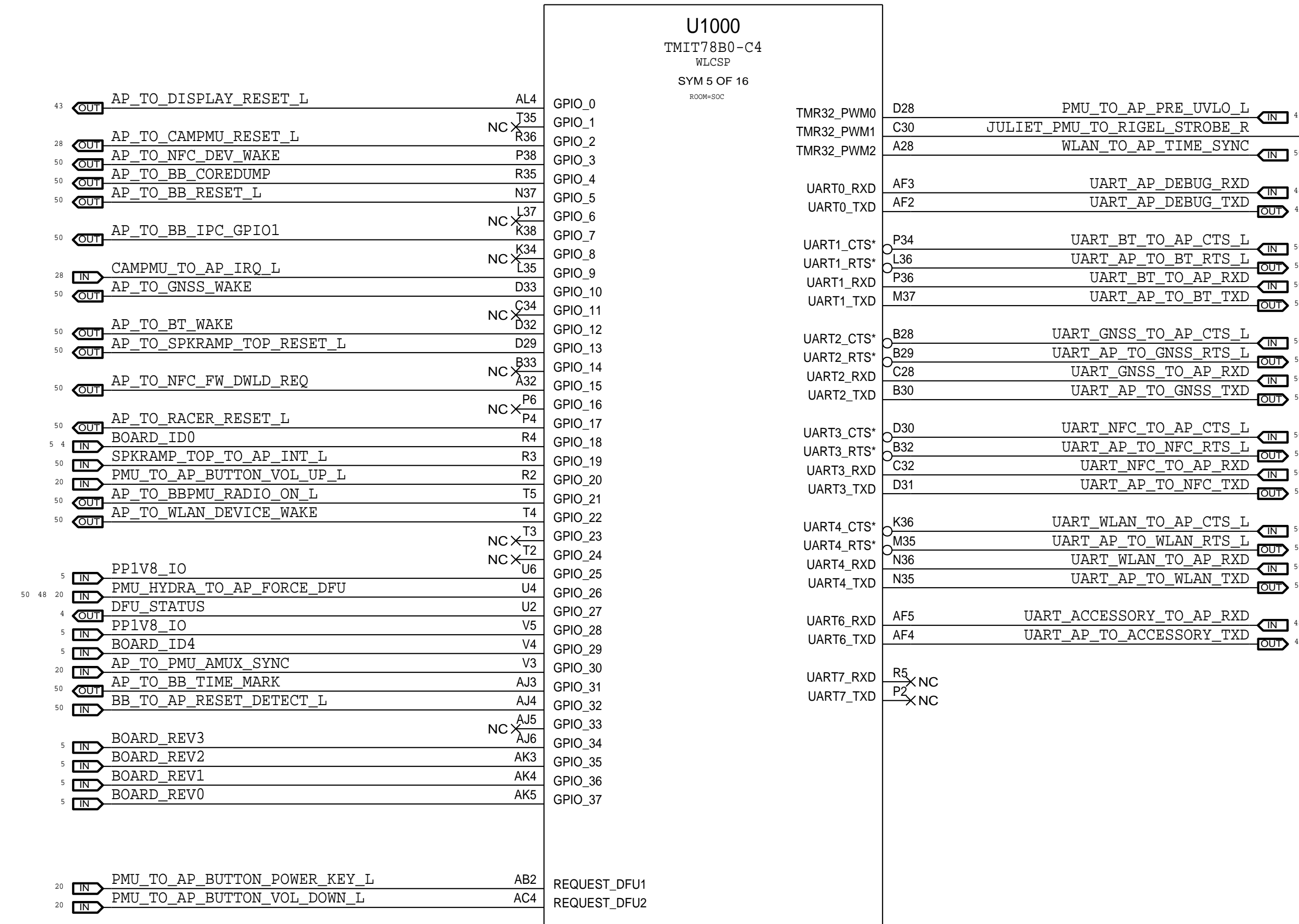


PART#	QTY	DESCRIPTION	REFERENCE DESIGNATOR(S)	CRITICAL	BOM OPTION
335800234	1	WLCSP	U1490	CRITICAL	COMMON

PART NUMBER	ALTERNATE FOR PART NUMBER	BOM OPTION	REF DES	COMMENTS:
335800233	335800234	BOM_TABLE_ALTS	U1490	U1490

PAGE TITLE		SOC: Serial	
		DRAWING NUMBER	051-02221
		REVISION	9.0.0
NOTICE OF PROPRIETARY PROPERTY: THE INFORMATION CONTAINED HEREIN IS THE PROPRIETARY PROPERTY OF APPLE INC. THE POSSESSOR AGREES TO THE FOLLOWING: I TO MAINTAIN THIS DOCUMENT IN CONFIDENCE I NOT TO REPRODUCE OR COPY IT I NOT TO REVEAL OR PUBLISH IT IN WHOLE OR PART I ALL RIGHTS RESERVED		BRANCH	evt-1
		PAGE	14 OF 80
		SHEET	10 OF 51

SOC - GPIO INTERFACES

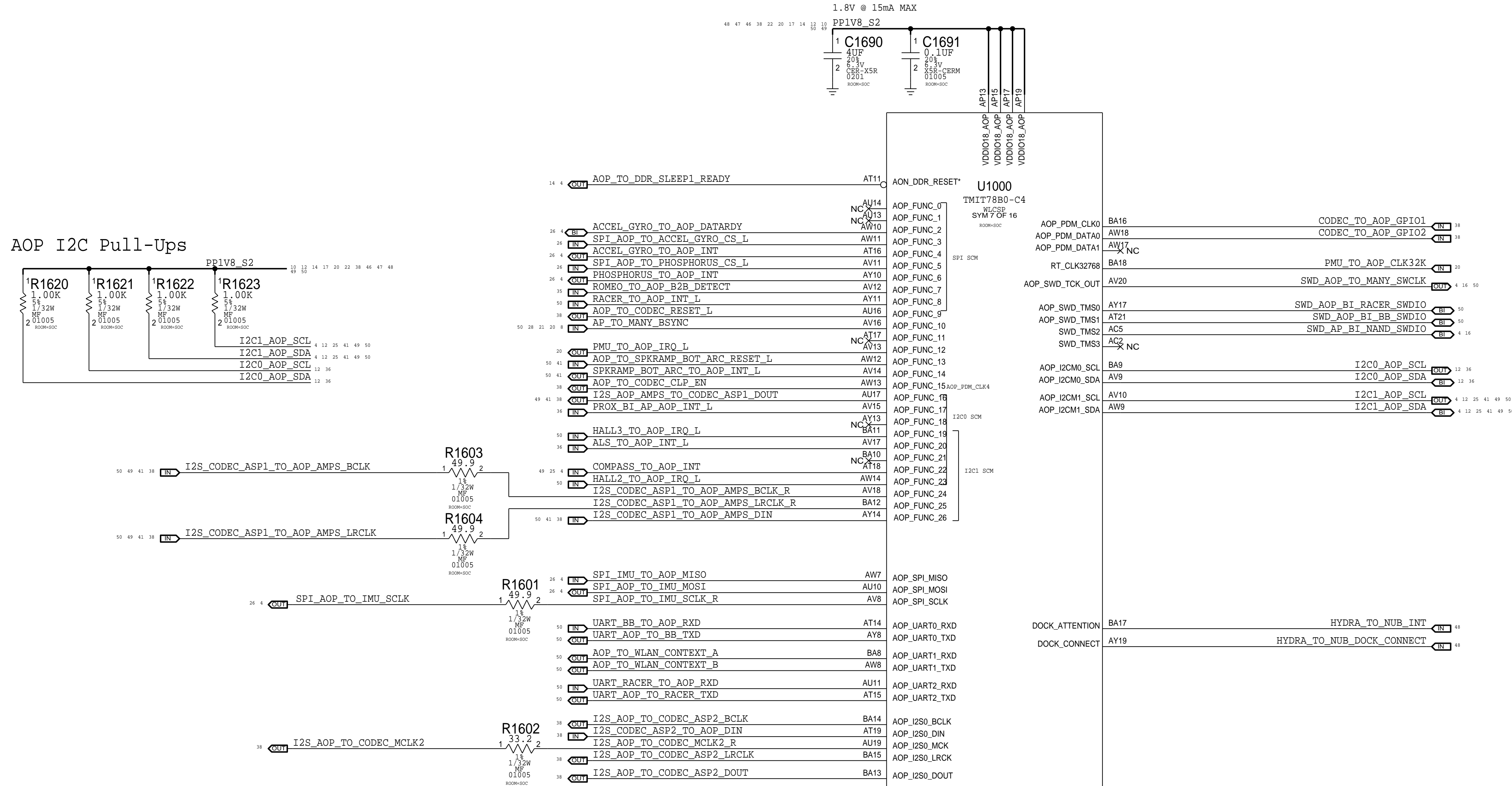


NOSTUFF
R1500
200K
1 2 3 4
1/2W
01005
ROOM=SOC

JULIET_PMU_TO_RIGEL_STROBE

PAGE TITLE		
SOC: GPIO & UART		
Apple Inc.	DRAWING NUMBER	051-02221
	REVISION	9.0.0
NOTICE OF PROPRIETARY PROPERTY: THE INFORMATION CONTAINED HEREIN IS THE PROPRIETARY PROPERTY OF APPLE INC. THE POSSESSOR AGREES TO THE FOLLOWING: I TO MAINTAIN THIS DOCUMENT IN CONFIDENCE II NOT TO REPRODUCE OR COPY IT III NOT TO REVEAL OR PUBLISH IT IN WHOLE OR PART IV ALL RIGHTS RESERVED	BRANCH	evt-1
	PAGE	15 OF 80
	SHEET	11 OF 51

SOC - AOP



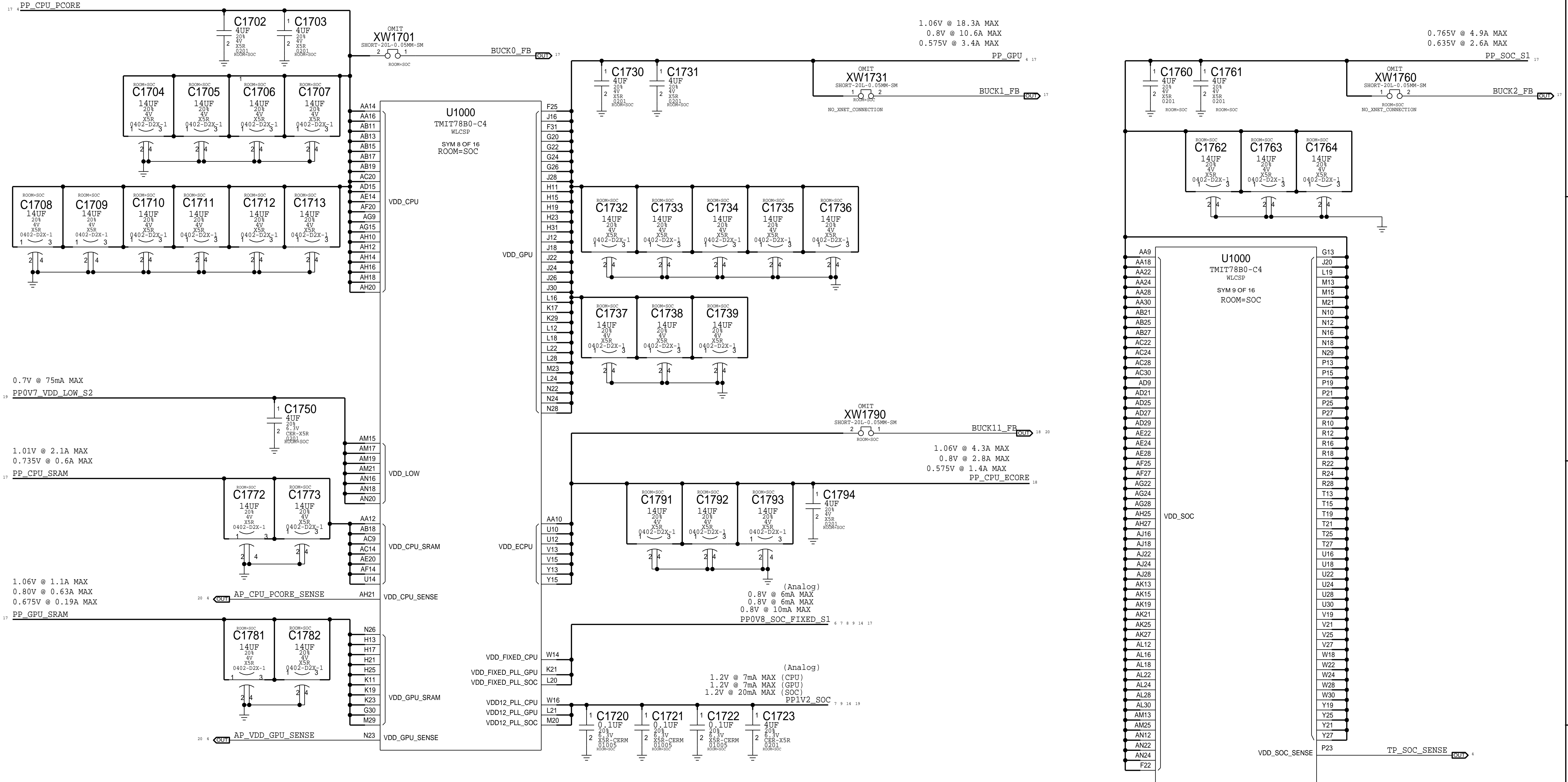
PAGE TITLE			SOC: AOP		
Apple Inc.	DRAWING NUMBER	051-02221	SIZE	D	
	REVISION	9.0.0			
NOTICE OF PROPRIETARY PROPERTY: THE INFORMATION CONTAINED HEREIN IS THE PROPRIETARY PROPERTY OF APPLE INC. THE POSSESSOR AGREES TO THE FOLLOWING: I TO MAINTAIN THIS DOCUMENT IN CONFIDENCE II NOT TO REPRODUCE OR COPY IT III NOT TO REVEAL OR PUBLISH IT IN WHOLE OR PART IV ALL RIGHTS RESERVED			BRANCH	evt-1	
			PAGE	16 OF 80	
			SHEET	12 OF 51	

SOC - CPU, GPU & SOC RAILS

1.06V @ 11.0A MAX
 0.8V @ 6A MAX
 0.575V @ 2.7A MAX

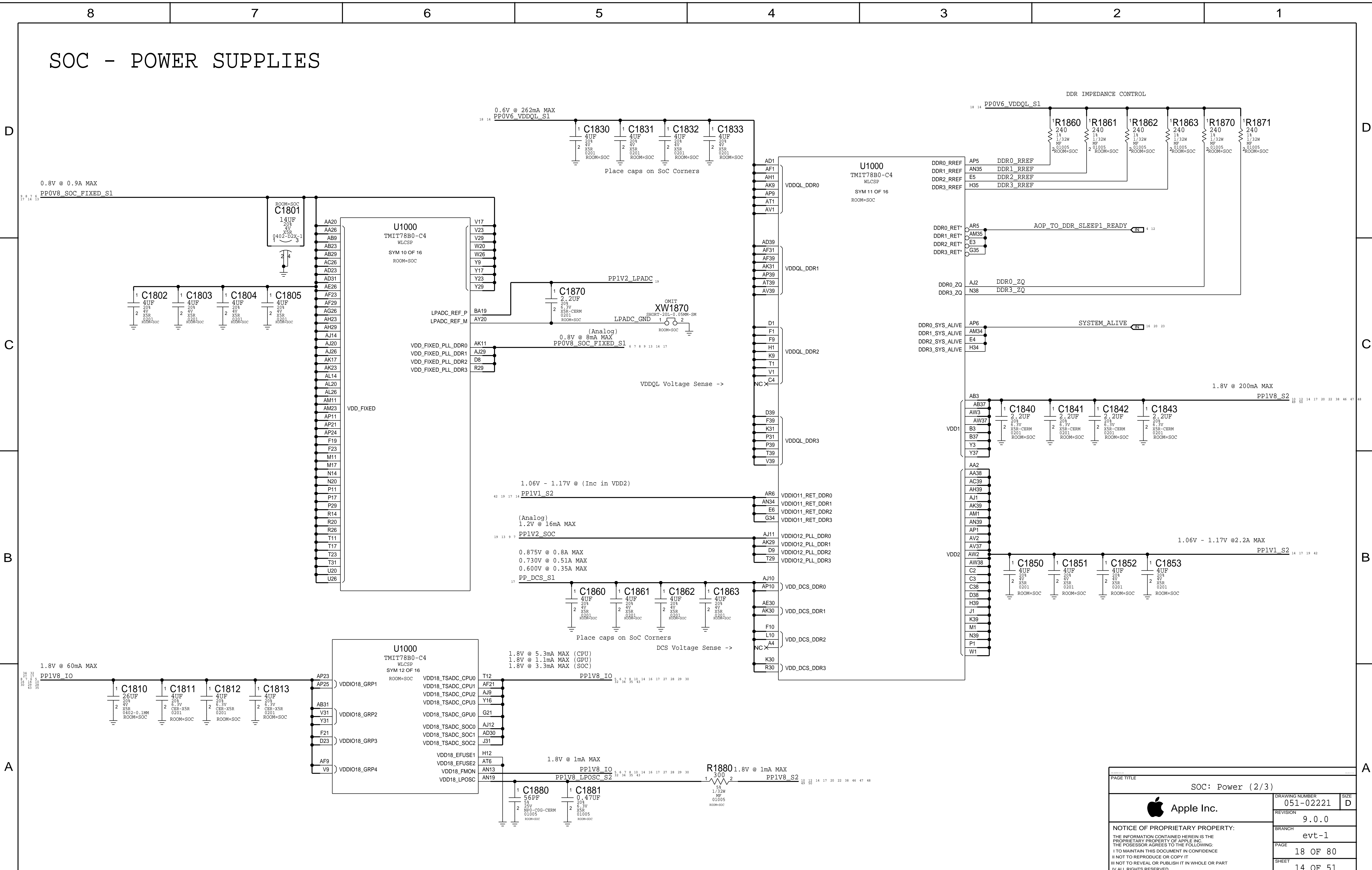
1.06V @ 18.3A MAX
 0.8V @ 10.6A MAX
 0.575V @ 3.4A MAX

0.765V @ 4.9A MAX
 0.635V @ 2.6A MAX



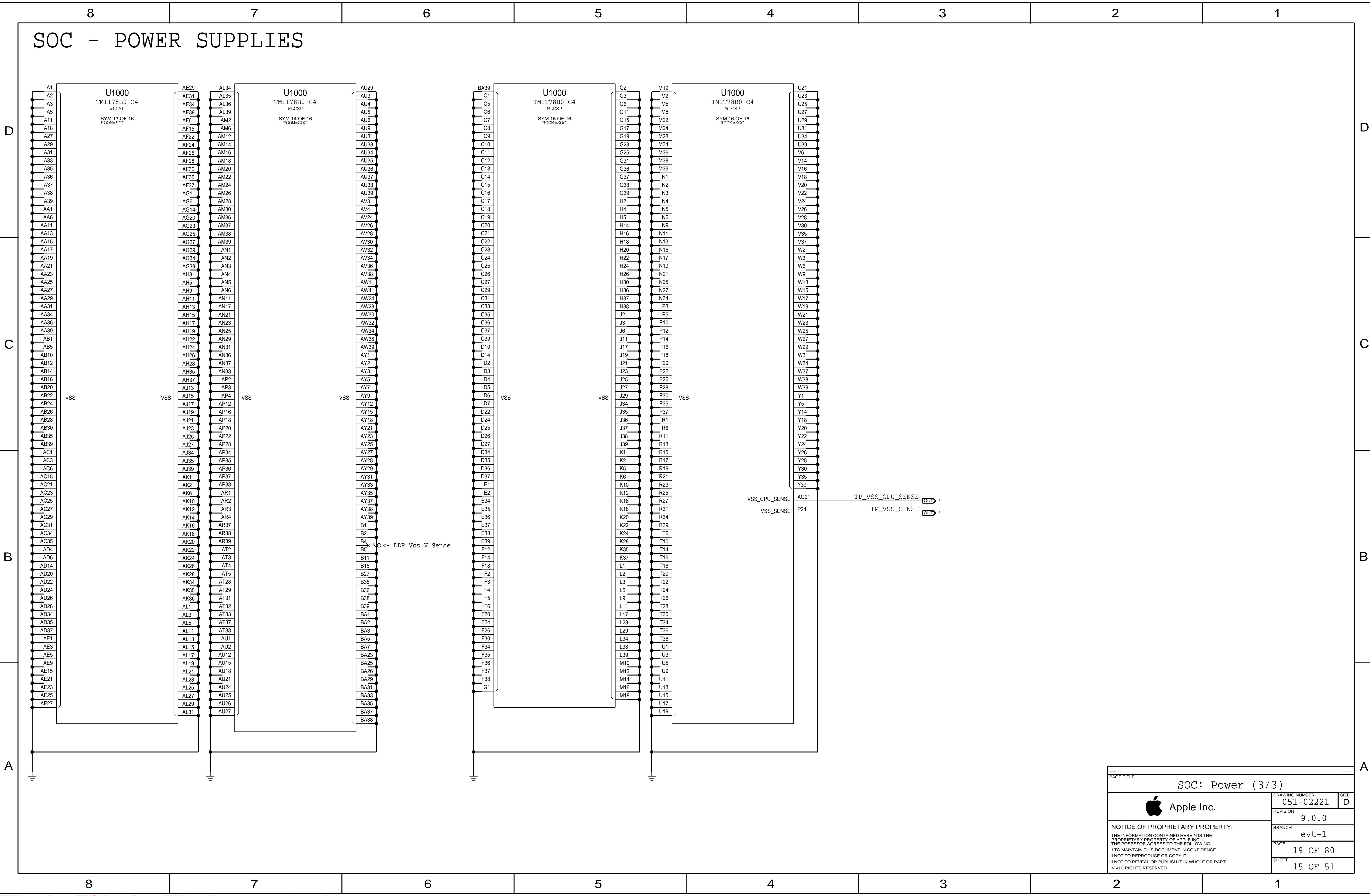
PAGE TITLE		
SOC: Power (1/3)		
Apple Inc.	DRAWING NUMBER	051-02221
	REVISION	9.0.0
NOTICE OF PROPRIETARY PROPERTY: THE INFORMATION CONTAINED HEREIN IS THE PROPRIETARY PROPERTY OF APPLE INC. THE POSSESSOR AGREES TO THE FOLLOWING: I TO MAINTAIN THIS DOCUMENT IN CONFIDENCE II NOT TO REPRODUCE OR COPY IT III NOT TO REVEAL OR PUBLISH IT IN WHOLE OR PART IV ALL RIGHTS RESERVED	BRANCH	evt-1
	PAGE	17 OF 80
	SHEET	13 OF 51
	SIZE	D

SOC - POWER SUPPLIES



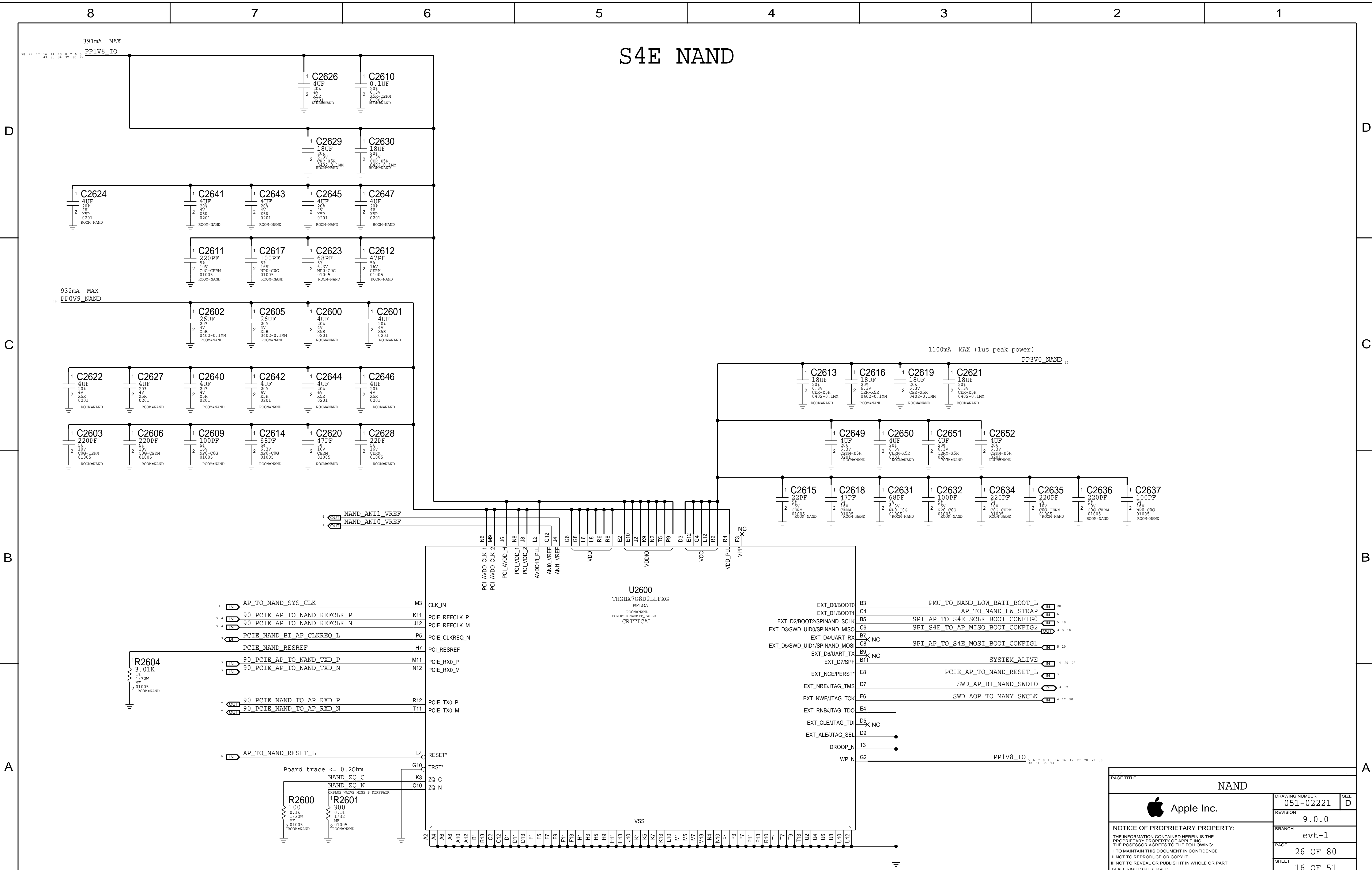
PAGE TITLE		
SOC: Power (2/3)		
	DRAWING NUMBER	051-02221
	REVISION	9.0.0
NOTICE OF PROPRIETARY PROPERTY: THE INFORMATION CONTAINED HEREIN IS THE PROPRIETARY PROPERTY OF APPLE INC. THE POSSESSOR AGREES TO THE FOLLOWING: I TO MAINTAIN THIS DOCUMENT IN CONFIDENCE I NOT TO REPRODUCE OR COPY IT I NOT TO REVEAL OR PUBLISH IT IN WHOLE OR PART I ALL RIGHTS RESERVED	BRANCH	evt-1
	PAGE	18 OF 80
	SHEET	14 OF 51

SOC - POWER SUPPLIES

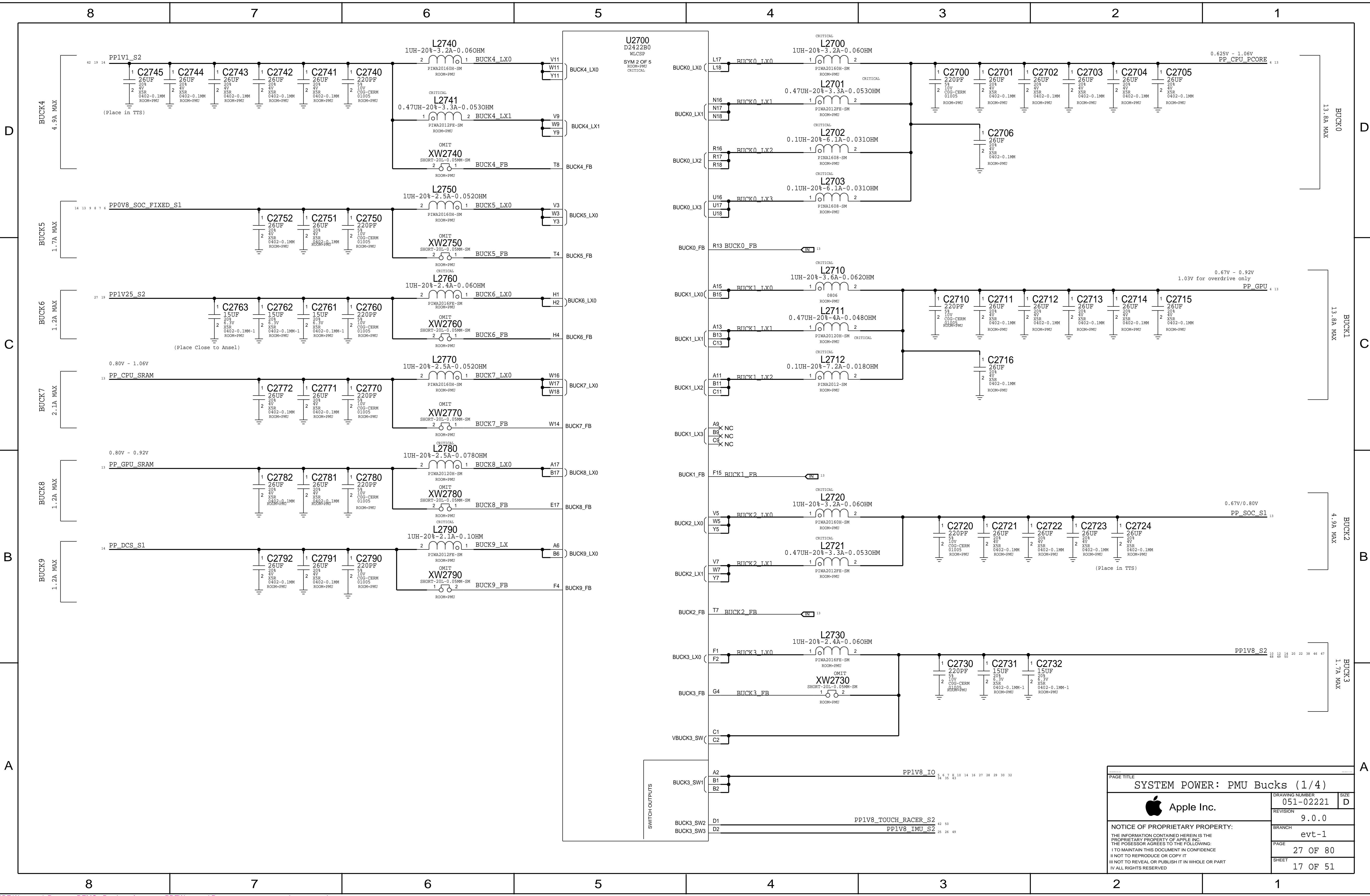


PAGE TITLE		
SOC: Power (3/3)		
	DRAWING NUMBER	051-02221
	REVISION	9.0.0
NOTICE OF PROPRIETARY PROPERTY:		BRANCH
<small>THE INFORMATION CONTAINED HEREIN IS THE PROPRIETARY PROPERTY OF APPLE INC. THE POSSESSOR AGREES TO THE FOLLOWING:</small> I TO MAINTAIN THIS DOCUMENT IN CONFIDENCE II NOT TO REPRODUCE OR COPY IT III NOT TO REVEAL OR PUBLISH IT IN WHOLE OR PART IV ALL RIGHTS RESERVED		evt-1 PAGE 19 OF 80 SHEET 15 OF 51

S4E NAND



PAGE TITLE		
NAND		
	DRAWING NUMBER	051-02221
	REVISION	9.0.0
NOTICE OF PROPRIETARY PROPERTY: THE INFORMATION CONTAINED HEREIN IS THE PROPRIETARY PROPERTY OF APPLE INC. THE POSSESSOR AGREES TO THE FOLLOWING: I TO MAINTAIN THIS DOCUMENT IN CONFIDENCE II NOT TO REPRODUCE OR COPY IT III NOT TO REVEAL OR PUBLISH IT IN WHOLE OR PART IV ALL RIGHTS RESERVED	BRANCH	evt-1
	PAGE	26 OF 80
	SHEET	16 OF 51



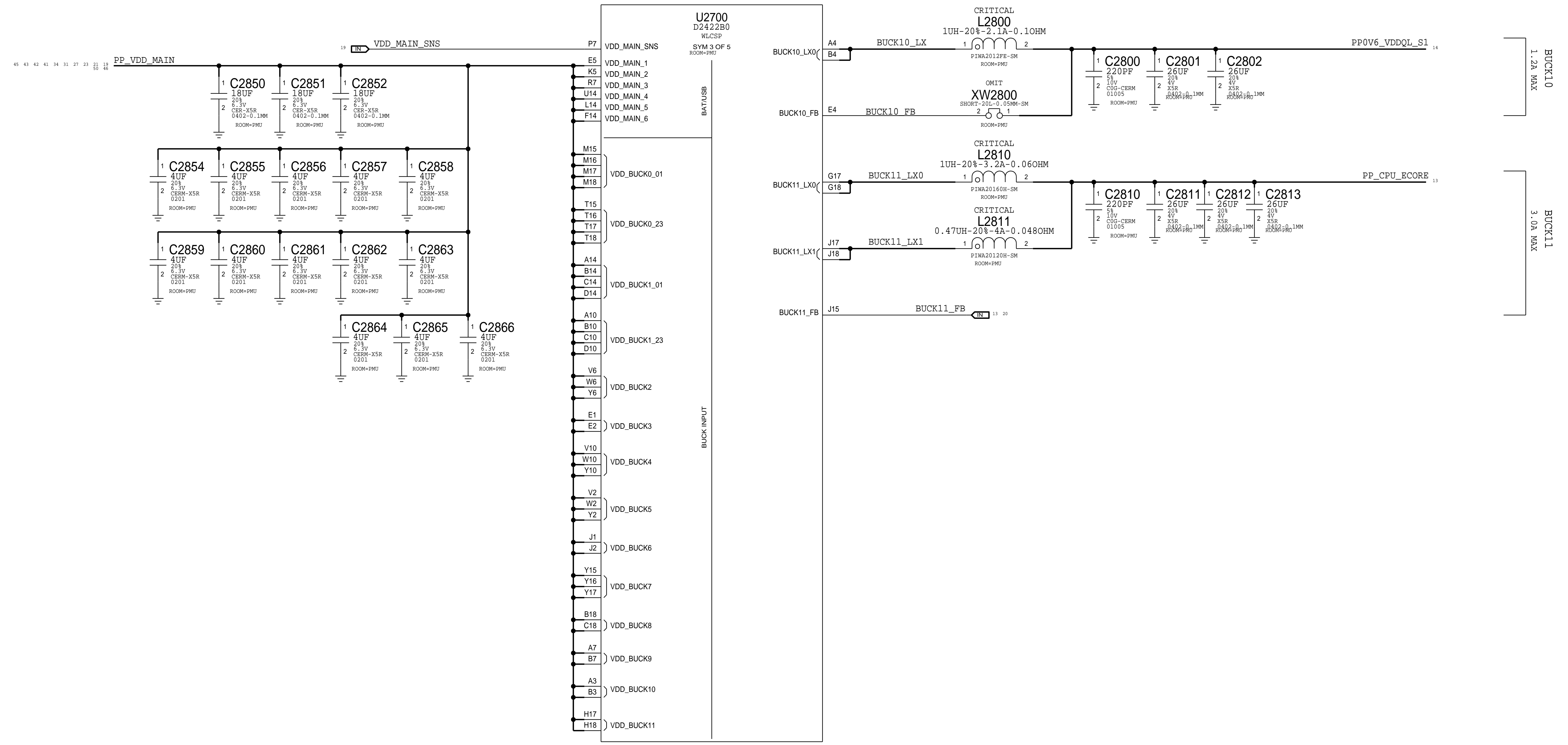
PAGE TITLE		
SYSTEM POWER: PMU Bucks (1/4)		
DRAWING NUMBER		SIZE
051-02221		D
REVISION		
9.0.0		
BRANCH		
evt-1		
PAGE		
27 OF 80		
SHEET		
17 OF 51		

D

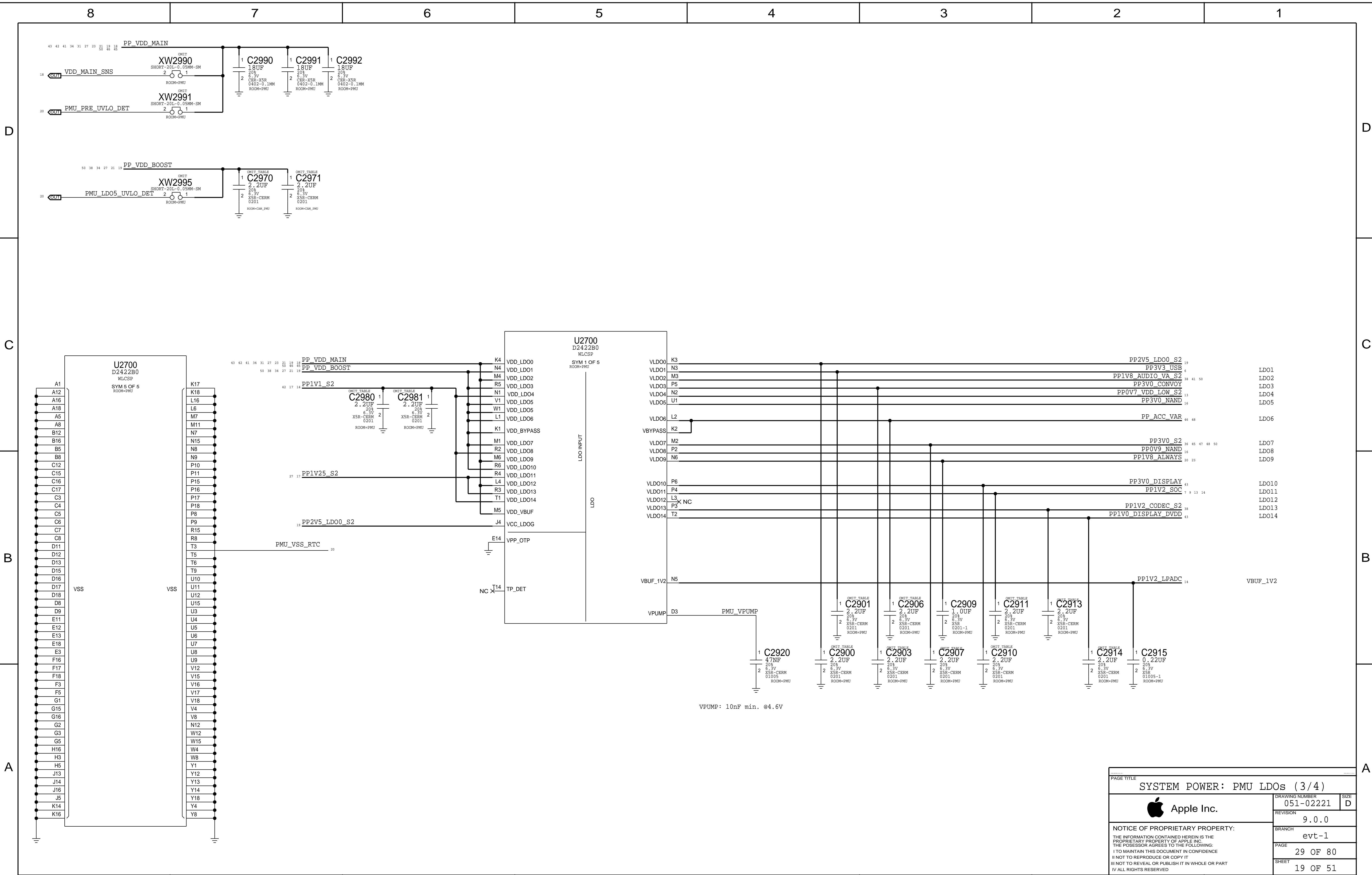
C

B

A

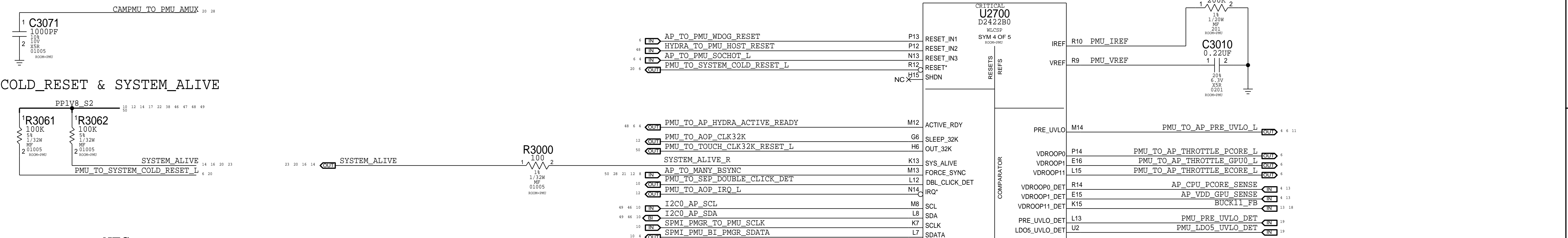


PAGE TITLE		
SYSTEM POWER: PMU Bucks (2/4)		
	DRAWING NUMBER	051-02221
	REVISION	9.0.0
NOTICE OF PROPRIETARY PROPERTY:		
THE INFORMATION CONTAINED HEREIN IS THE PROPRIETARY PROPERTY OF APPLE INC. THE POSSESSOR AGREES TO THE FOLLOWING: I TO MAINTAIN THIS DOCUMENT IN CONFIDENCE II NOT TO REPRODUCE OR COPY IT III NOT TO REVEAL OR PUBLISH IT IN WHOLE OR PART IV ALL RIGHTS RESERVED		
BRANCH	evt-1	
PAGE	28 OF 80	
SHEET	18 OF 51	

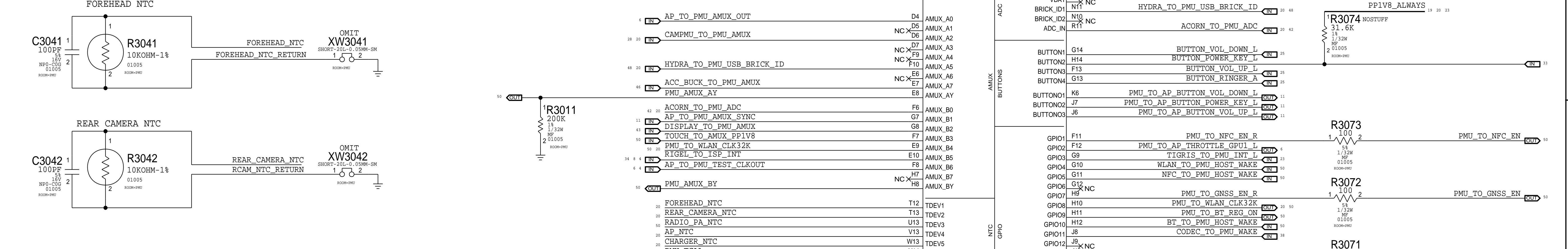


PAGE TITLE		
SYSTEM POWER: PMU LDOs (3/4)		
	DRAWING NUMBER	051-02221
	REVISION	9.0.0
NOTICE OF PROPRIETARY PROPERTY: THE INFORMATION CONTAINED HEREIN IS THE PROPRIETARY PROPERTY OF APPLE INC. THE POSSESSOR AGREES TO THE FOLLOWING: I TO MAINTAIN THIS DOCUMENT IN CONFIDENCE II NOT TO REPRODUCE OR COPY IT III NOT TO REVEAL OR PUBLISH IT IN WHOLE OR PART IV ALL RIGHTS RESERVED	BRANCH	evt-1
	PAGE	29 OF 80
	SHEET	19 OF 51

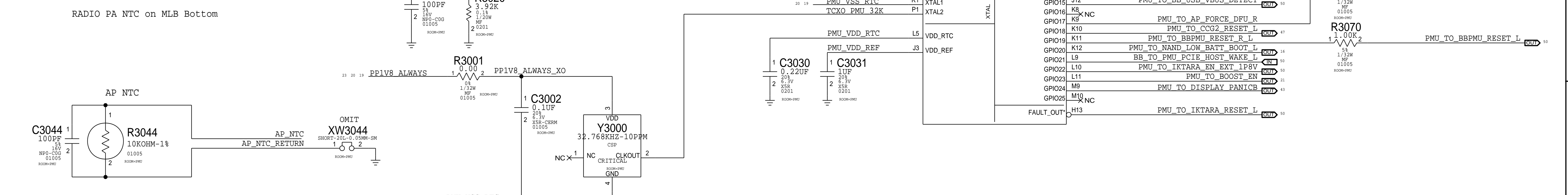
D Ansel AMUX



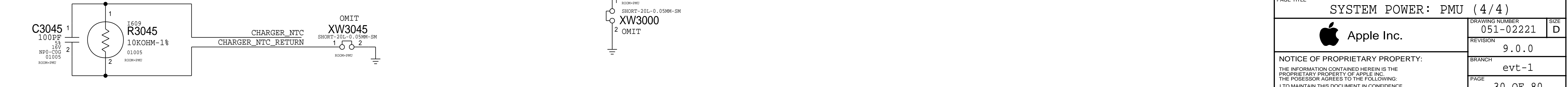
C NTCs



B



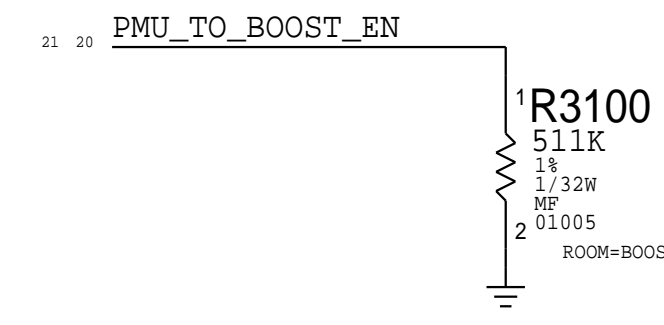
A



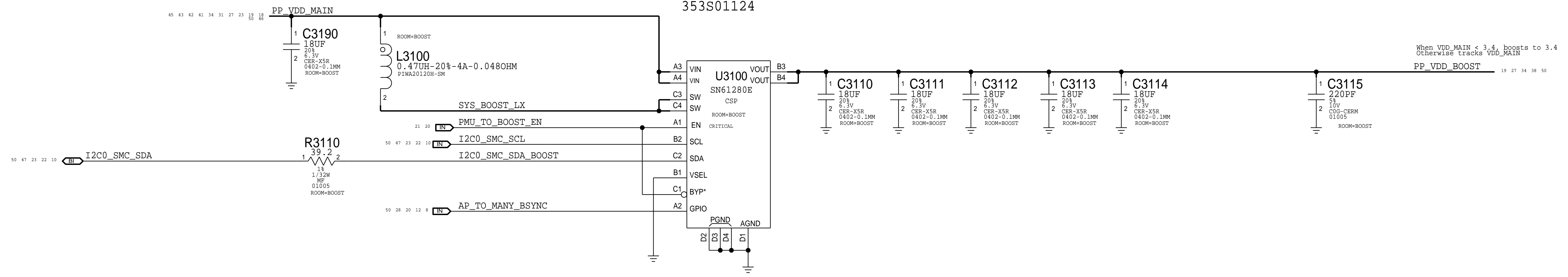
NOTE:100PF CAPS ARE THE SAMPLING CAPS FOR PMU ADC

PAGE TITLE		
SYSTEM POWER: PMU (4/4)		
Apple Inc.	DRAWING NUMBER	051-02221
	REVISION	9.0.0
NOTICE OF PROPRIETARY PROPERTY:		BRANCH
THE INFORMATION CONTAINED HEREIN IS THE PROPRIETARY PROPERTY OF APPLE INC. THE POSSESSOR AGREES TO THE FOLLOWING:		evt-1
I TO MAINTAIN THIS DOCUMENT IN CONFIDENCE		PAGE
I NOT TO REPRODUCE OR COPY IT		30 OF 80
I NOT TO REVEAL OR PUBLISH IT IN WHOLE OR PART		SHEET
I V ALL RIGHTS RESERVED		20 OF 51

Boost Enable Pull



BOOST
353S01124

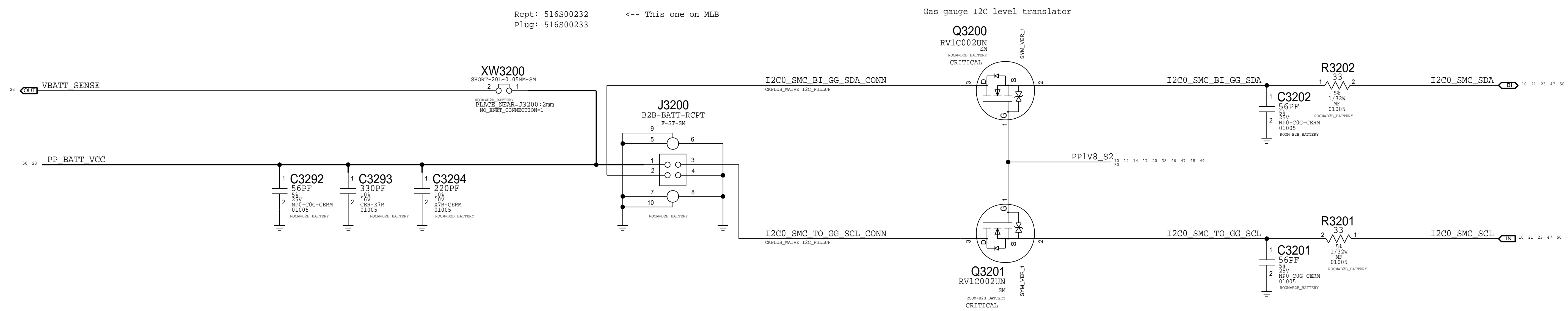


When VDD_MAIN < 3.4, boosts to 3.4
Otherwise tracks VDD_MAIN

PAGE TITLE		
SYSTEM POWER: Boost		
	DRAWING NUMBER	051-02221
	REVISION	9.0.0
NOTICE OF PROPRIETARY PROPERTY:		
THE INFORMATION CONTAINED HEREIN IS THE PROPRIETARY PROPERTY OF APPLE INC. THE POSSESSOR AGREES TO THE FOLLOWING: I TO MAINTAIN THIS DOCUMENT IN CONFIDENCE II NOT TO REPRODUCE OR COPY IT III NOT TO REVEAL OR PUBLISH IT IN WHOLE OR PART IV ALL RIGHTS RESERVED		
BRANCH	evt-1	
PAGE	31 OF 80	
SHEET	21 OF 51	

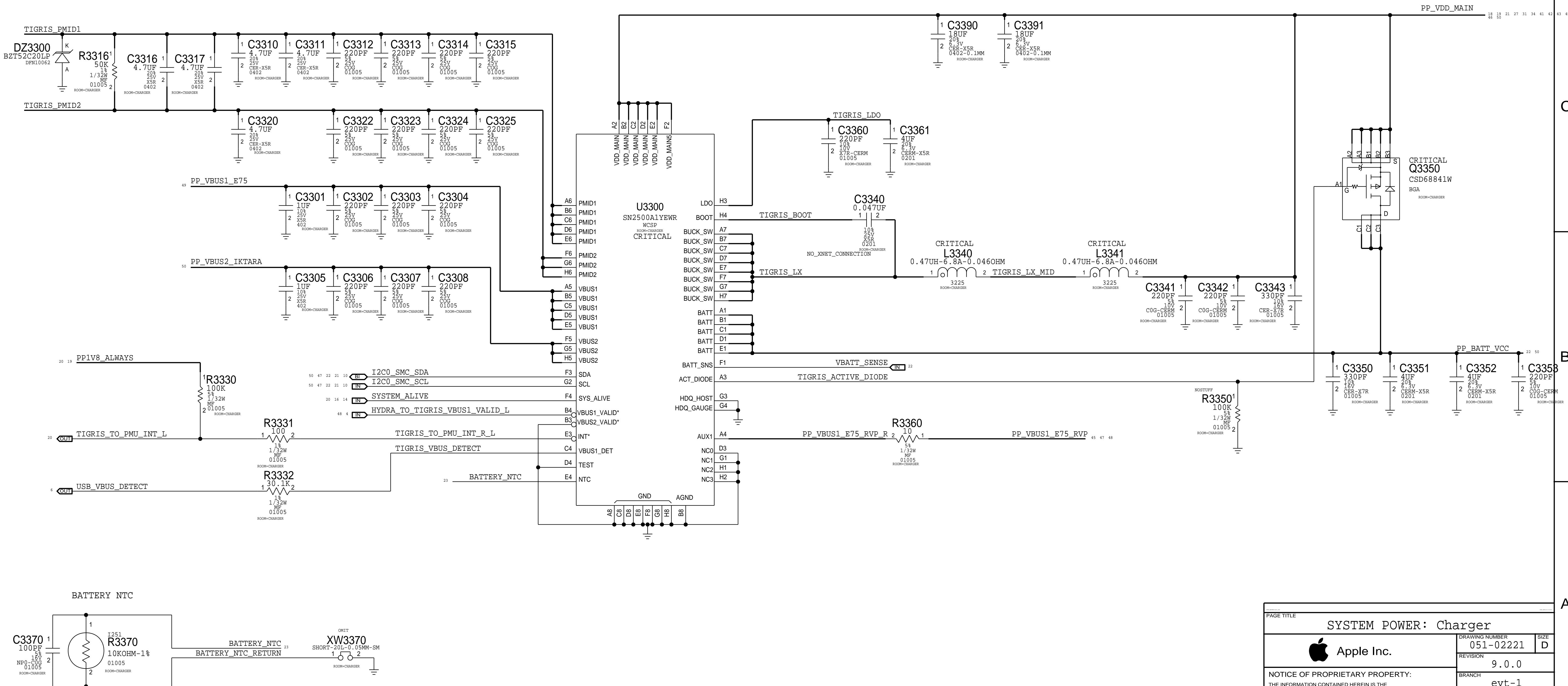
BATTERY CONNECTOR

Rcpt: 516S00232 <-- This one on MLB
Plug: 516S00233



PAGE TITLE		
SYSTEM POWER: B2B Battery		
	DRAWING NUMBER	051-02221
	REVISION	9.0.0
NOTICE OF PROPRIETARY PROPERTY: THE INFORMATION CONTAINED HEREIN IS THE PROPRIETARY PROPERTY OF APPLE INC. THE POSSESSOR AGREES TO THE FOLLOWING: I TO MAINTAIN THIS DOCUMENT IN CONFIDENCE II NOT TO REPRODUCE OR COPY IT III NOT TO REVEAL OR PUBLISH IT IN WHOLE OR PART IV ALL RIGHTS RESERVED	BRANCH	evt-1
	PAGE	32 OF 80
	SHEET	22 OF 51

TIGRIS2 CHARGER



PAGE TITLE		
SYSTEM POWER: Charger		
	DRAWING NUMBER	051-02221
	REVISION	9.0.0
NOTICE OF PROPRIETARY PROPERTY: THE INFORMATION CONTAINED HEREIN IS THE PROPRIETARY PROPERTY OF APPLE INC. THE POSSESSOR AGREES TO THE FOLLOWING: I TO MAINTAIN THIS DOCUMENT IN CONFIDENCE I NOT TO REPRODUCE OR COPY IT I NOT TO REVEAL OR PUBLISH IT IN WHOLE OR PART IV ALL RIGHTS RESERVED	BRANCH	evt-1
	PAGE	33 OF 80
	SHEET	23 OF 51

8

7

6

5

4

3

2

1

D

D

C

C

B

B

A

A

Iktara Components on MLB Bottom

PAGE TITLE			SYSTEM POWER: Iktara		
DRAWING NUMBER		051-02221	SIZE		D
REVISION		9.0.0			
BRANCH		evt-1			
PAGE		34 OF 80			
SHEET		24 OF 51			
NOTICE OF PROPRIETARY PROPERTY: THE INFORMATION CONTAINED HEREIN IS THE PROPRIETARY PROPERTY OF APPLE INC. THE POSSESSOR AGREES TO THE FOLLOWING: I TO MAINTAIN THIS DOCUMENT IN CONFIDENCE II NOT TO REPRODUCE OR COPY IT III NOT TO REVEAL OR PUBLISH IT IN WHOLE OR PART IV ALL RIGHTS RESERVED					

8

7

6

5

4

3

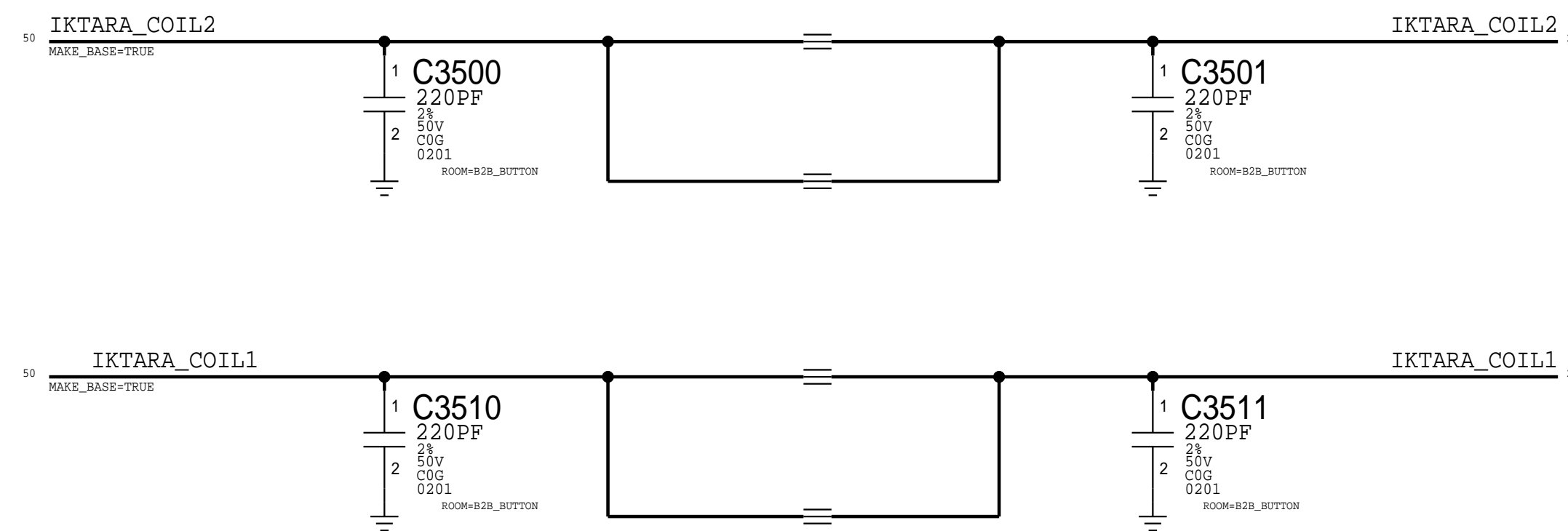
2

1

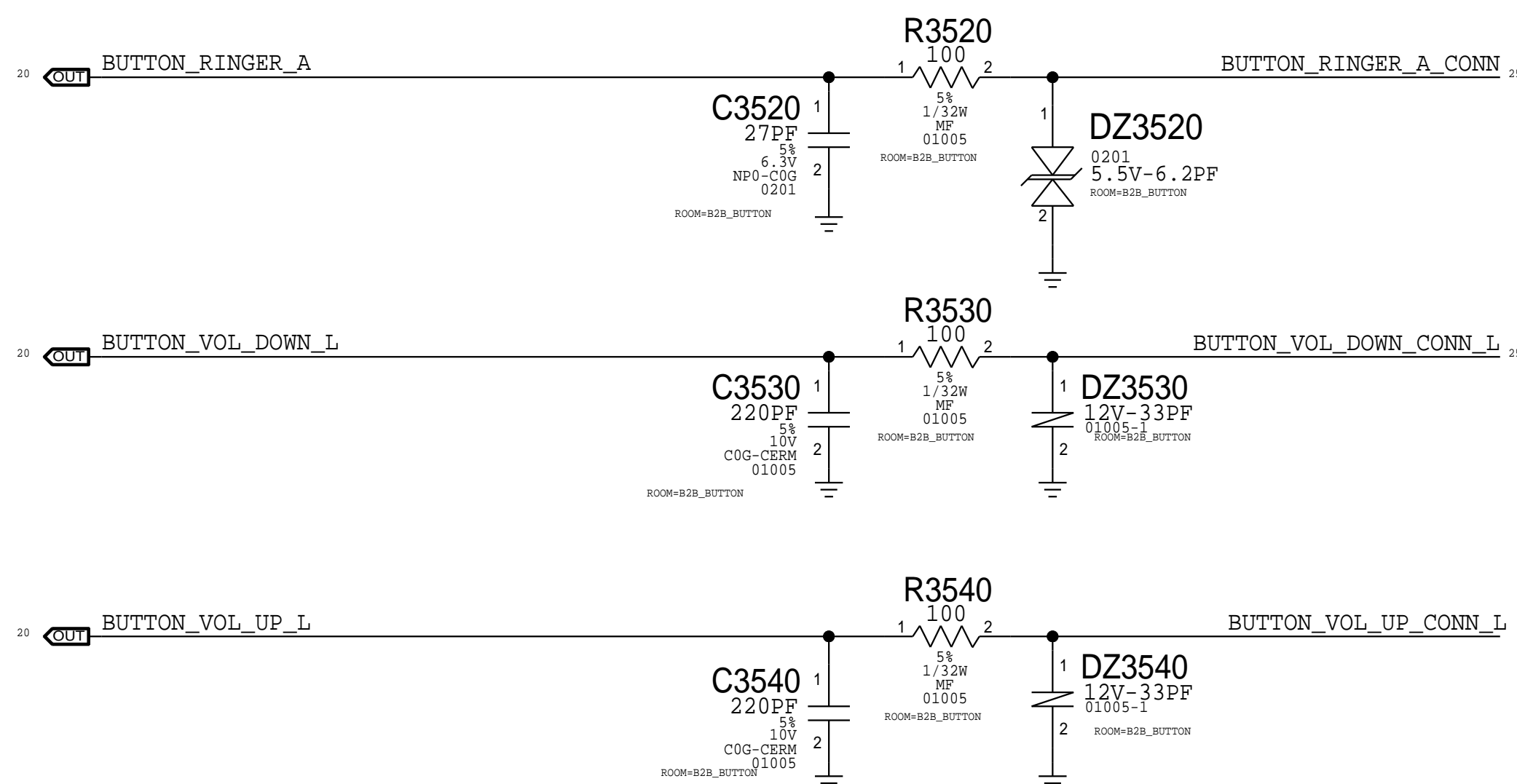
Cyclone + Button Connector

Rcpt: 516S00289 <-- This one on MLB
 Plug: 516S00290

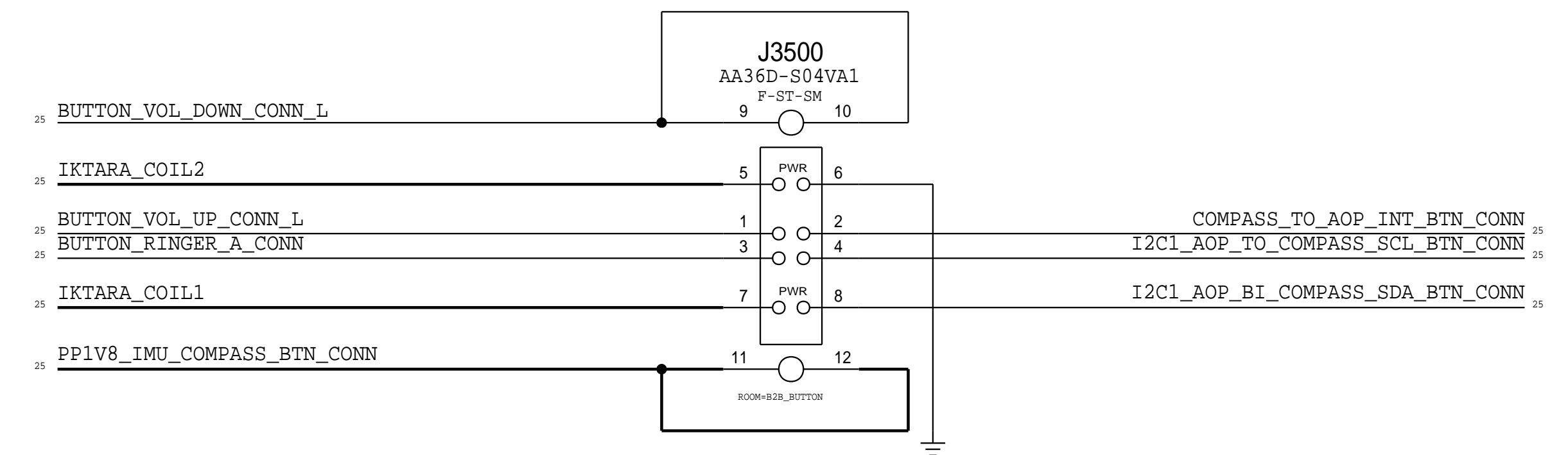
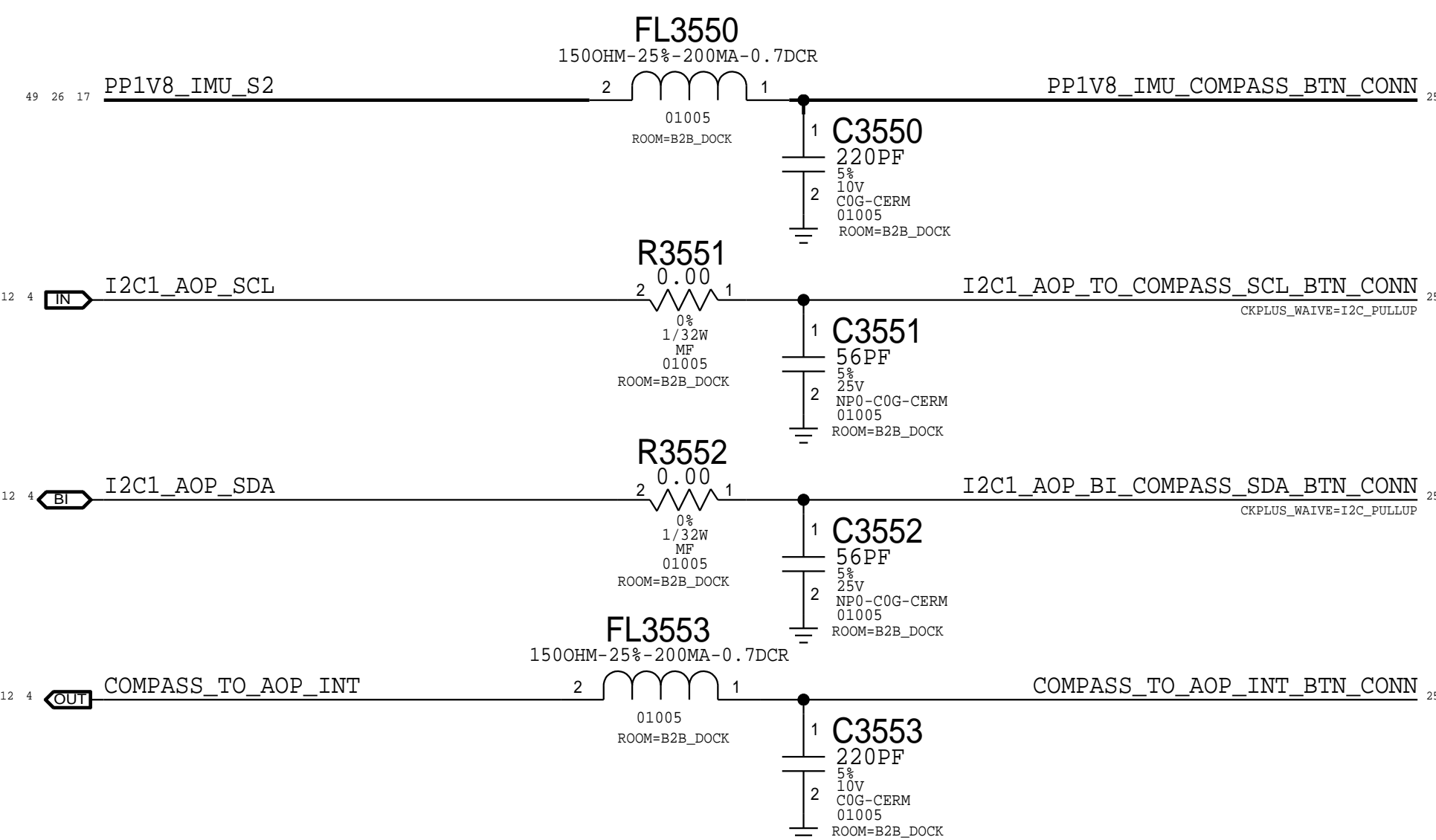
Cyclone Filtering



BUTTONS



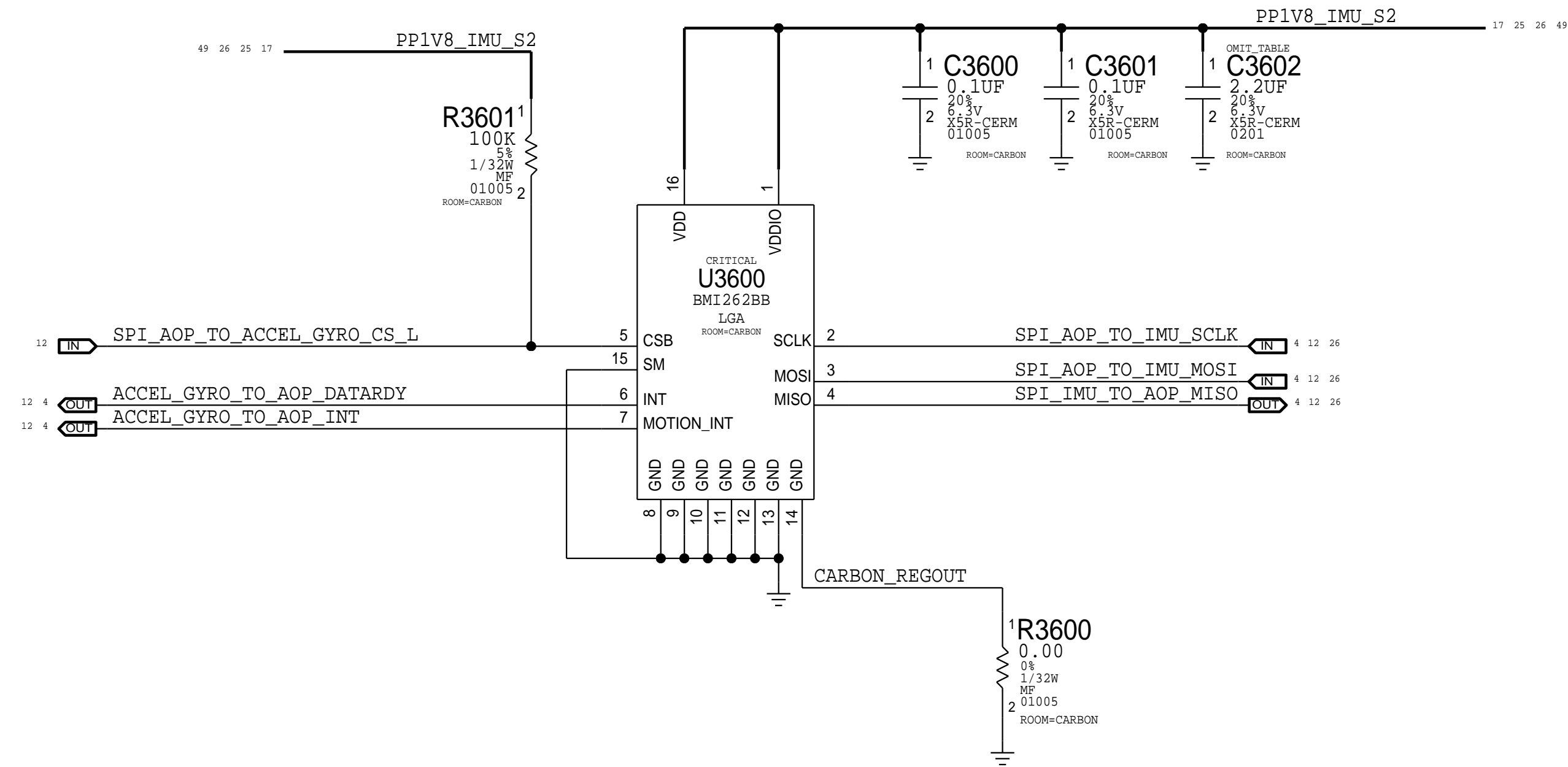
Compass (Button Flex Location)



PAGE TITLE		
SYSTEM POWER: B2B Cyclone + Button		
	DRAWING NUMBER	051-02221
	REVISION	9.0.0
NOTICE OF PROPRIETARY PROPERTY: THE INFORMATION CONTAINED HEREIN IS THE PROPRIETARY PROPERTY OF APPLE INC. THE POSSESSOR AGREES TO THE FOLLOWING: I TO MAINTAIN THIS DOCUMENT IN CONFIDENCE II NOT TO REPRODUCE OR COPY IT III NOT TO REVEAL OR PUBLISH IT IN WHOLE OR PART IV ALL RIGHTS RESERVED	BRANCH	evt-1
	PAGE	35 OF 80
	SHEET	25 OF 51

Graphite - Accel & Gyro

APN: 338S00304

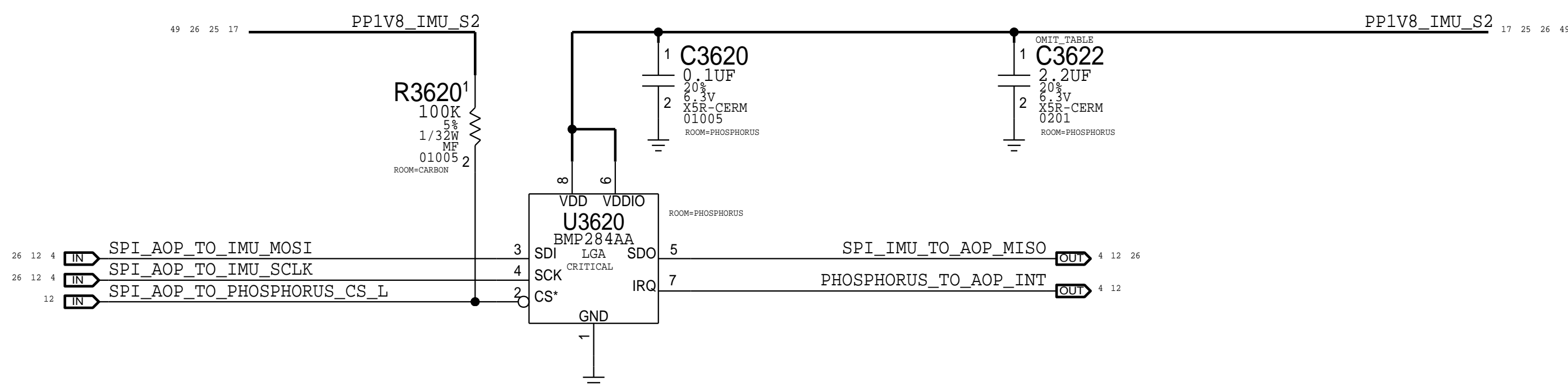


Magnesium - Compass

(On Dock or Button Flex)

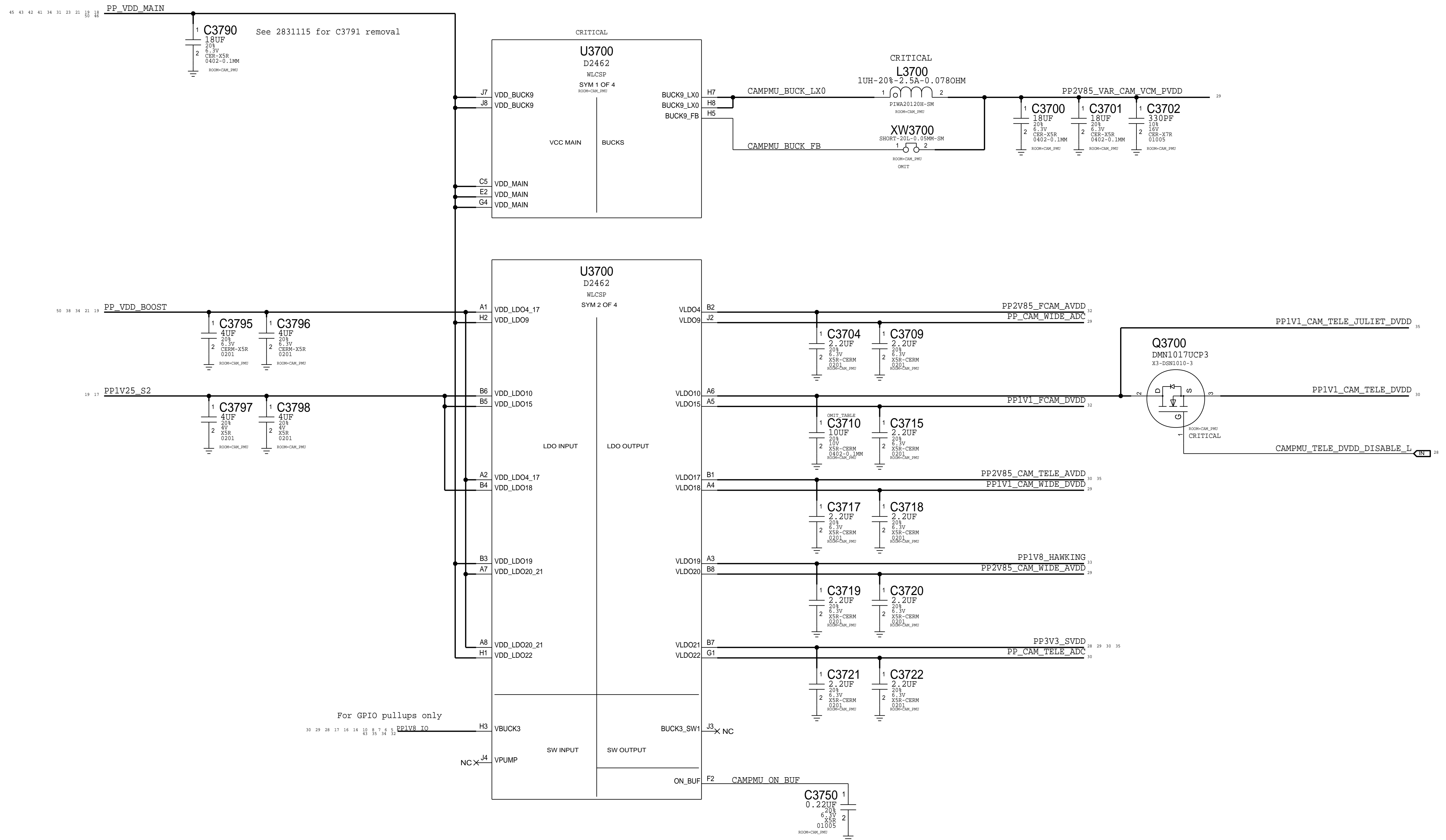
Phosphorus

BOSCH (APN:338S00188)
ST (APN:338S00230)



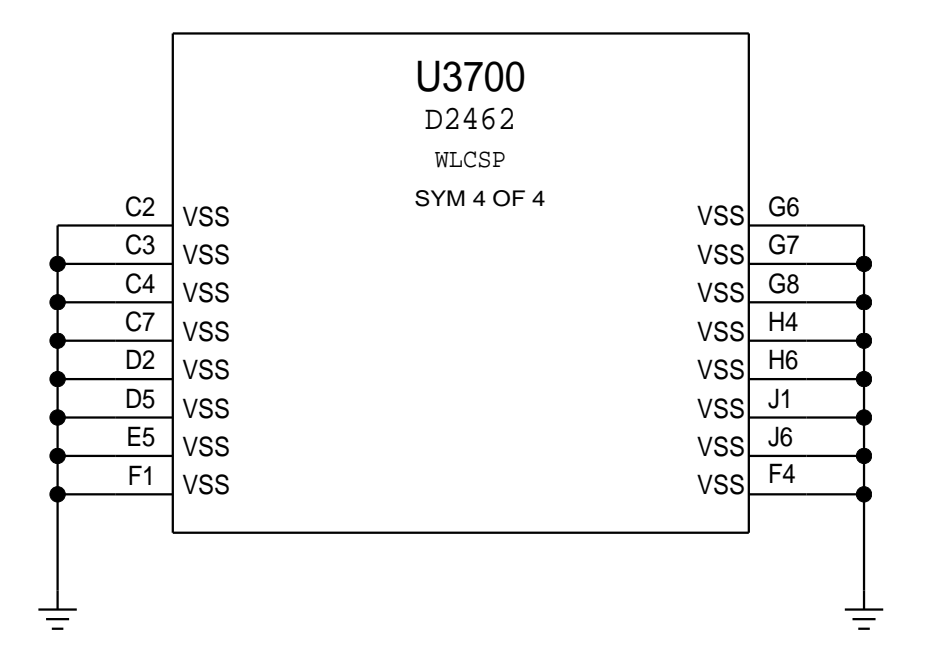
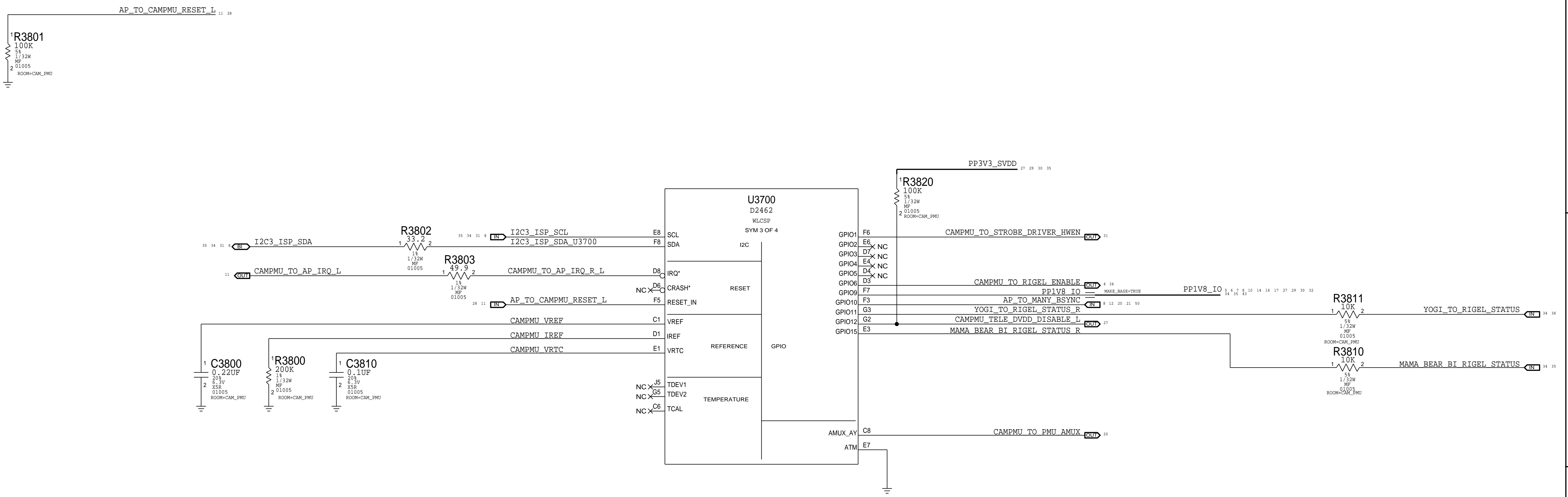
PAGE TITLE		
SENSORS		
	DRAWING NUMBER	051-02221
	REVISION	9.0.0
NOTICE OF PROPRIETARY PROPERTY: THE INFORMATION CONTAINED HEREIN IS THE PROPRIETARY PROPERTY OF APPLE INC. THE POSSESSOR AGREES TO THE FOLLOWING: I TO MAINTAIN THIS DOCUMENT IN CONFIDENCE II NOT TO REPRODUCE OR COPY IT III NOT TO REVEAL OR PUBLISH IT IN WHOLE OR PART IV ALL RIGHTS RESERVED	BRANCH	evt-1
	PAGE	36 OF 80
	SHEET	26 OF 51

Camera PMU



PAGE TITLE		
CAMERA: PMU (1/2)		
	DRAWING NUMBER	051-02221
	REVISION	9.0.0
NOTICE OF PROPRIETARY PROPERTY:		
THE INFORMATION CONTAINED HEREIN IS THE PROPRIETARY PROPERTY OF APPLE INC. THE POSSESSOR AGREES TO THE FOLLOWING: I TO MAINTAIN THIS DOCUMENT IN CONFIDENCE II NOT TO REPRODUCE OR COPY IT III NOT TO REVEAL OR PUBLISH IT IN WHOLE OR PART IV ALL RIGHTS RESERVED		
BRANCH	evt-1	
PAGE	37 OF 80	
SHEET	27 OF 51	

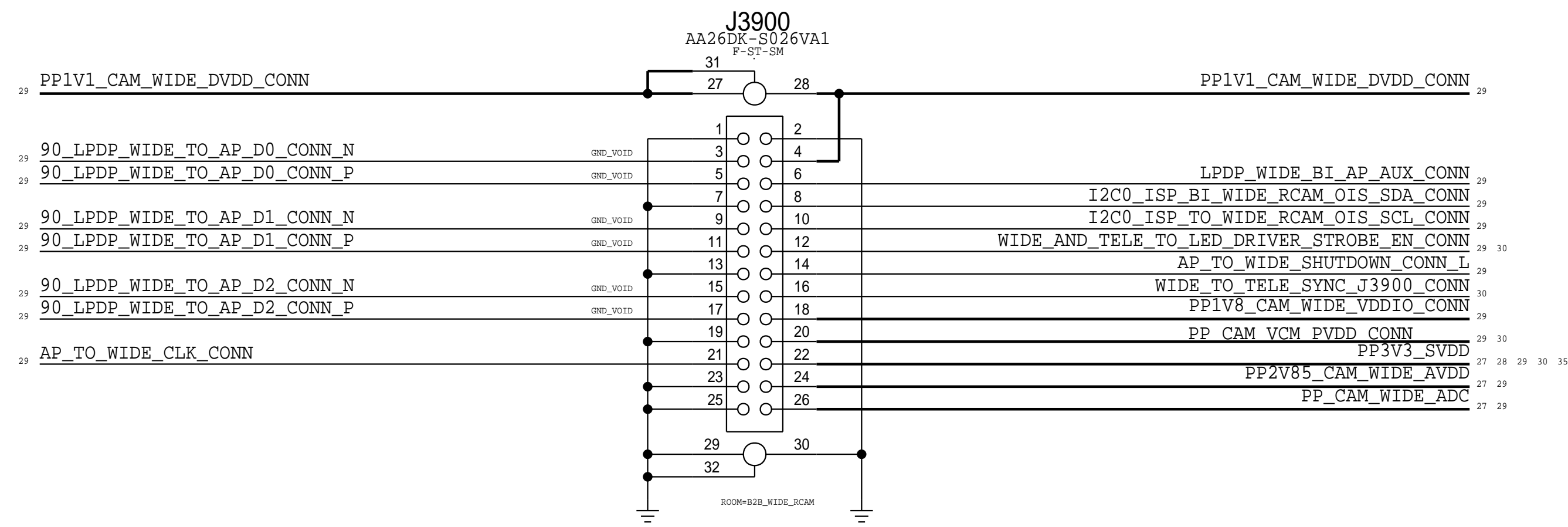
Pull Downs



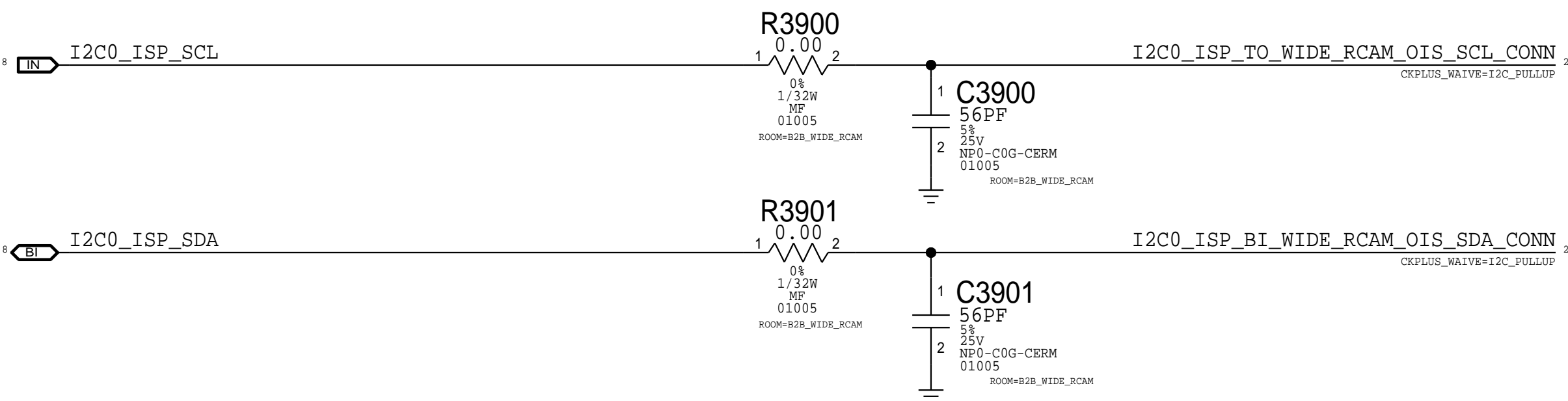
PAGE TITLE		
CAMERA: PMU (2/2)		
	DRAWING NUMBER	051-02221
	REVISION	9.0.0
NOTICE OF PROPRIETARY PROPERTY:		BRANCH
THE INFORMATION CONTAINED HEREIN IS THE PROPRIETARY PROPERTY OF APPLE INC. THE POSSESSOR AGREES TO THE FOLLOWING: I TO MAINTAIN THIS DOCUMENT IN CONFIDENCE II NOT TO REPRODUCE OR COPY IT III NOT TO REVEAL OR PUBLISH IT IN WHOLE OR PART IV ALL RIGHTS RESERVED		evt-1 38 OF 80 28 OF 51

Wide Camera Connector

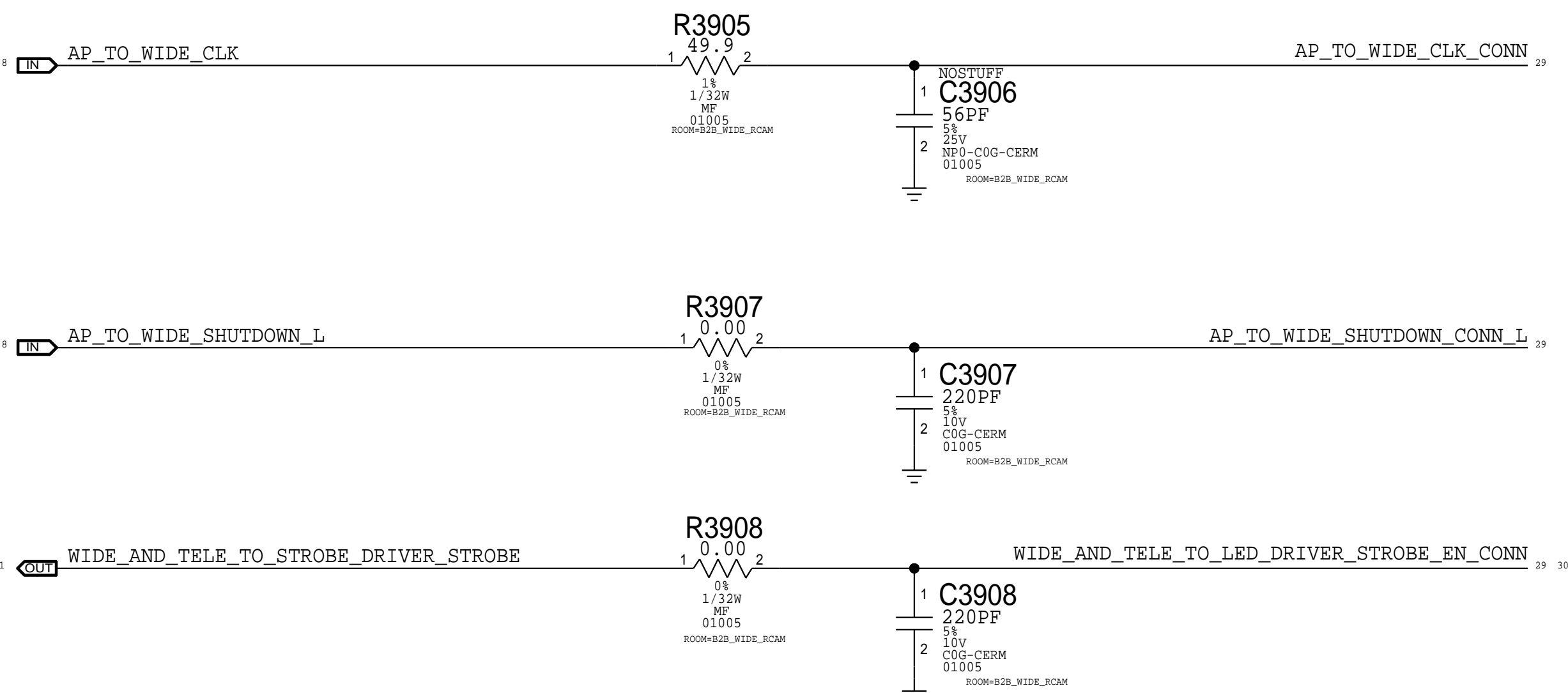
Rcpt: 516S00313
 Plug: 516S00314
 <-- This one on MLB



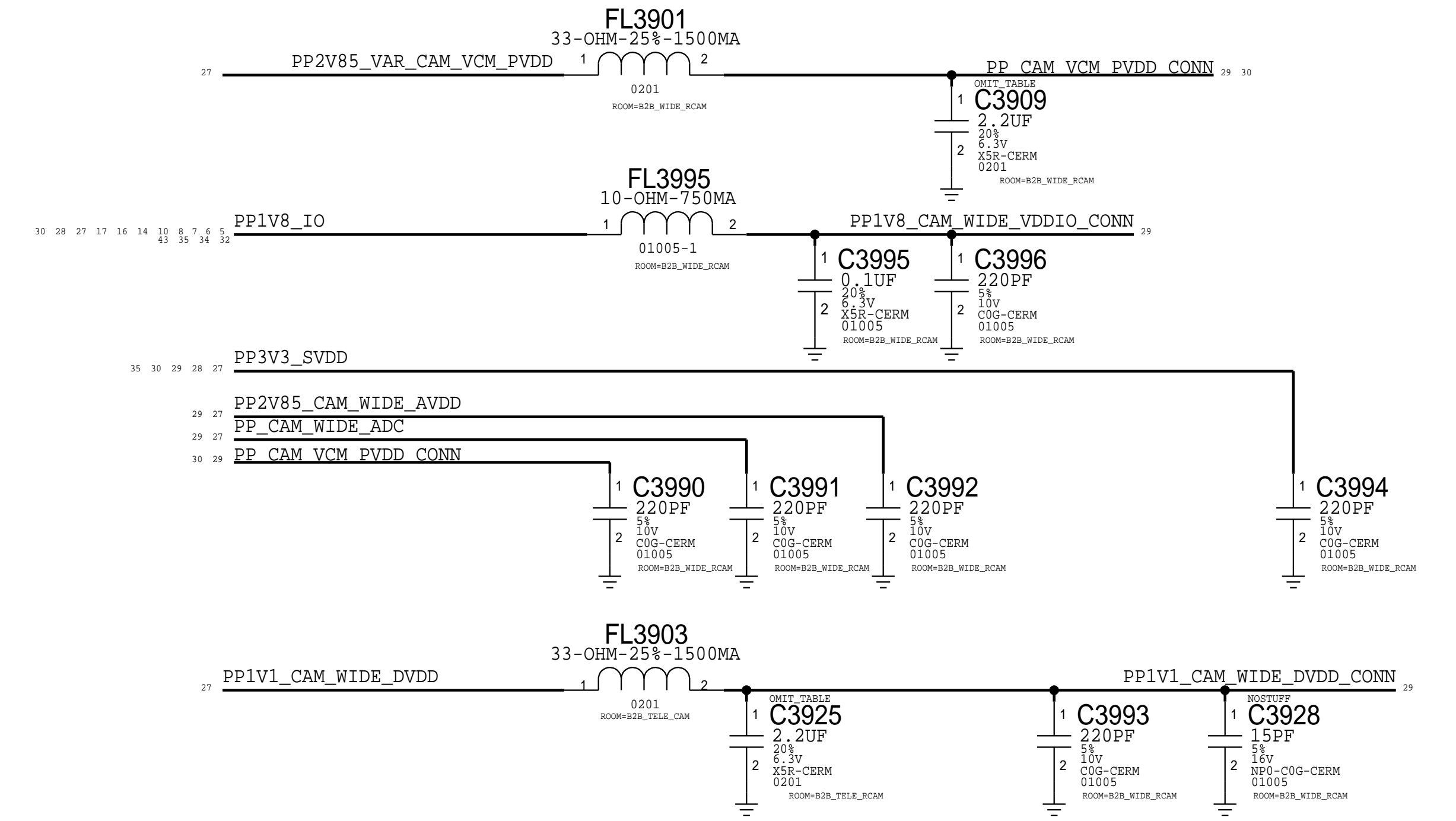
ISP I2C



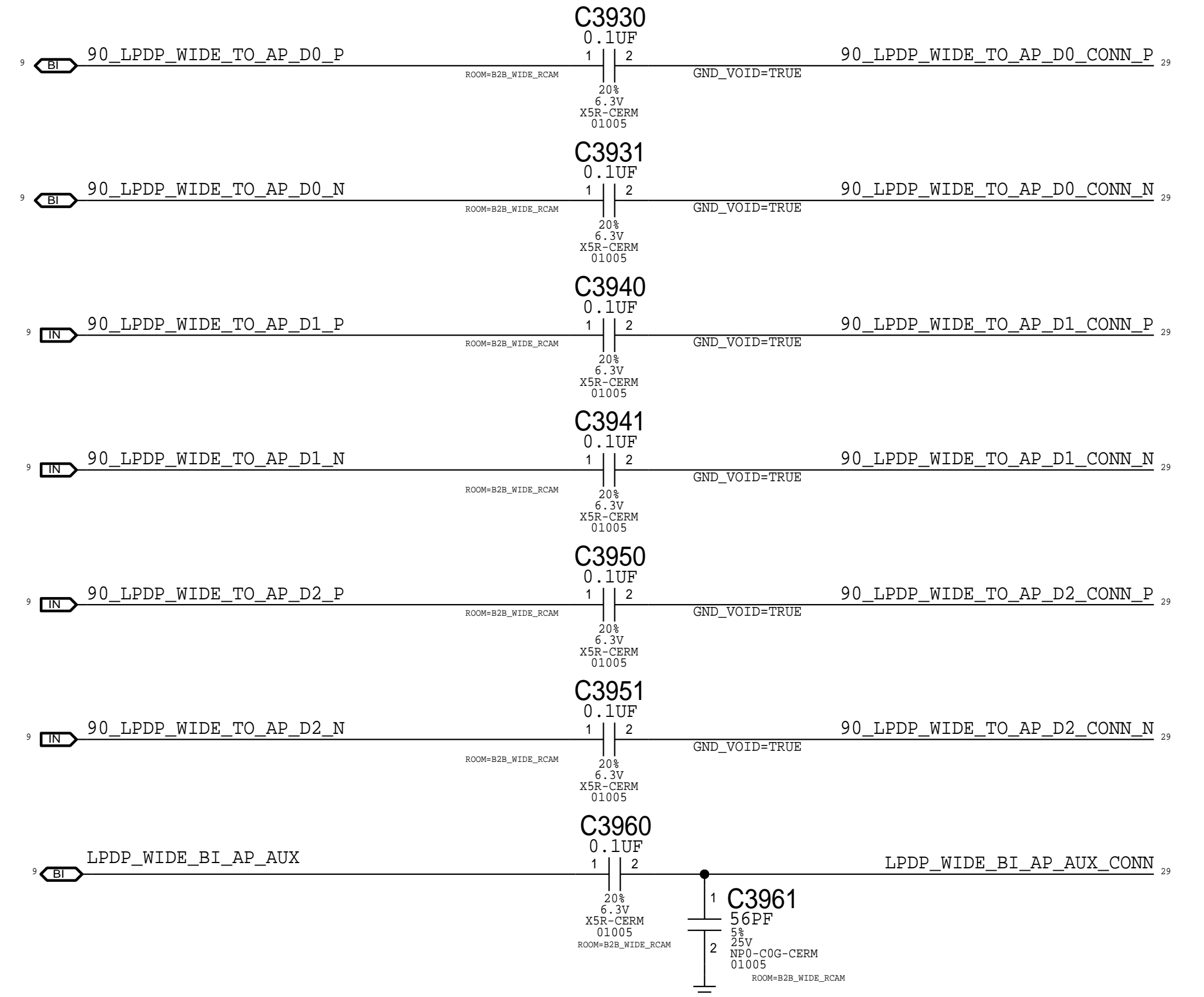
IO Filters



Power Filtering



LPDP Filters



PAGE TITLE		
CAMERA: B2B Wide (WY)		
	DRAWING NUMBER	SIZE
	051-02221	D
REVISION		
9.0.0		
BRANCH		
evt-1		
PAGE		
39 OF 80		
SHEET		
29 OF 51		
NOTICE OF PROPRIETARY PROPERTY: THE INFORMATION CONTAINED HEREIN IS THE PROPRIETARY PROPERTY OF APPLE INC. THE POSSESSOR AGREES TO THE FOLLOWING: I TO MAINTAIN THIS DOCUMENT IN CONFIDENCE II NOT TO REPRODUCE OR COPY IT III NOT TO REVEAL OR PUBLISH IT IN WHOLE OR PART IV ALL RIGHTS RESERVED		

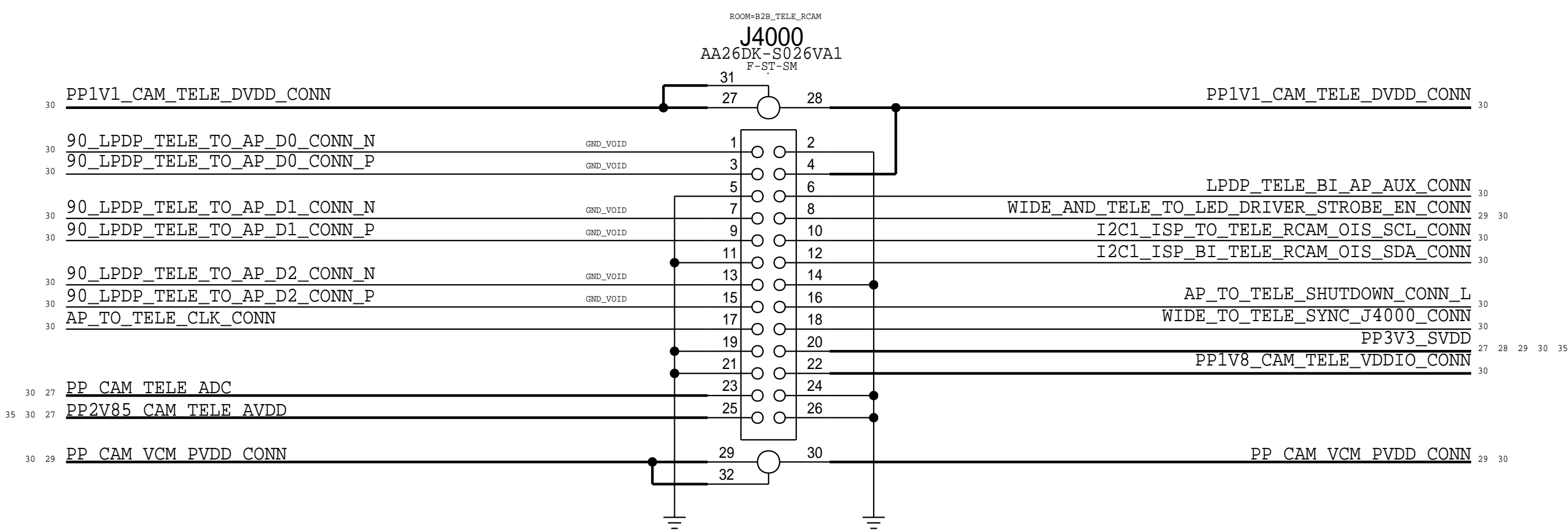
Tele Camera Connector

Rcpt: 516S00313 <-- This one on MLB
 Plug: 516S00314

8 7 6 5 4 3 2 1

D

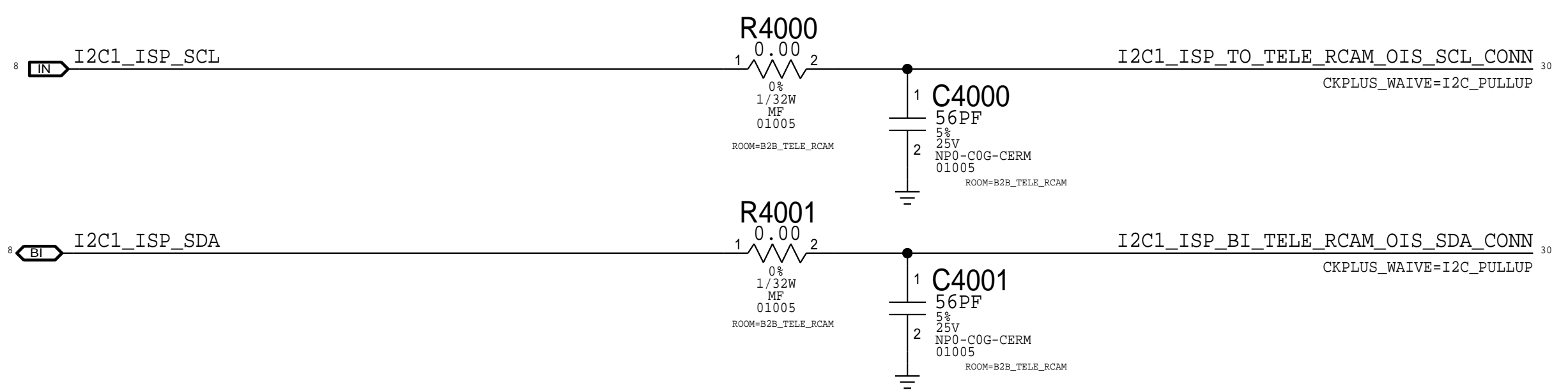
D



ISP I2C

C

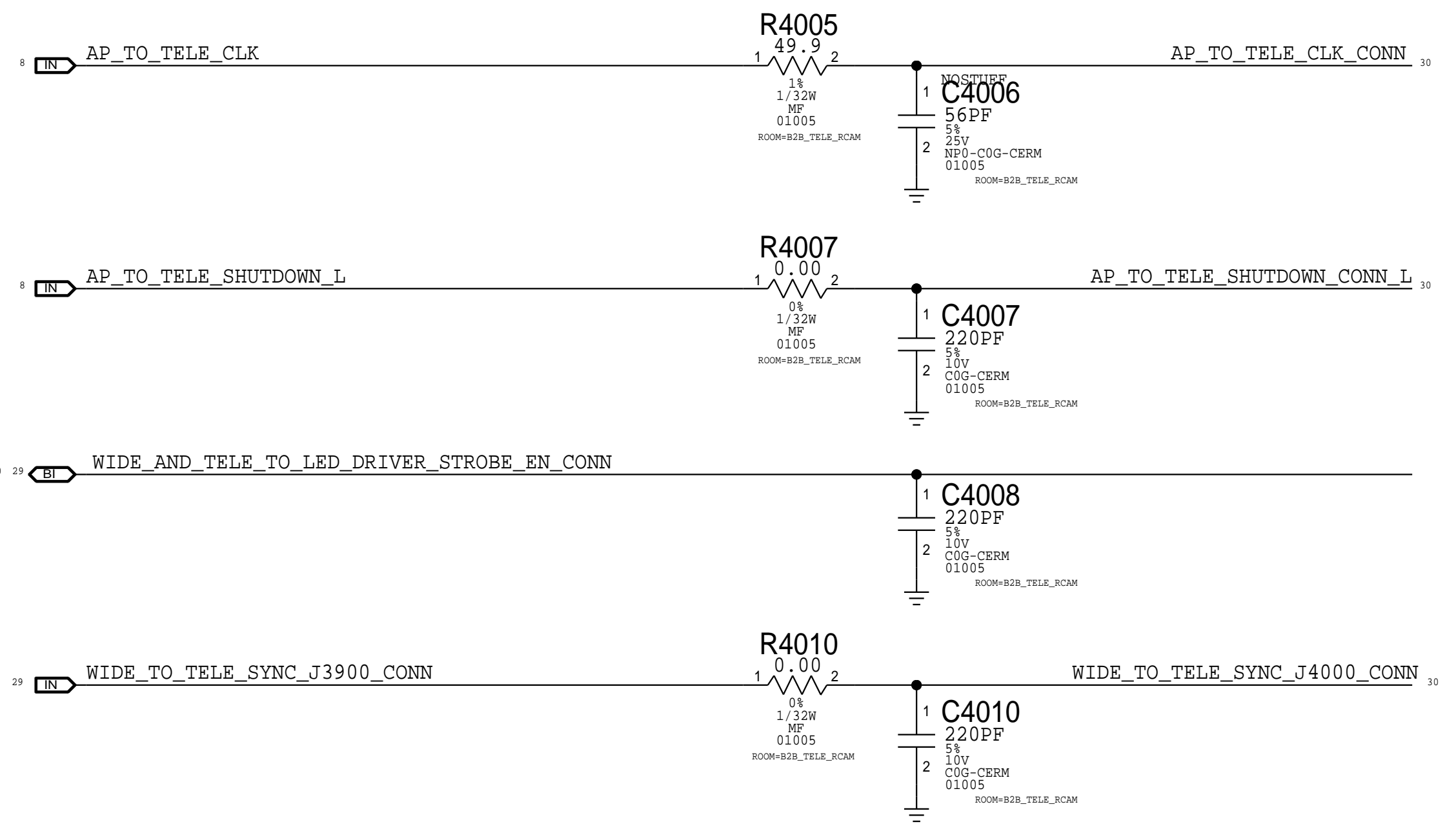
C



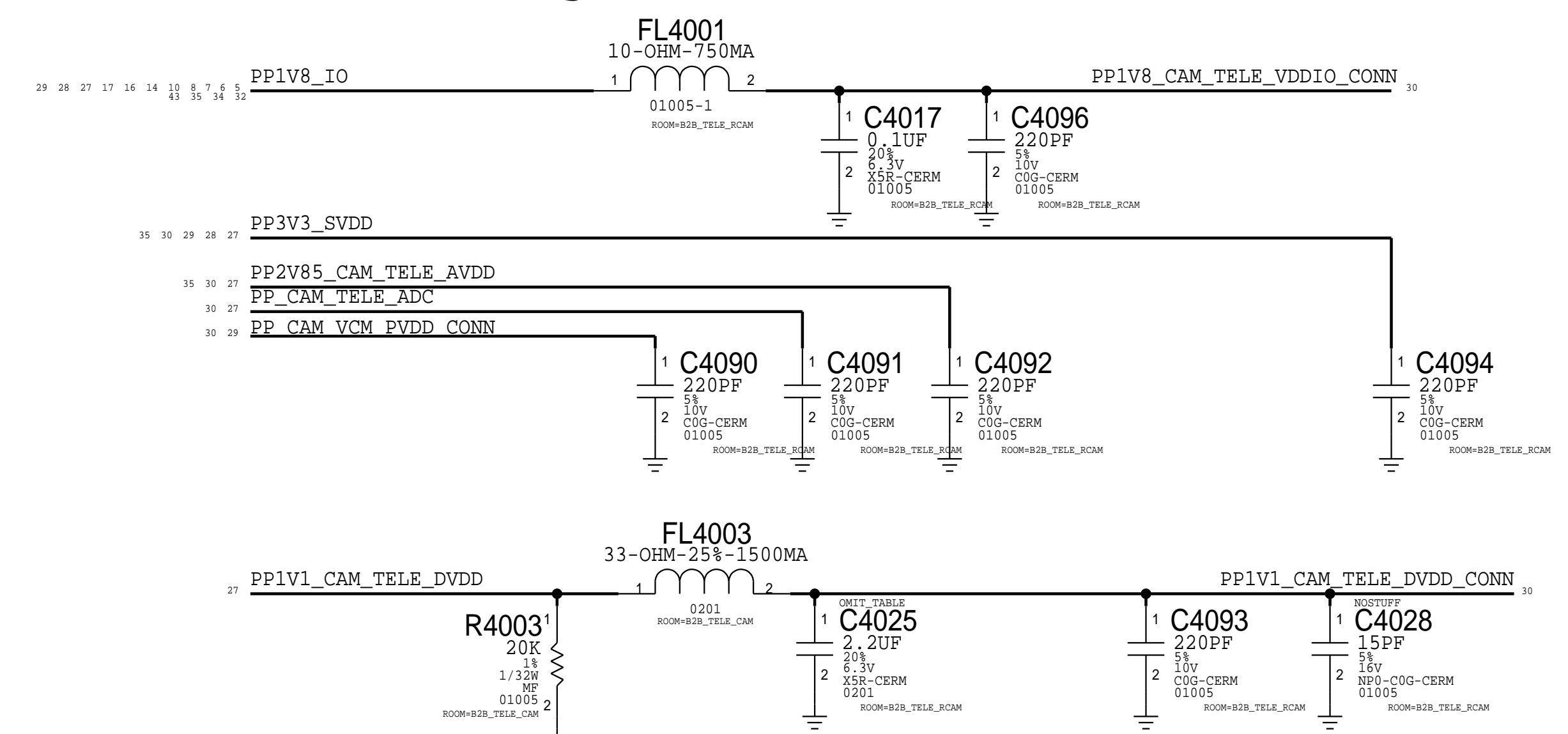
IO Filters

A

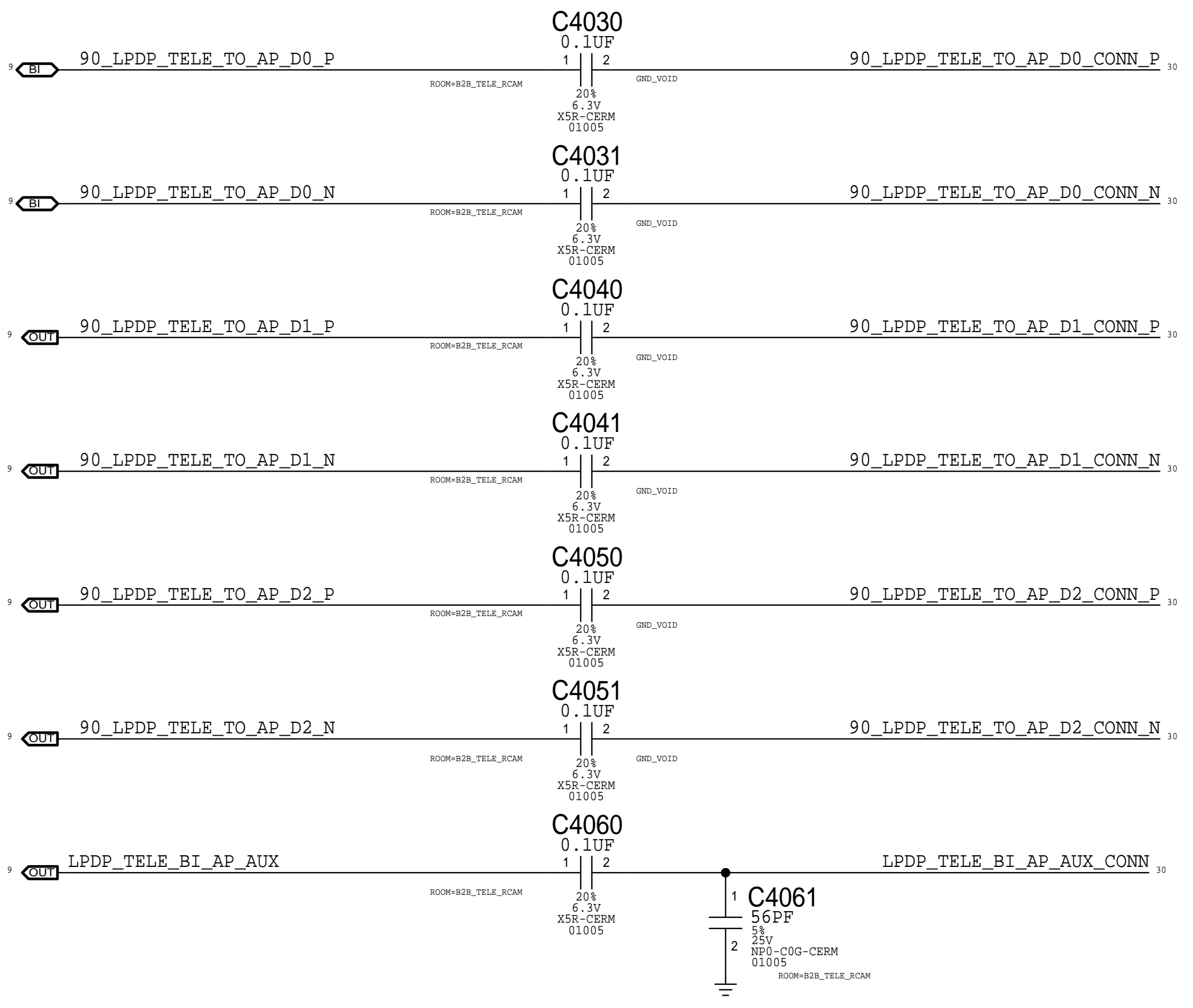
A



Power Filtering



LPDP

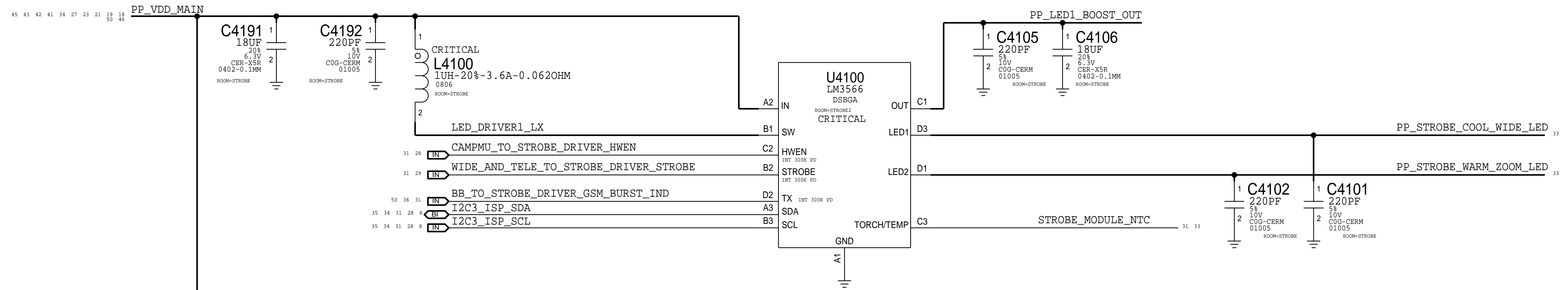


PAGE TITLE		
CAMERA: B2B Tele (MT)		
	DRAWING NUMBER	051-02221
	REVISION	9.0.0
NOTICE OF PROPRIETARY PROPERTY: THE INFORMATION CONTAINED HEREIN IS THE PROPRIETARY PROPERTY OF APPLE INC. THE POSSESSOR AGREES TO THE FOLLOWING: I TO MAINTAIN THIS DOCUMENT IN CONFIDENCE II NOT TO REPRODUCE OR COPY IT III NOT TO REVEAL OR PUBLISH IT IN WHOLE OR PART IV ALL RIGHTS RESERVED	BRANCH	evt-1
	PAGE	40 OF 80
	SHEET	30 OF 51
	SIZE	D

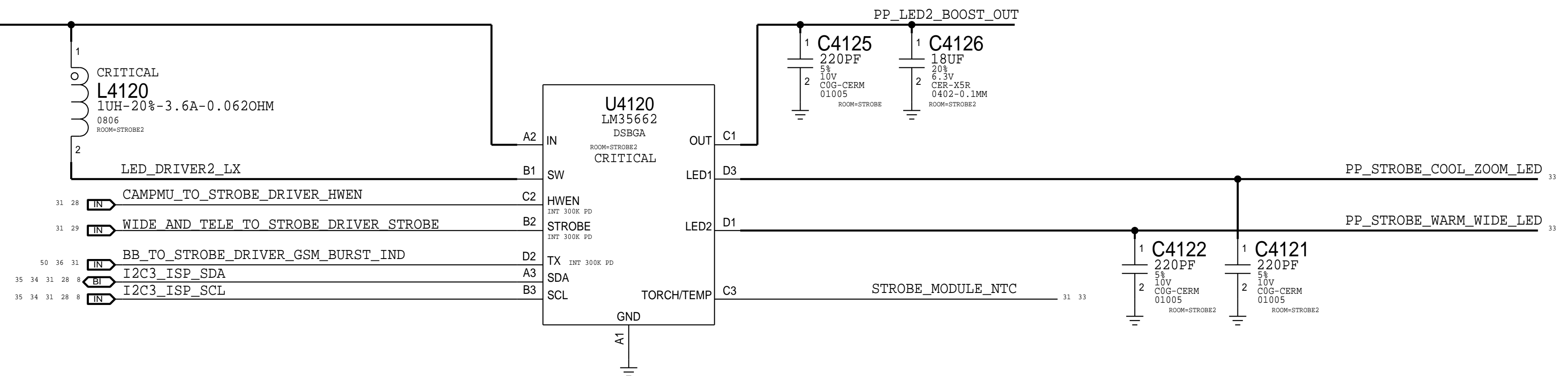
8 7 6 5 4 3 2 1

LED STROBE DRIVERS (NEON)

APN:353S00558
I2C Address (7-bit): 0x63



APN:353S00868
I2C Address (7-bit): 0x67

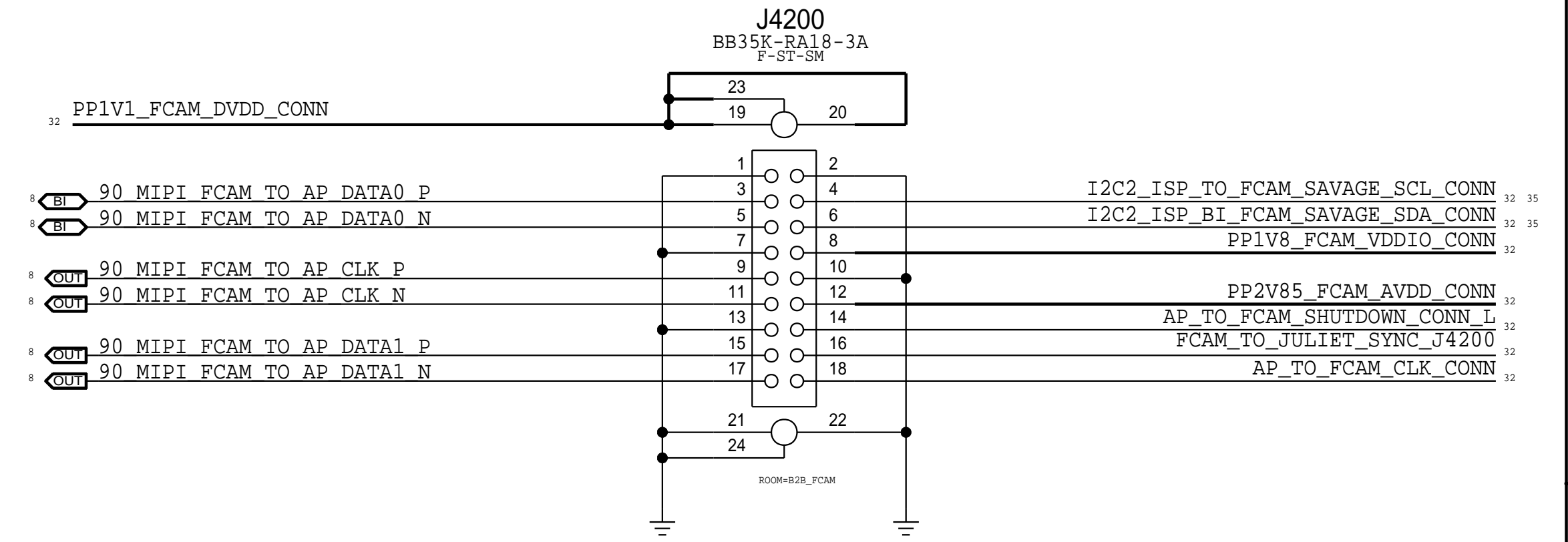
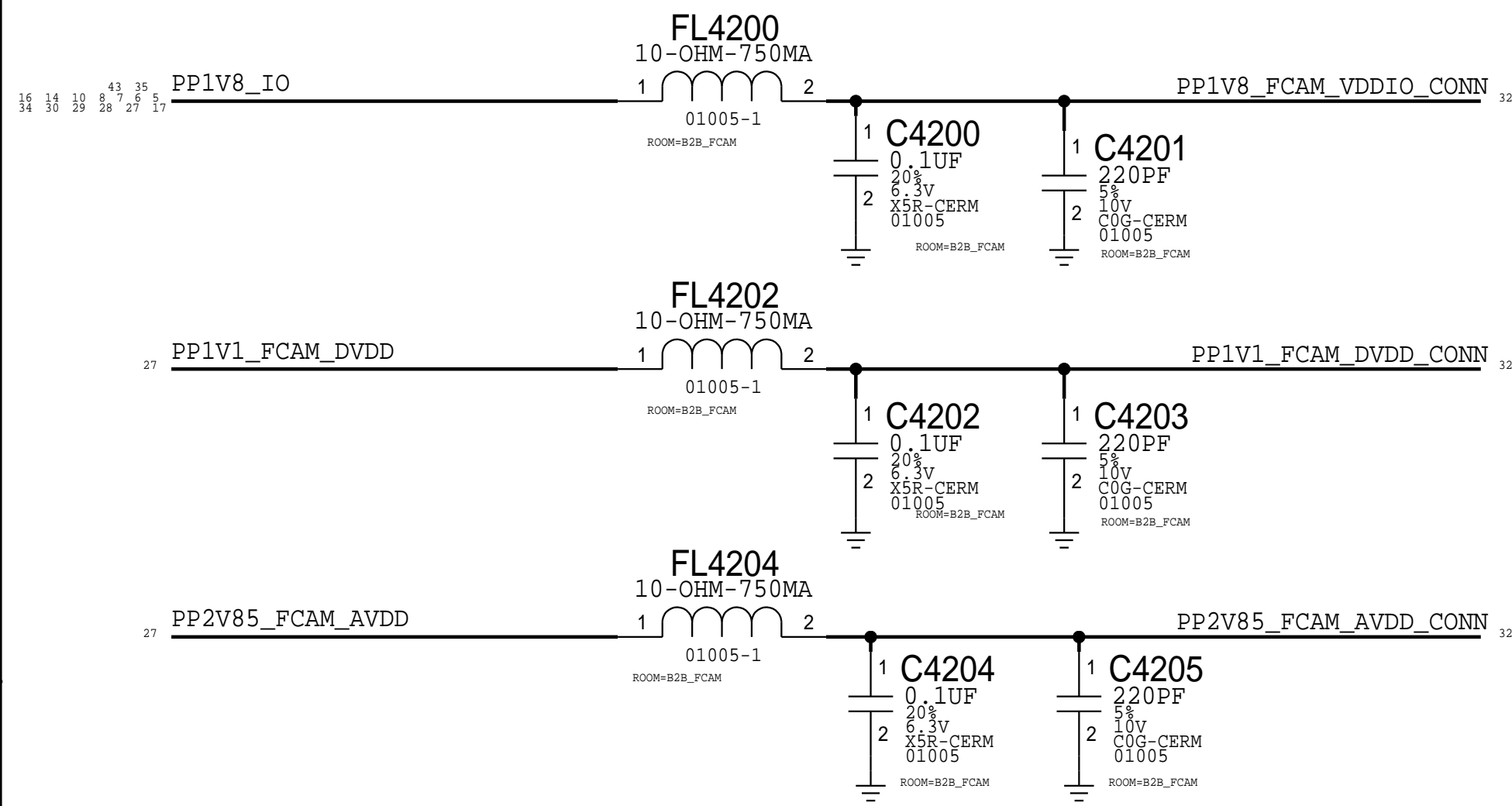


PAGE TITLE		
CAMERA: Strobe Drivers		
	DRAWING NUMBER	051-02221
	REVISION	9.0.0
NOTICE OF PROPRIETARY PROPERTY:		BRANCH
THE INFORMATION CONTAINED HEREIN IS THE PROPRIETARY PROPERTY OF APPLE INC. THE POSSESSOR AGREES TO THE FOLLOWING: I TO MAINTAIN THIS DOCUMENT IN CONFIDENCE II NOT TO REPRODUCE OR COPY IT III NOT TO REVEAL OR PUBLISH IT IN WHOLE OR PART IV ALL RIGHTS RESERVED		PAGE
		SHEET
		41 OF 80
		31 OF 51

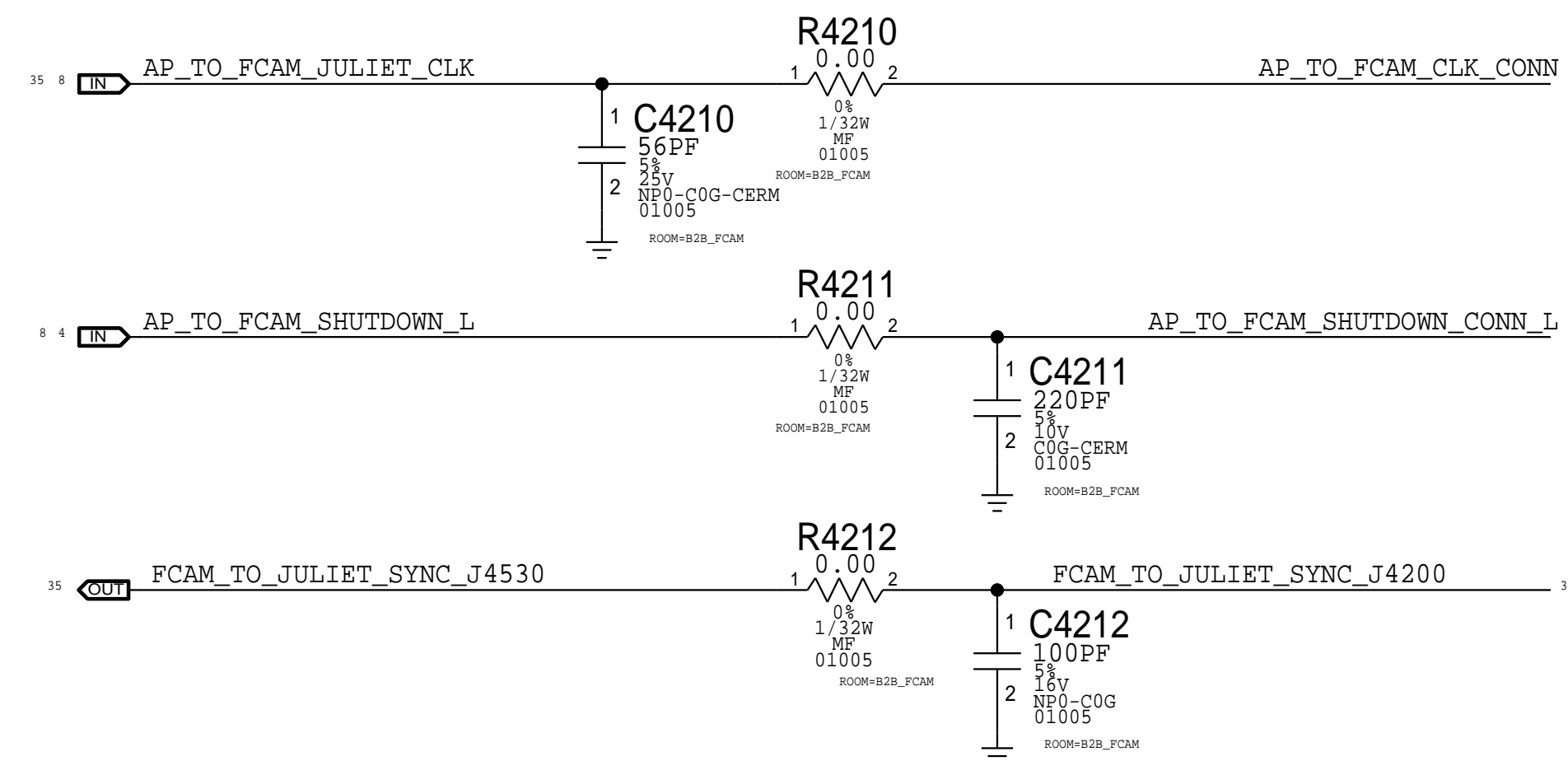
NEW HAMPSHIRE POWER

FCAM Connector

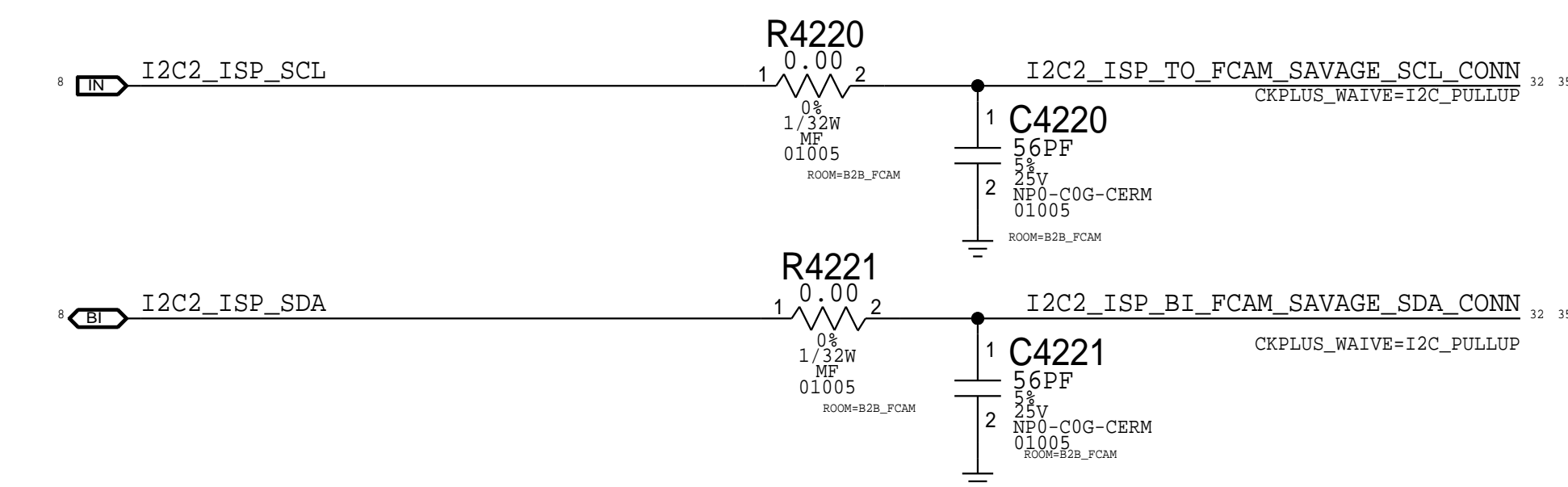
Rcpt: 516S00244 <-- This one on MLB
 Plug: 516S00245



FCAM I/O

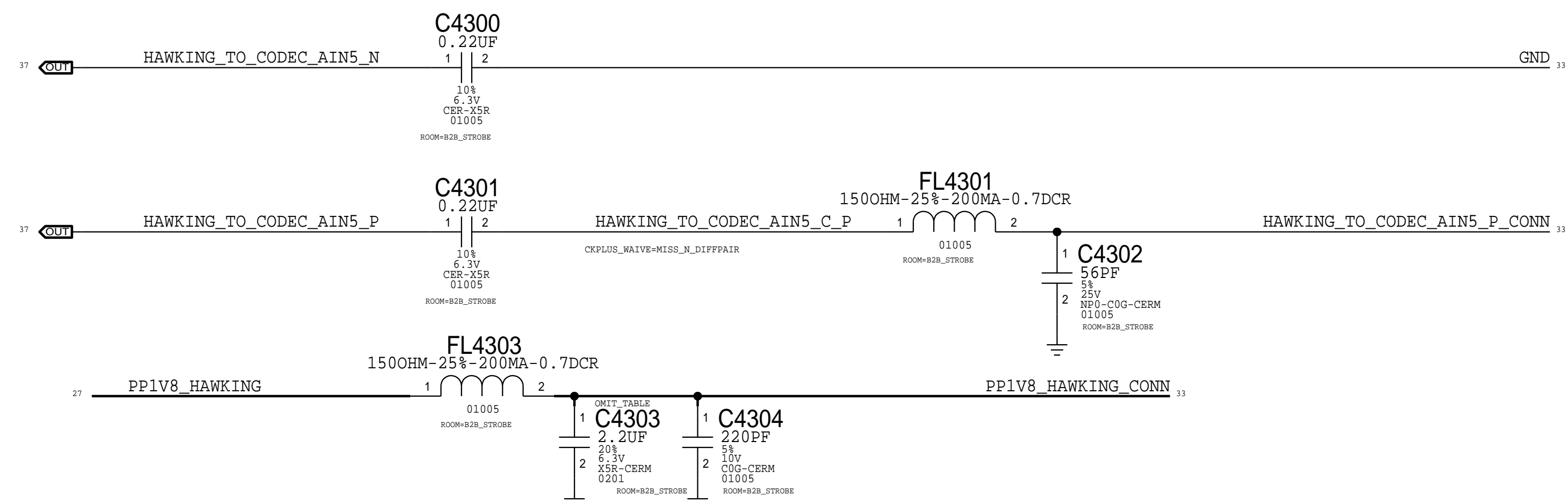


ISP I2C2

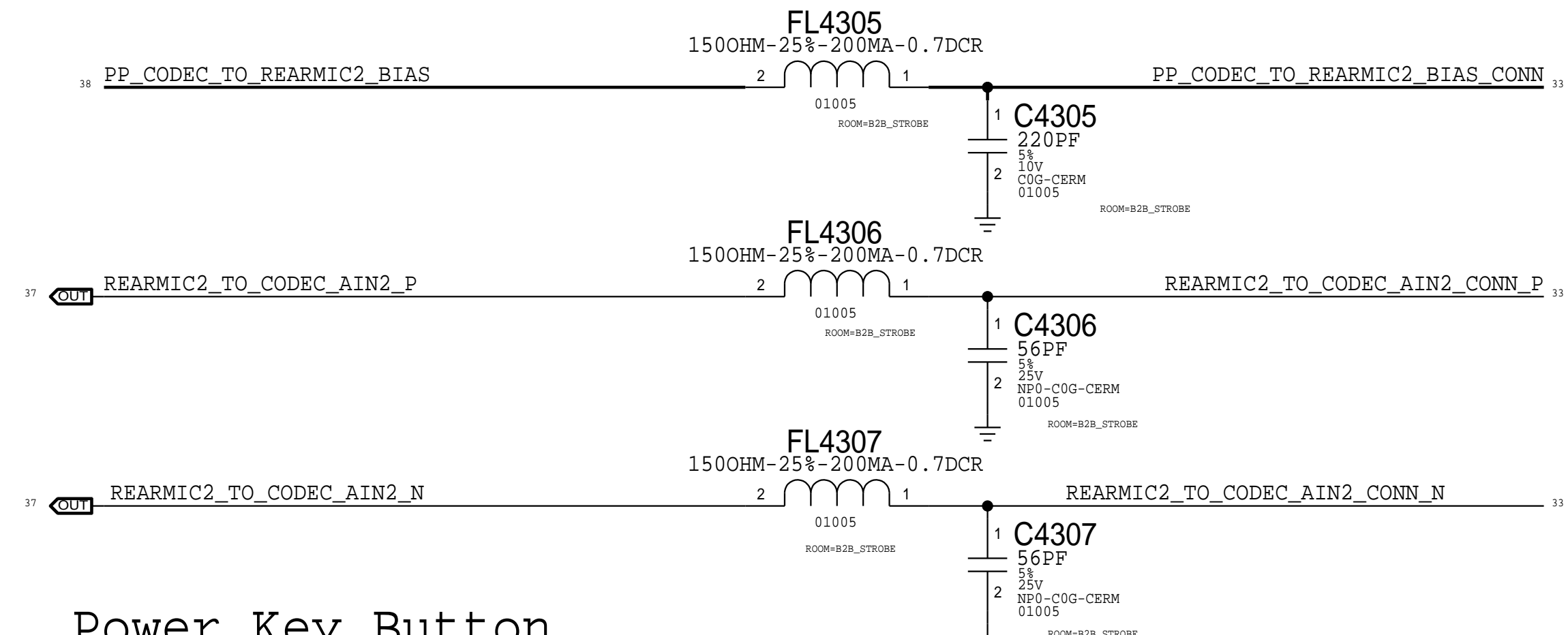


PAGE TITLE		
CAMERA: B2B FCAM		
	DRAWING NUMBER	051-02221
	REVISION	9.0.0
NOTICE OF PROPRIETARY PROPERTY: THE INFORMATION CONTAINED HEREIN IS THE PROPRIETARY PROPERTY OF APPLE INC. THE POSSESSOR AGREES TO THE FOLLOWING: I TO MAINTAIN THIS DOCUMENT IN CONFIDENCE II NOT TO REPRODUCE OR COPY IT III NOT TO REVEAL OR PUBLISH IT IN WHOLE OR PART IV ALL RIGHTS RESERVED	BRANCH	evt-1
	PAGE	42 OF 80
	SHEET	32 OF 51

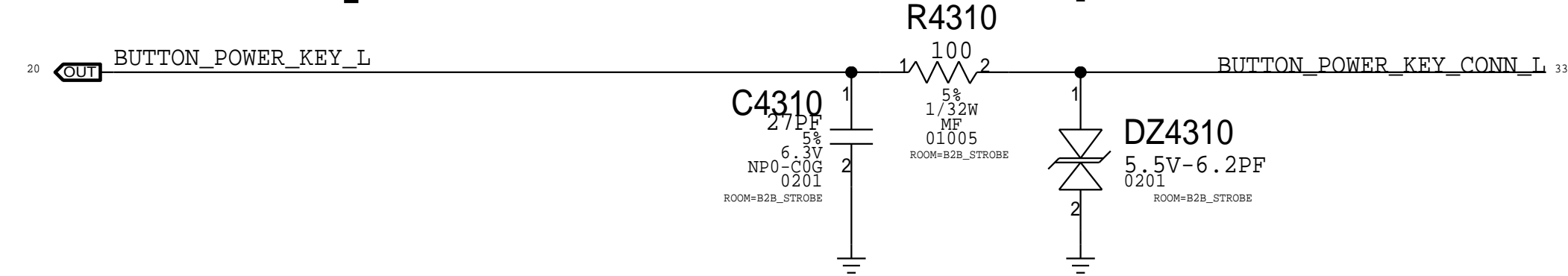
HAWKING



MIC2 (ANC REF)

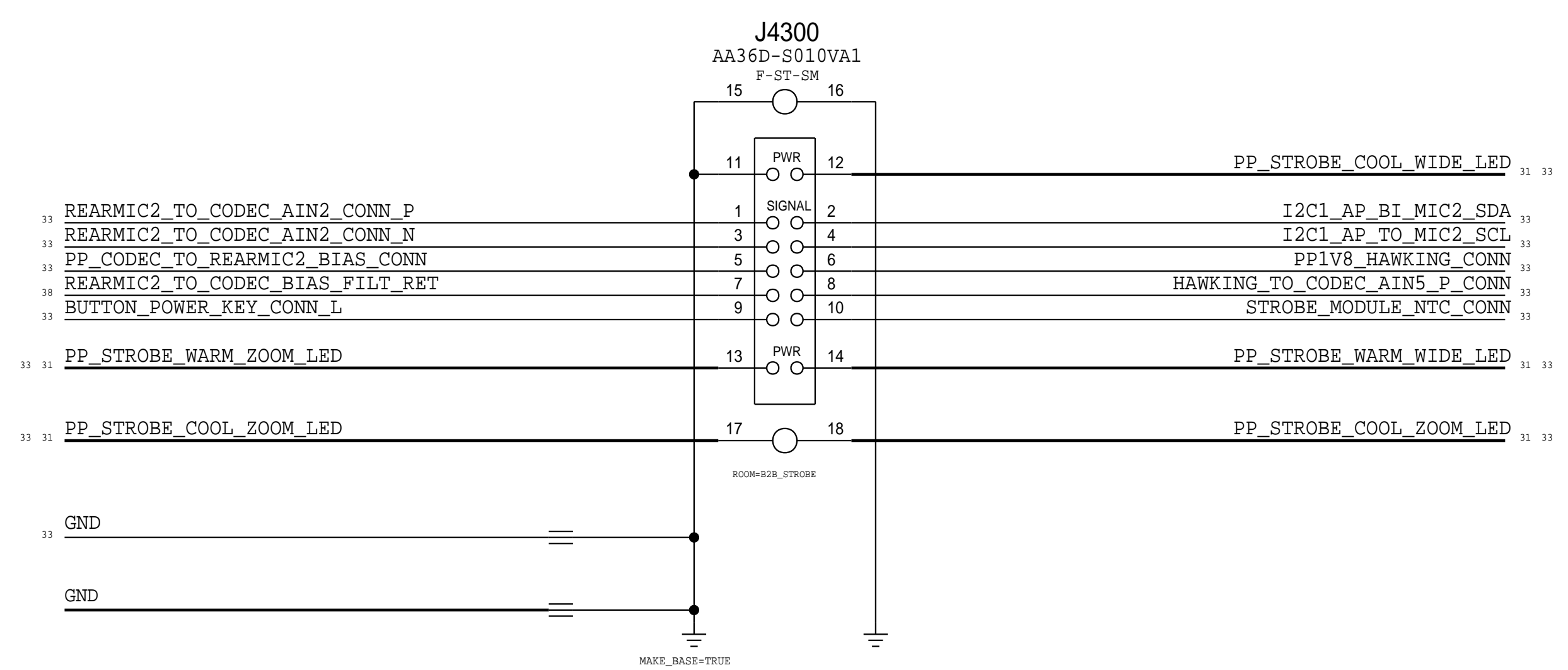


Power Key Button

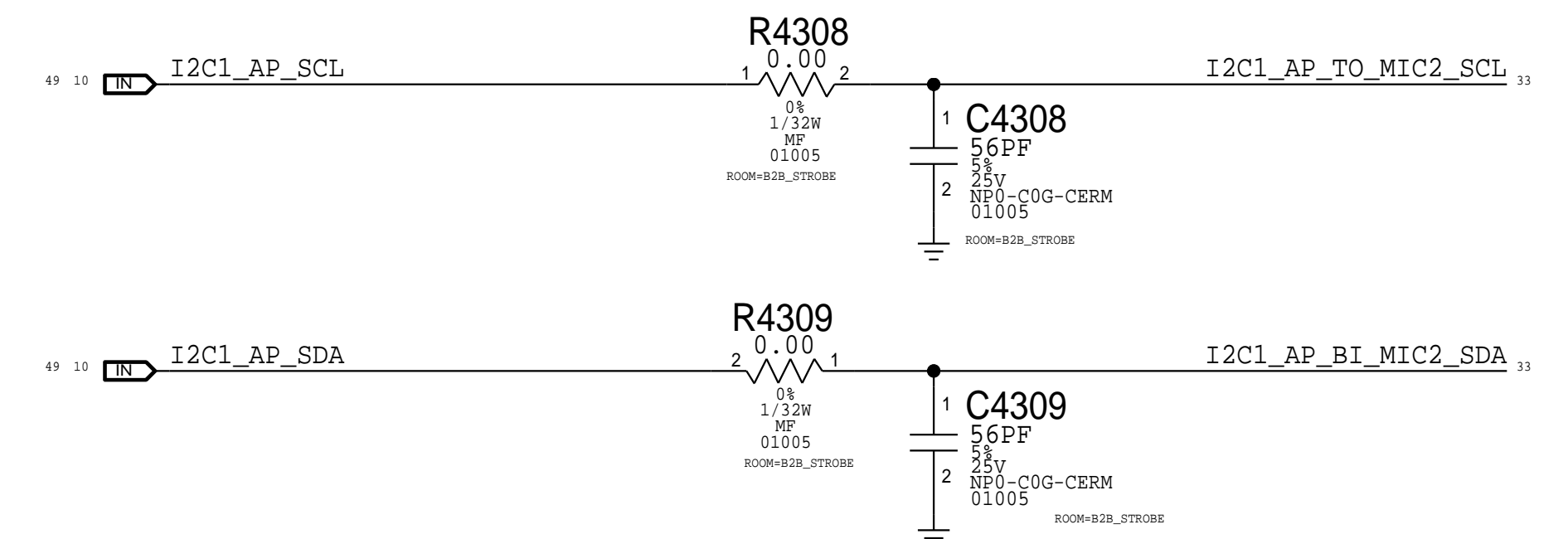
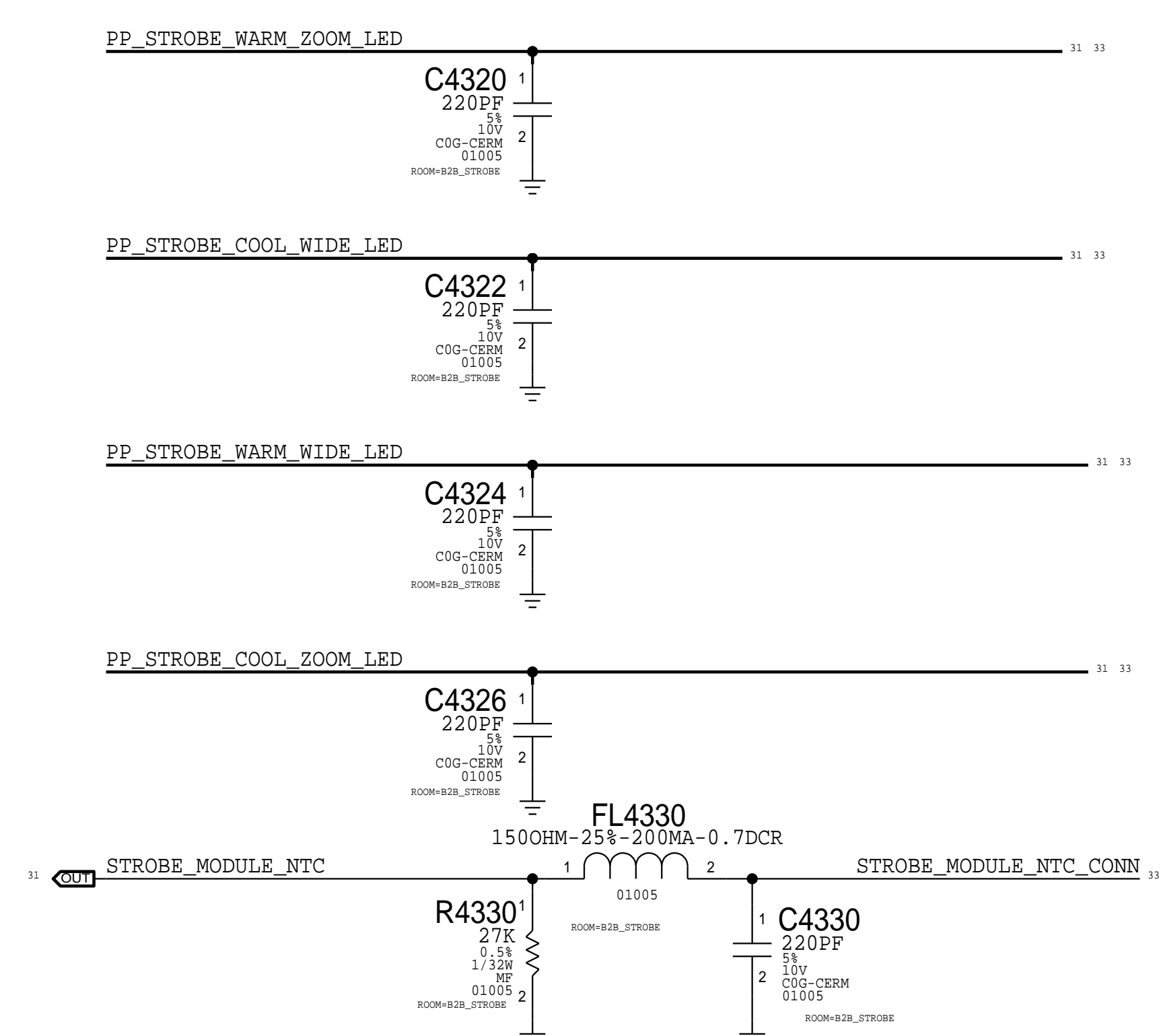


Strobe Connector

Rcpt: 516S00267 <-- This one on MLB
 Plug: 516S00268

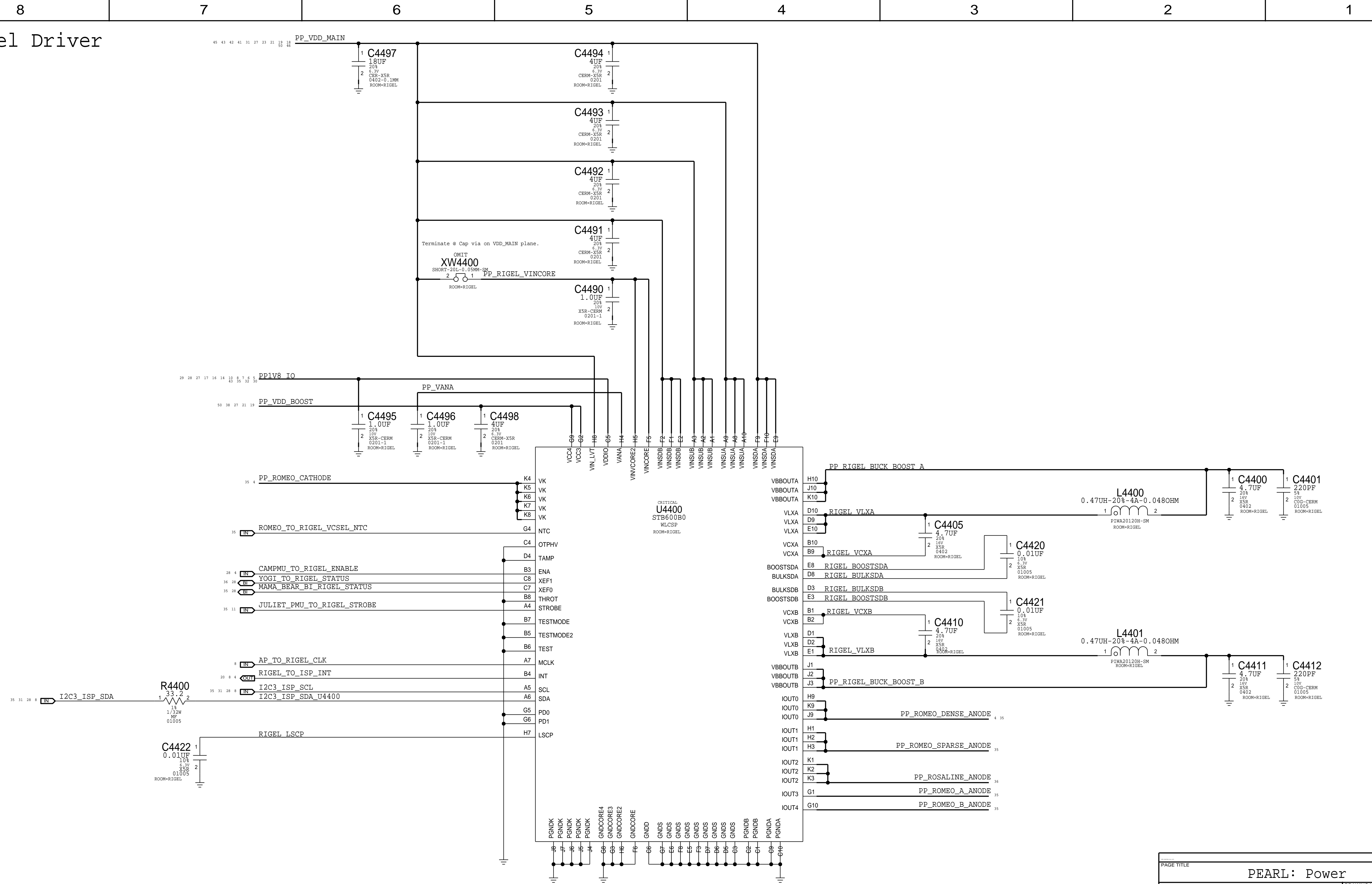


Strobe Filtering



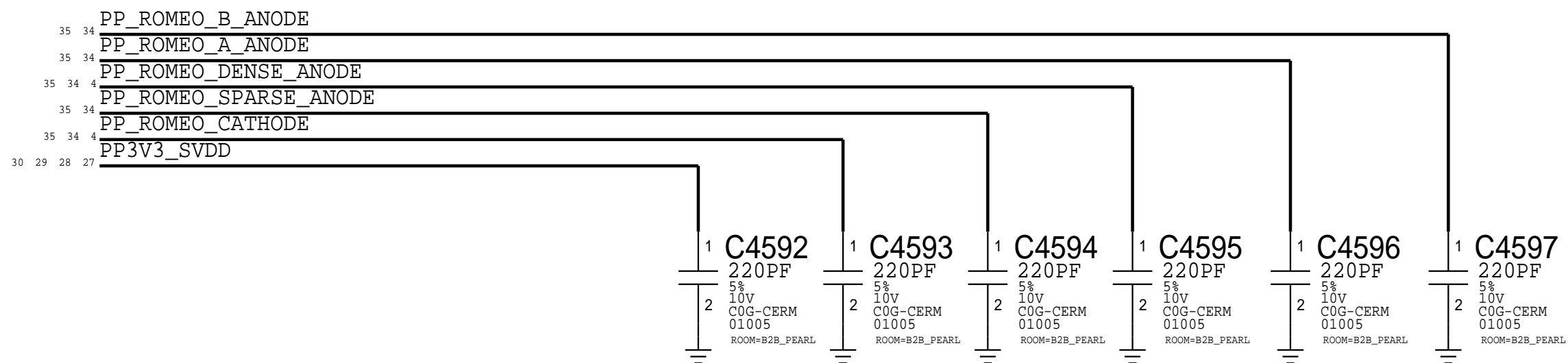
PAGE TITLE CAMERA: B2B Strobe + Hold Button		
	DRAWING NUMBER 051-02221	SIZE D
	REVISION 9.0.0	BRANCH evt-1
NOTICE OF PROPRIETARY PROPERTY: THE INFORMATION CONTAINED HEREIN IS THE PROPRIETARY PROPERTY OF APPLE INC. THE POSSESSOR AGREES TO THE FOLLOWING: I TO MAINTAIN THIS DOCUMENT IN CONFIDENCE II NOT TO REPRODUCE OR COPY IT III NOT TO REVEAL OR PUBLISH IT IN WHOLE OR PART IV ALL RIGHTS RESERVED		PAGE 43 OF 80
		SHEET 33 OF 51

Rigel Driver

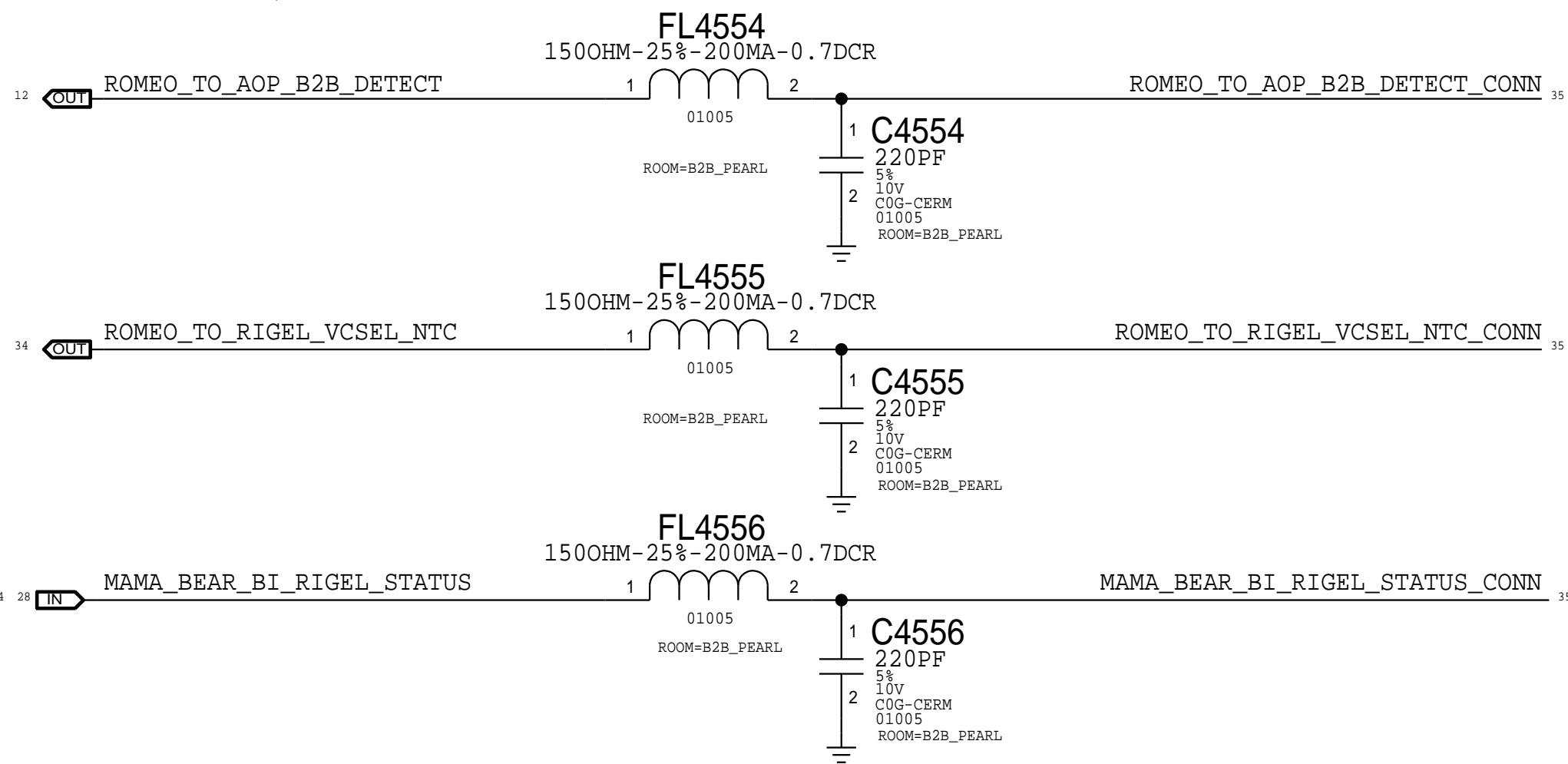


PAGE TITLE		
PEARL: Power		
	DRAWING NUMBER	051-02221
	REVISION	9.0.0
NOTICE OF PROPRIETARY PROPERTY: THE INFORMATION CONTAINED HEREIN IS THE PROPRIETARY PROPERTY OF APPLE INC. THE POSSESSOR AGREES TO THE FOLLOWING: I TO MAINTAIN THIS DOCUMENT IN CONFIDENCE I NOT TO REPRODUCE OR COPY IT I NOT TO REVEAL OR PUBLISH IT IN WHOLE OR PART I ALL RIGHTS RESERVED	BRANCH	evt-1
	PAGE	44 OF 80
	SHEET	34 OF 51

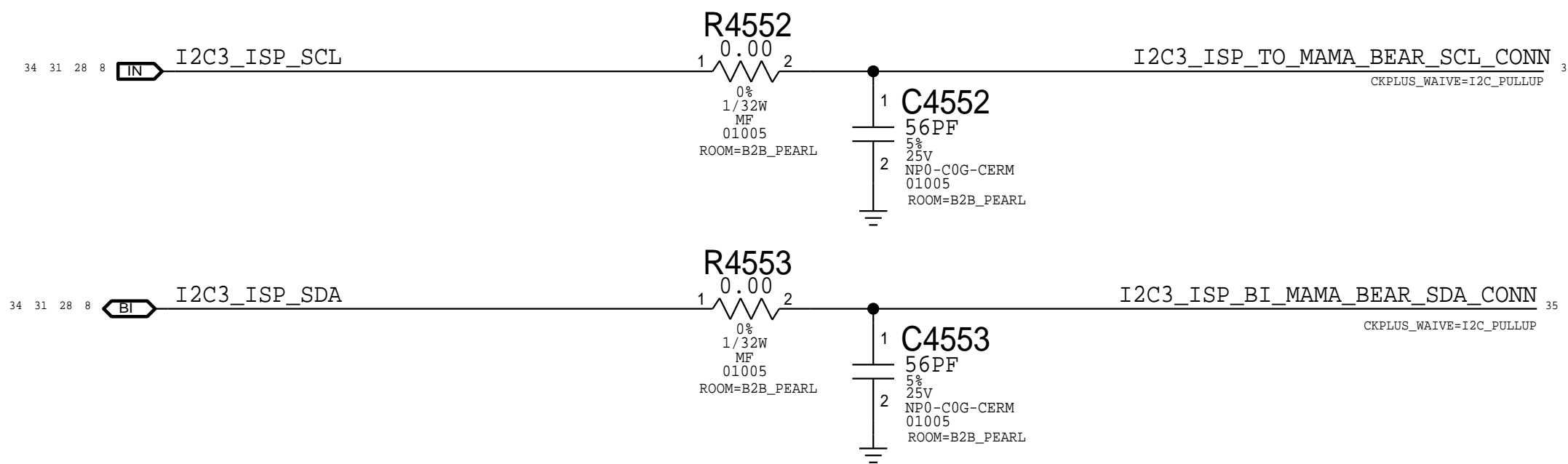
Romeo Power Filtering



Romeo I/O

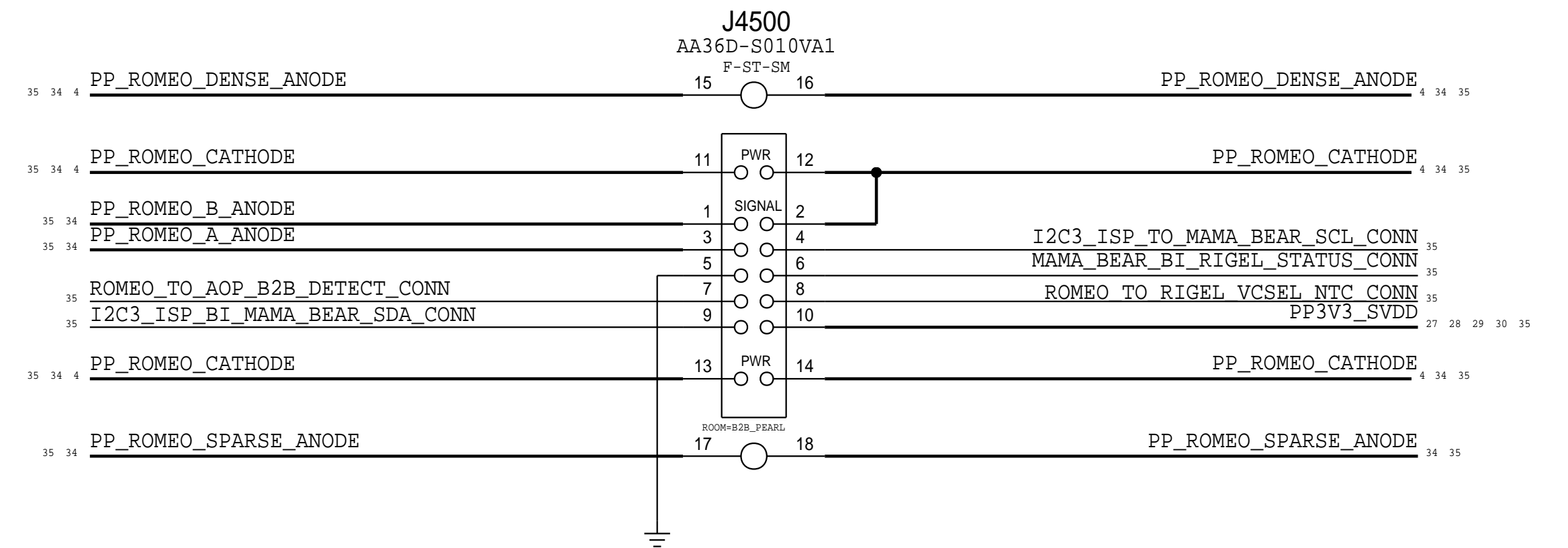


ISP I2C3

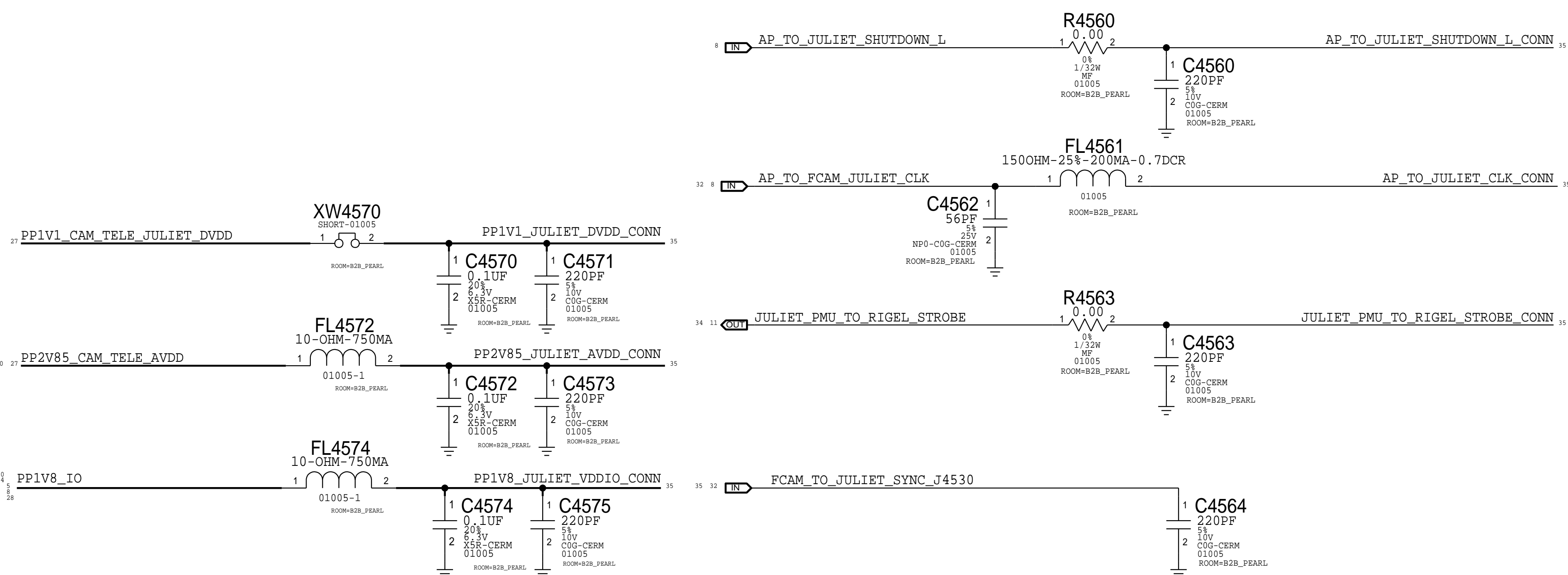


Romeo Connector

Rcpt: 516S00267 <-- This one on MLB
Plug: 516S00268

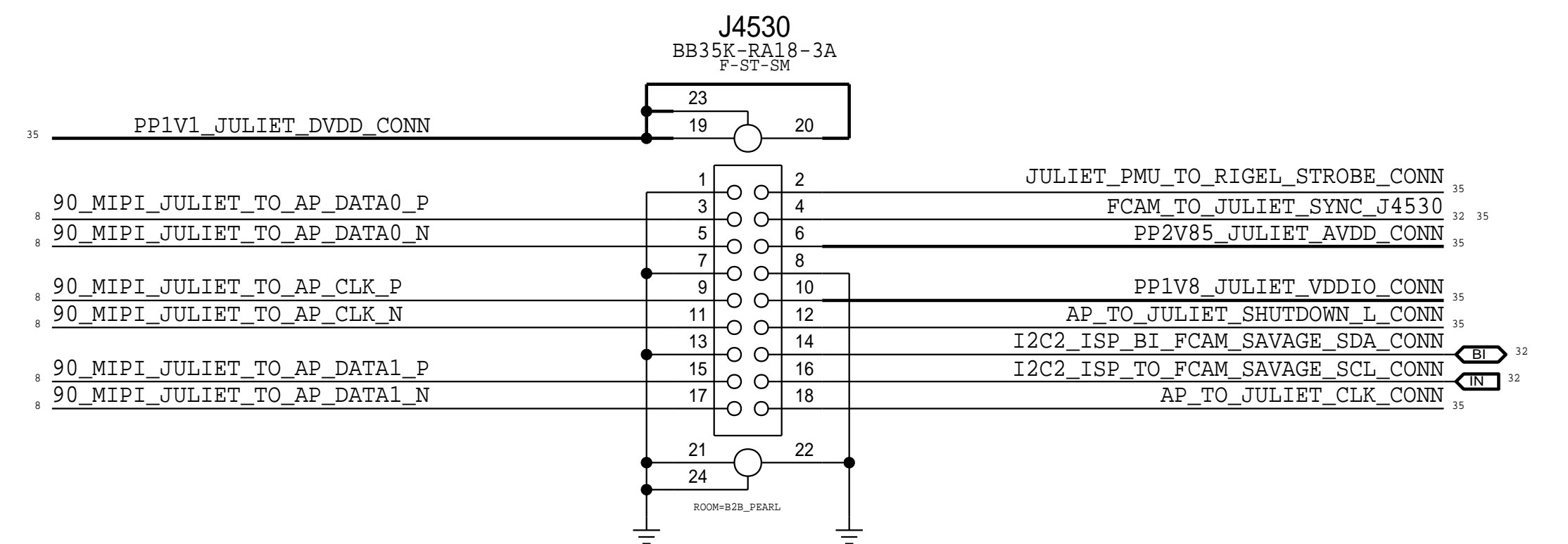


Juliet Power and I/O



Juliet Connector

Rcpt: 516S00244 <-- This one on MLB
Plug: 516S00245

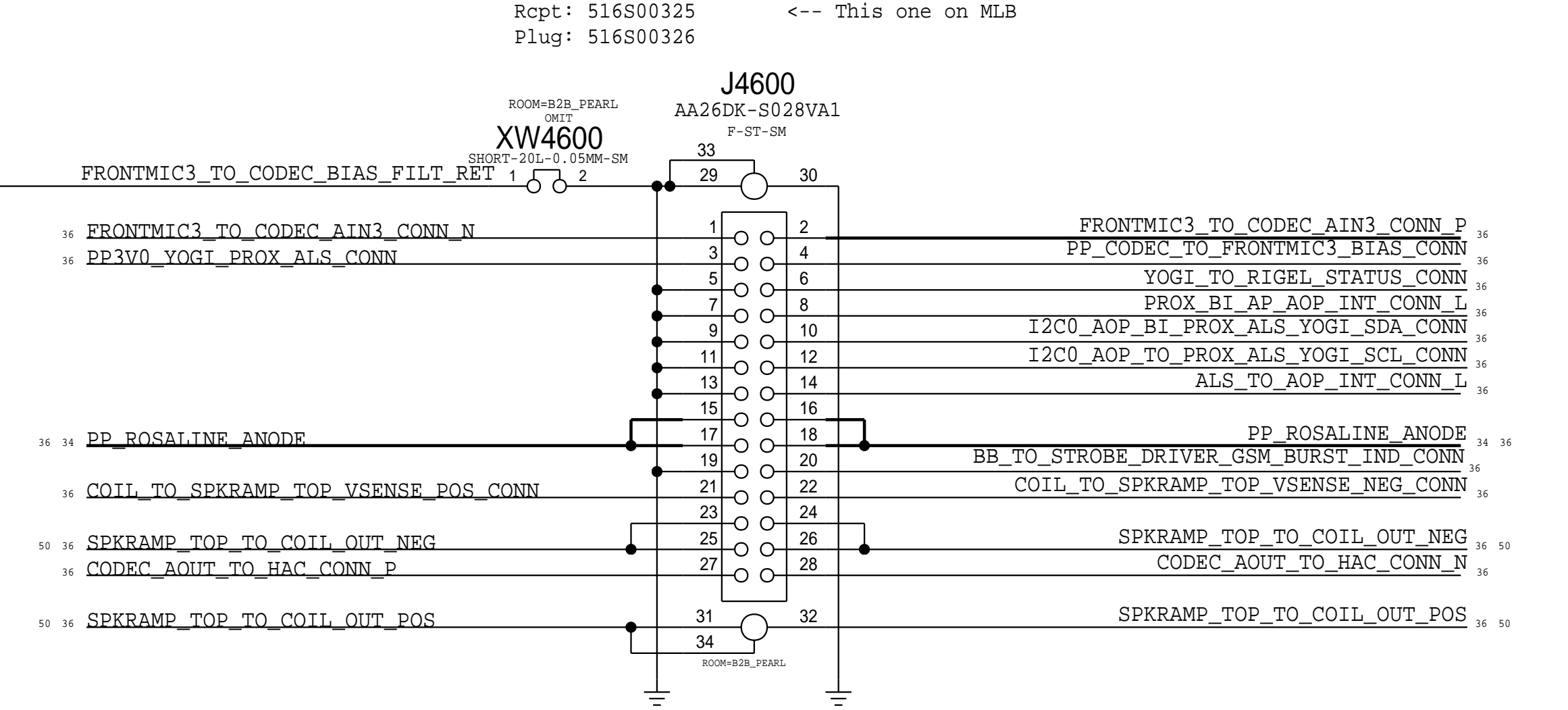
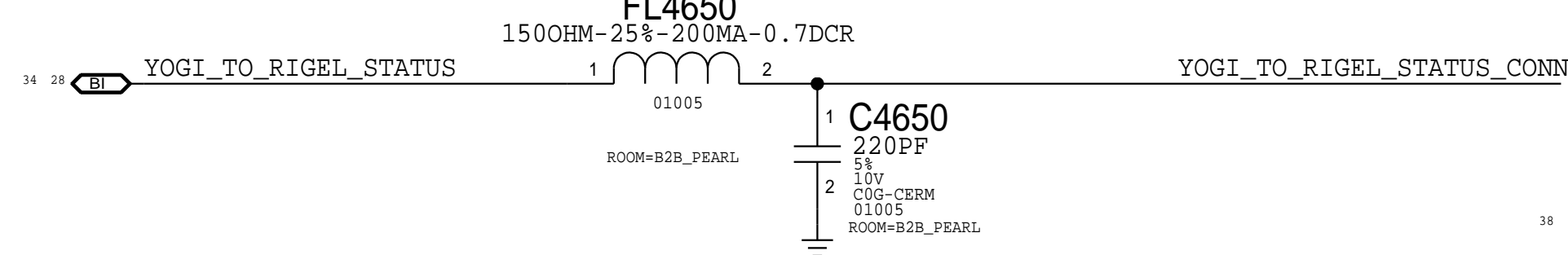
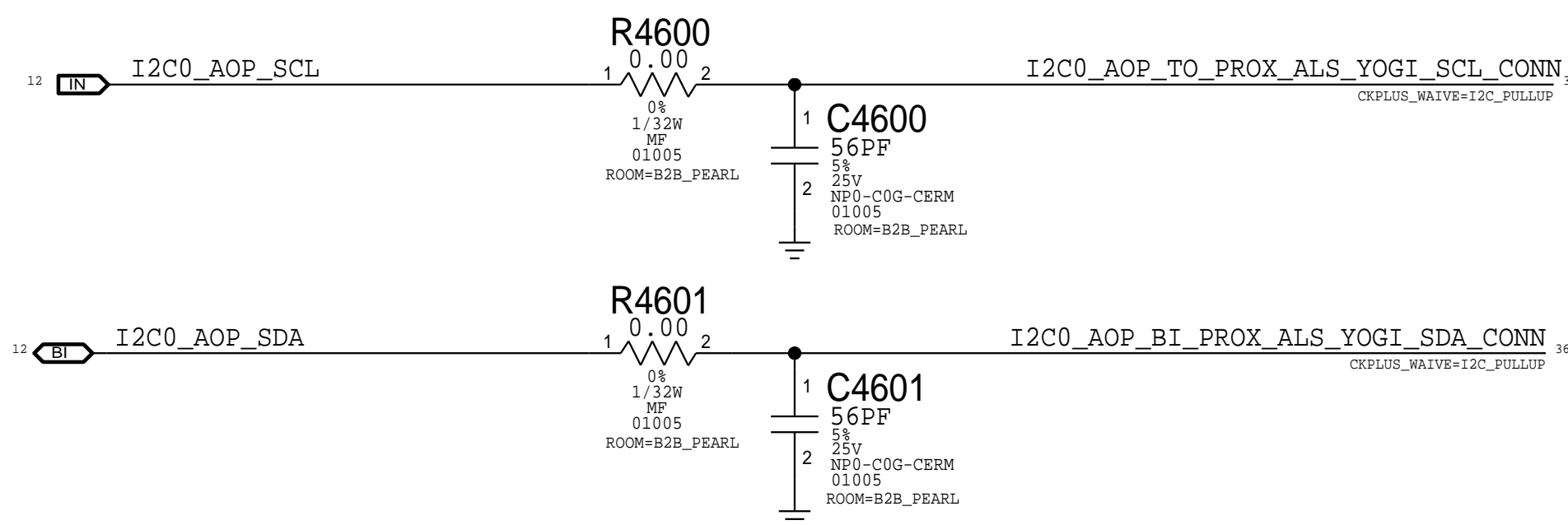


PAGE TITLE		
PEARL: B2B Romeo + Juliet		
	DRAWING NUMBER	051-02221
	REVISION	9.0.0
NOTICE OF PROPRIETARY PROPERTY: THE INFORMATION CONTAINED HEREIN IS THE PROPRIETARY PROPERTY OF APPLE INC. THE POSSESSOR AGREES TO THE FOLLOWING: I TO MAINTAIN THIS DOCUMENT IN CONFIDENCE II NOT TO REPRODUCE OR COPY IT III NOT TO REVEAL OR PUBLISH IT IN WHOLE OR PART IV ALL RIGHTS RESERVED	BRANCH	evt-1
	PAGE	45 OF 80
	SHEET	35 OF 51

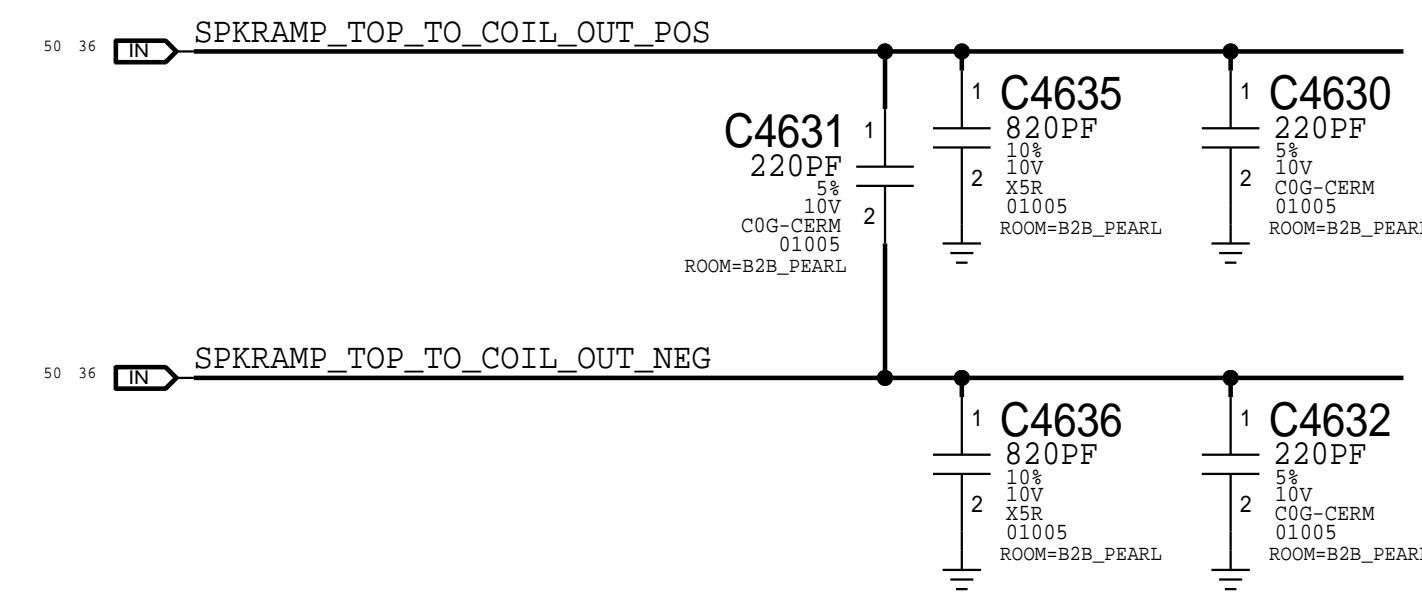
AOP I2C

Yogi Signals

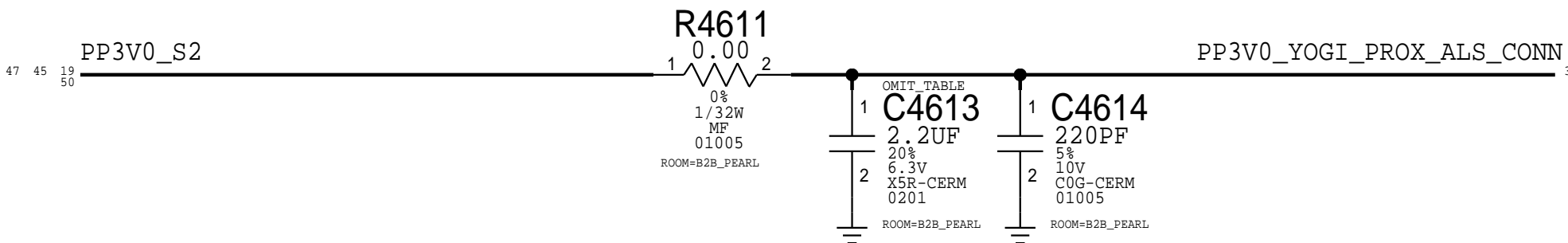
Rosaline + Misc Connector



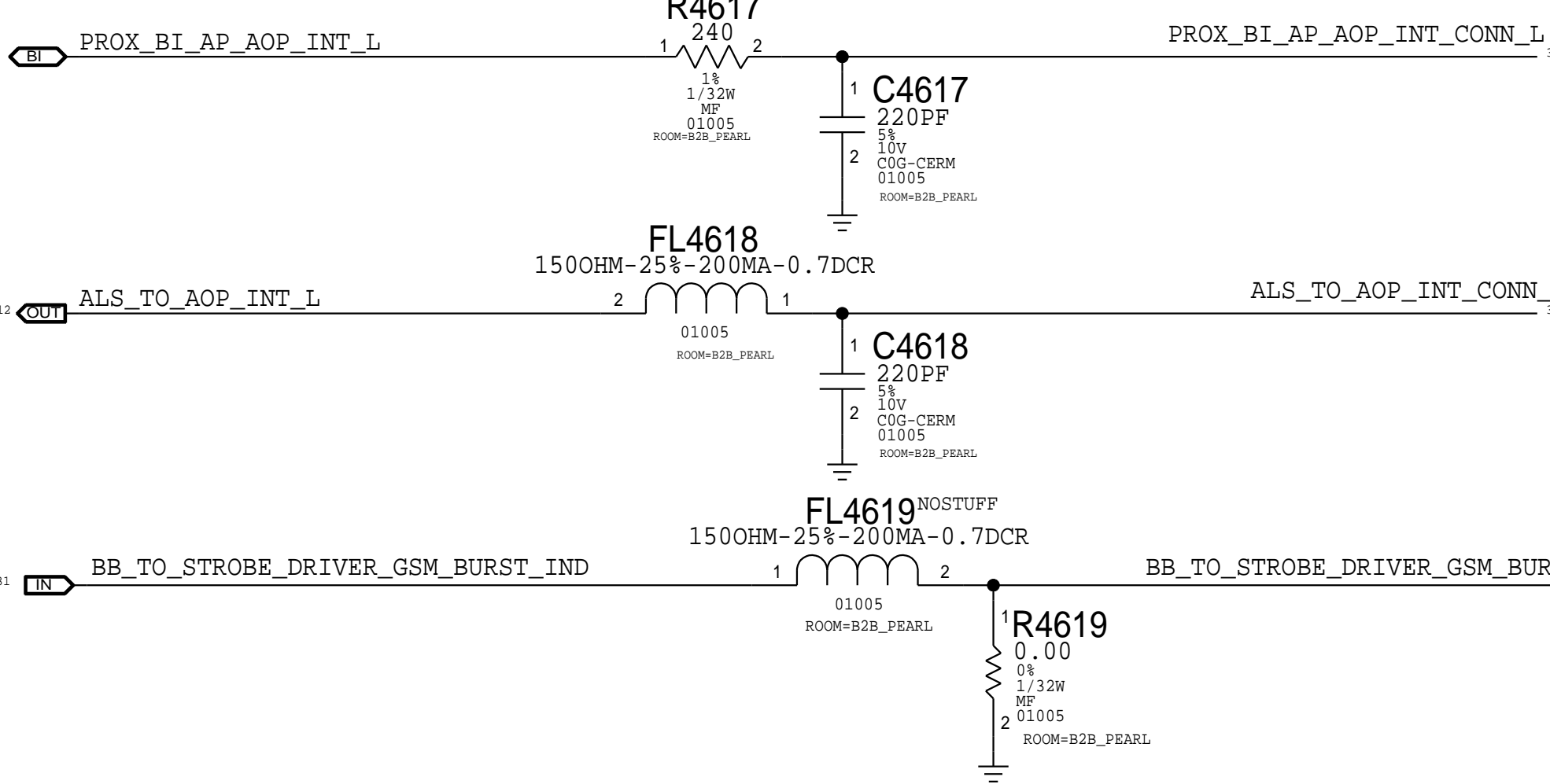
SPEAKER2



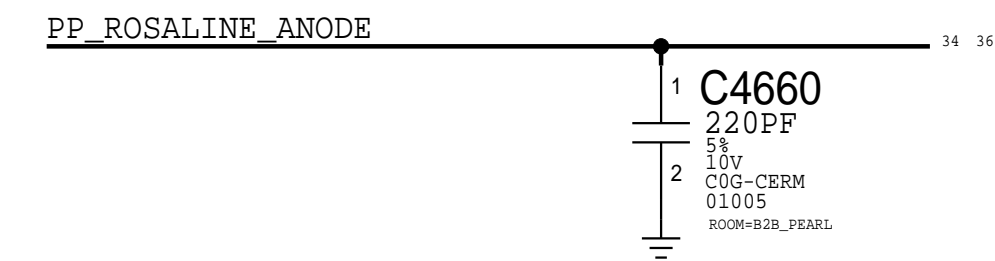
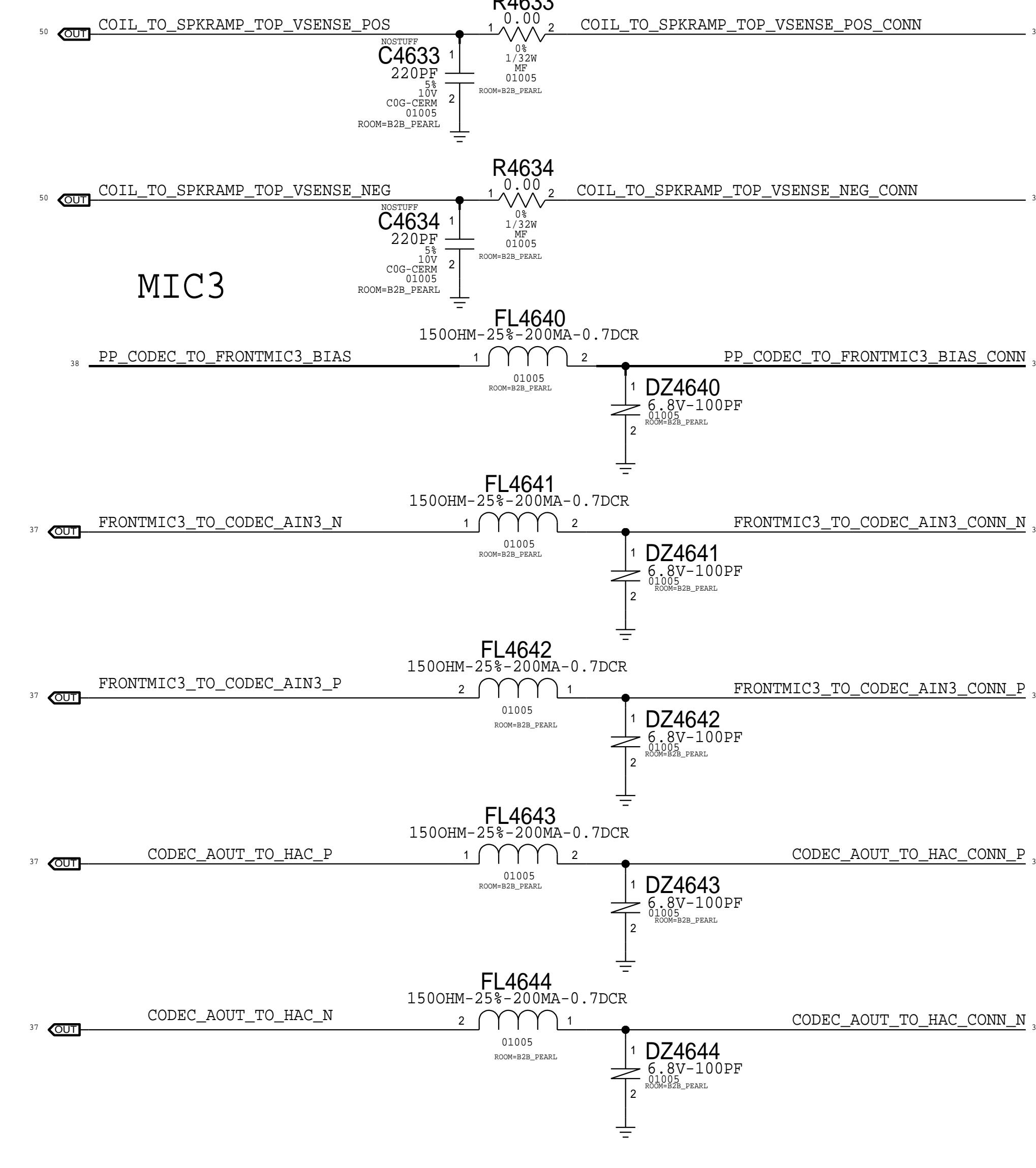
PROX & ALS POWER



PROX/ALS I/O

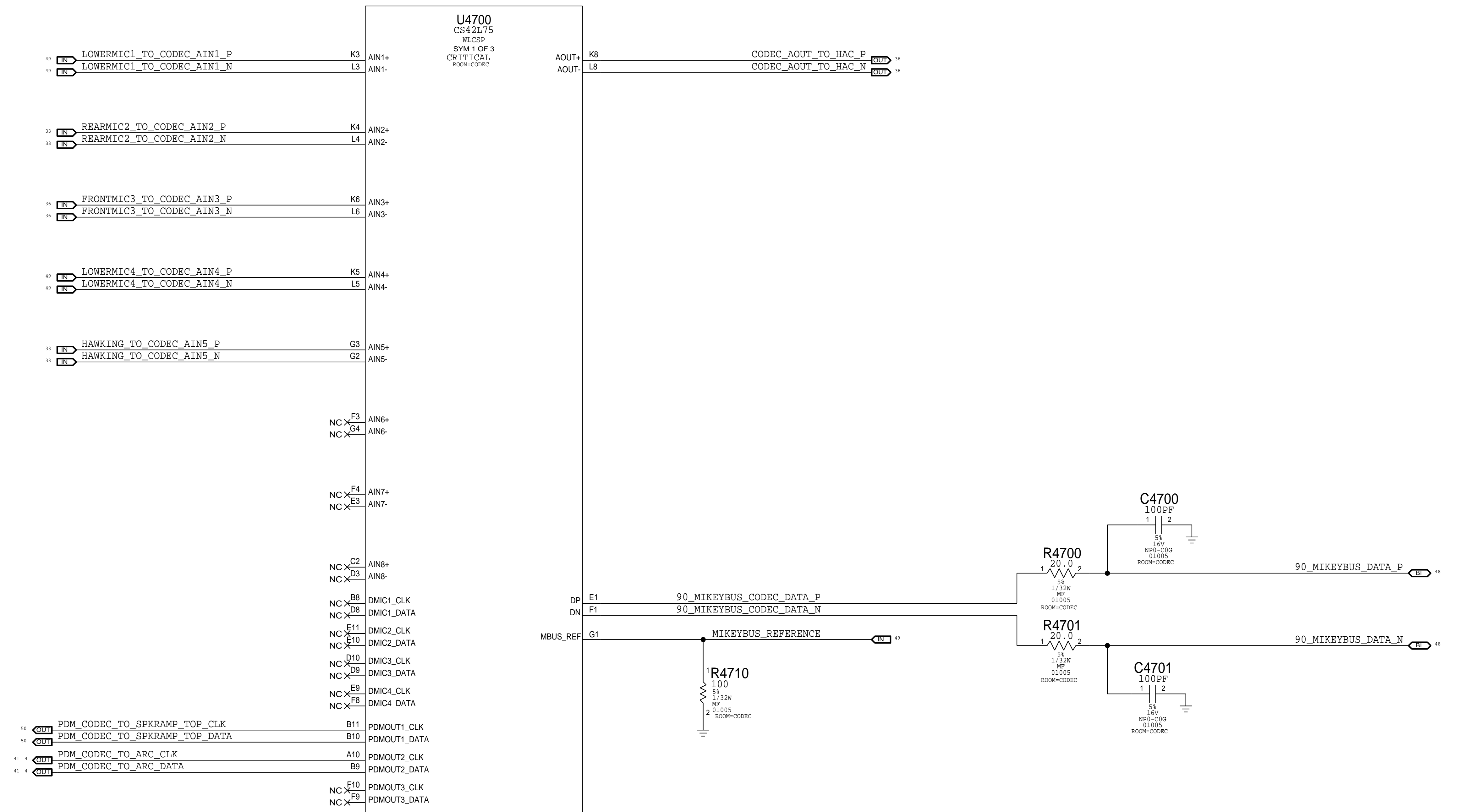


MIC3



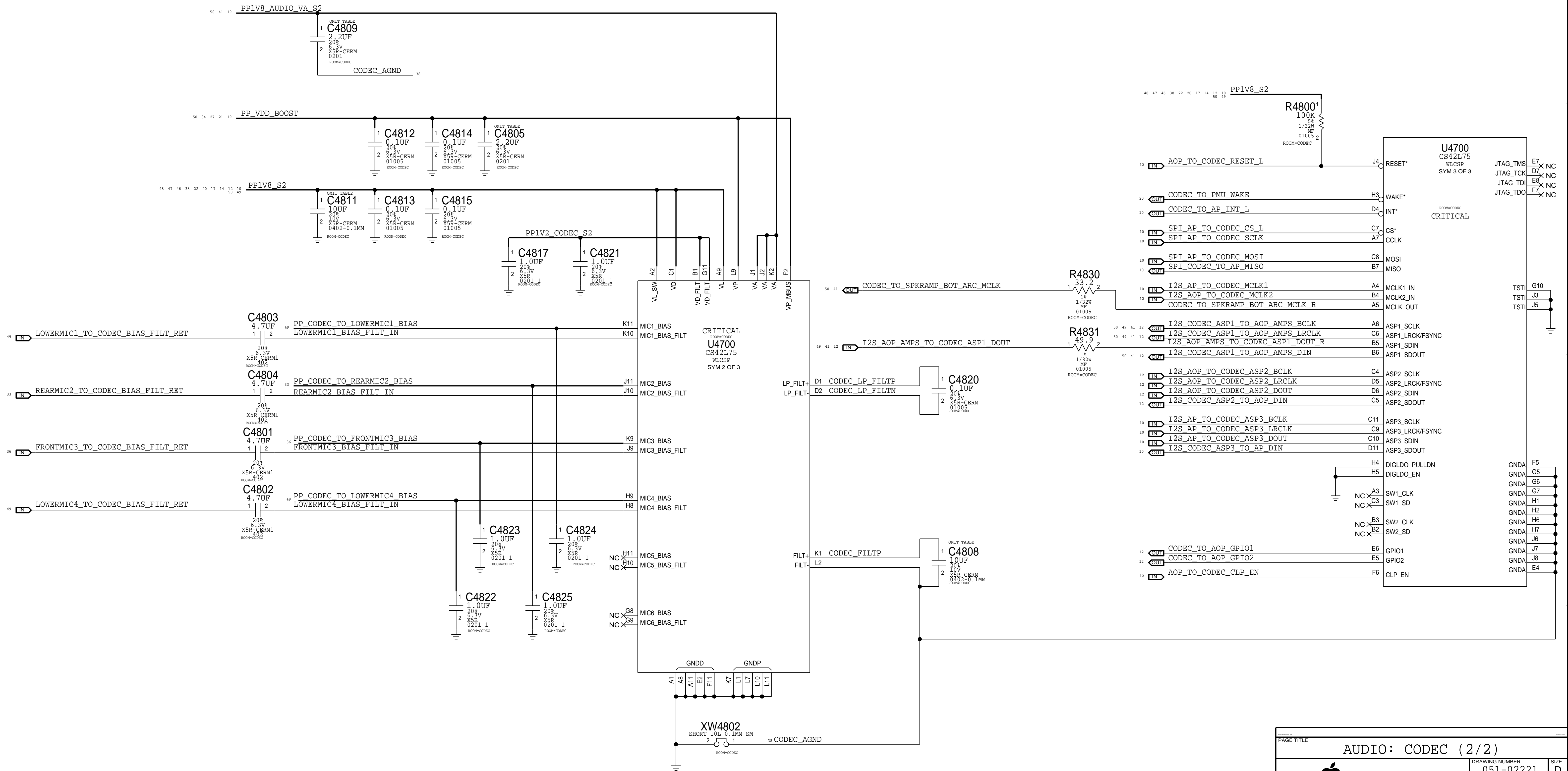
PAGE TITLE PEARL: B2B Rosaline + Misc		
Apple Inc.	DRAWING NUMBER 051-02221	SIZE D
	REVISION 9.0.0	BRANCH evt-1
NOTICE OF PROPRIETARY PROPERTY: THE INFORMATION CONTAINED HEREIN IS THE PROPRIETARY PROPERTY OF APPLE INC. THE POSSESSOR AGREES TO THE FOLLOWING: I TO MAINTAIN THIS DOCUMENT IN CONFIDENCE II NOT TO REPRODUCE OR COPY IT III NOT TO REVEAL OR PUBLISH IT IN WHOLE OR PART IV ALL RIGHTS RESERVED	PAGE 46 OF 80	SHEET 36 OF 51

CALLAN AUDIO CODEC (ANALOG INPUTS & OUTPUTS)



PAGE TITLE		
AUDIO: CODEC (1/2)		
	DRAWING NUMBER	051-02221
	REVISION	9.0.0
NOTICE OF PROPRIETARY PROPERTY: THE INFORMATION CONTAINED HEREIN IS THE PROPRIETARY PROPERTY OF APPLE INC. THE POSSESSOR AGREES TO THE FOLLOWING: I TO MAINTAIN THIS DOCUMENT IN CONFIDENCE II NOT TO REPRODUCE OR COPY IT III NOT TO REVEAL OR PUBLISH IT IN WHOLE OR PART IV ALL RIGHTS RESERVED	BRANCH	evt-1
	PAGE	47 OF 80
	SHEET	37 OF 51

CALLAN AUDIO CODEC (POWER & I/O)



PAGE TITLE		
AUDIO: CODEC (2/2)		
	DRAWING NUMBER	051-02221
	REVISION	9.0.0
NOTICE OF PROPRIETARY PROPERTY: THE INFORMATION CONTAINED HEREIN IS THE PROPRIETARY PROPERTY OF APPLE INC. THE POSSESSOR AGREES TO THE FOLLOWING: I TO MAINTAIN THIS DOCUMENT IN CONFIDENCE I NOT TO REPRODUCE OR COPY IT III NOT TO REVEAL OR PUBLISH IT IN WHOLE OR PART IV ALL RIGHTS RESERVED	BRANCH	evt-1
	PAGE	48 OF 80
	SHEET	38 OF 51

8

7

6

5

4

3

2

1

D

D

C

C


B

B

A

A

South Speaker Amplifier on MLB Bottom

PAGE TITLE		AUDIO: Speaker Amp Bottom		SYNC_DATE=08/25/2015	
 Apple Inc.	DRAWING NUMBER	051-02221	SIZE	D	
	REVISION	9.0.0			
NOTICE OF PROPRIETARY PROPERTY: <small>THE INFORMATION CONTAINED HEREIN IS THE PROPRIETARY PROPERTY OF APPLE INC. THE POSSESSOR AGREES TO THE FOLLOWING:</small> I TO MAINTAIN THIS DOCUMENT IN CONFIDENCE II NOT TO REPRODUCE OR COPY IT III NOT TO REVEAL OR PUBLISH IT IN WHOLE OR PART IV ALL RIGHTS RESERVED	BRANCH	evt-1			
	PAGE	49 OF 80			
	SHEET	39 OF 51			

8

7

6

5

4

3

2

1

8

7

6

5

4

3

2

1

D

D

C

C

B

B

A

A

North Speaker Amplifier on MLB Bottom

PAGE TITLE			AUDIO: Speaker Amp Top		
DRAWING NUMBER		051-02221	SIZE		D
REVISION		9.0.0			
NOTICE OF PROPRIETARY PROPERTY:		BRANCH			
<small>THE INFORMATION CONTAINED HEREIN IS THE PROPRIETARY PROPERTY OF APPLE INC. THE POSSESSOR AGREES TO THE FOLLOWING:</small> I TO MAINTAIN THIS DOCUMENT IN CONFIDENCE II NOT TO REPRODUCE OR COPY IT III NOT TO REVEAL OR PUBLISH IT IN WHOLE OR PART IV ALL RIGHTS RESERVED		evt-1 PAGE 50 OF 80 SHEET 40 OF 51			

8

7

6

5

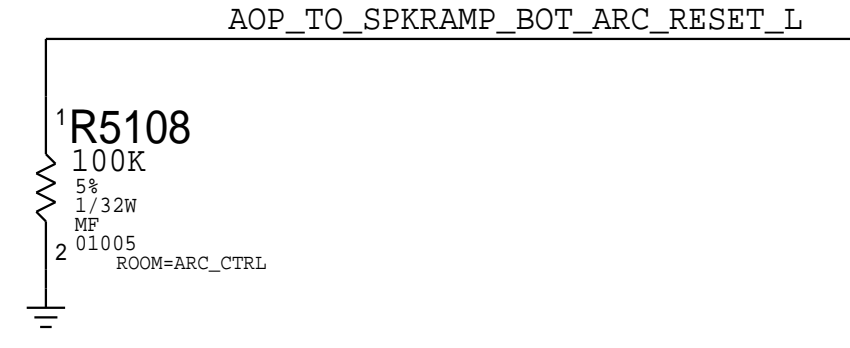
4

3

2

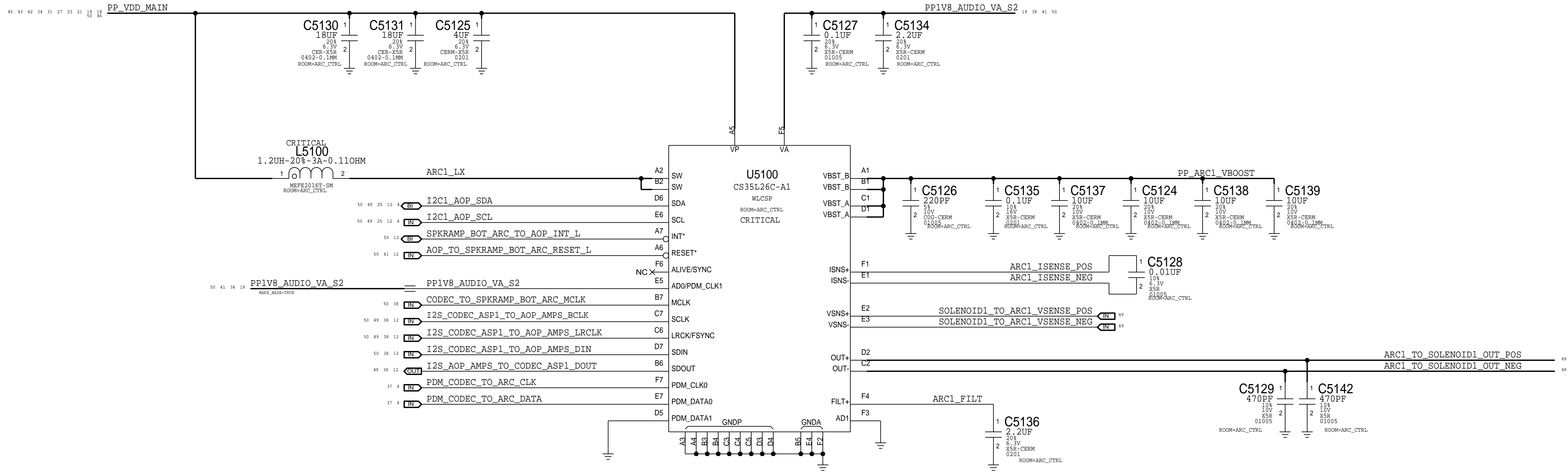
1

Pull Downs
AOP_TO_SPKRAMP_BOT_ARC_RESET_L 12 41 50



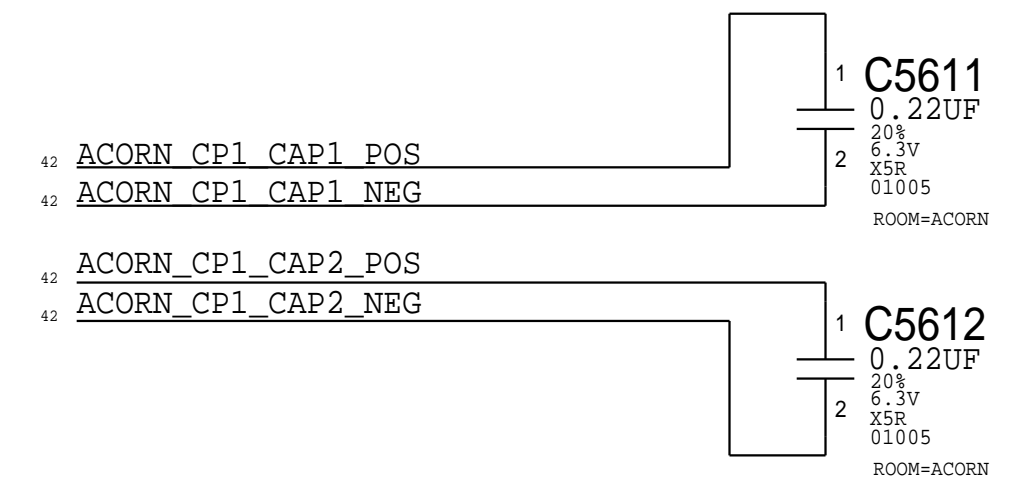
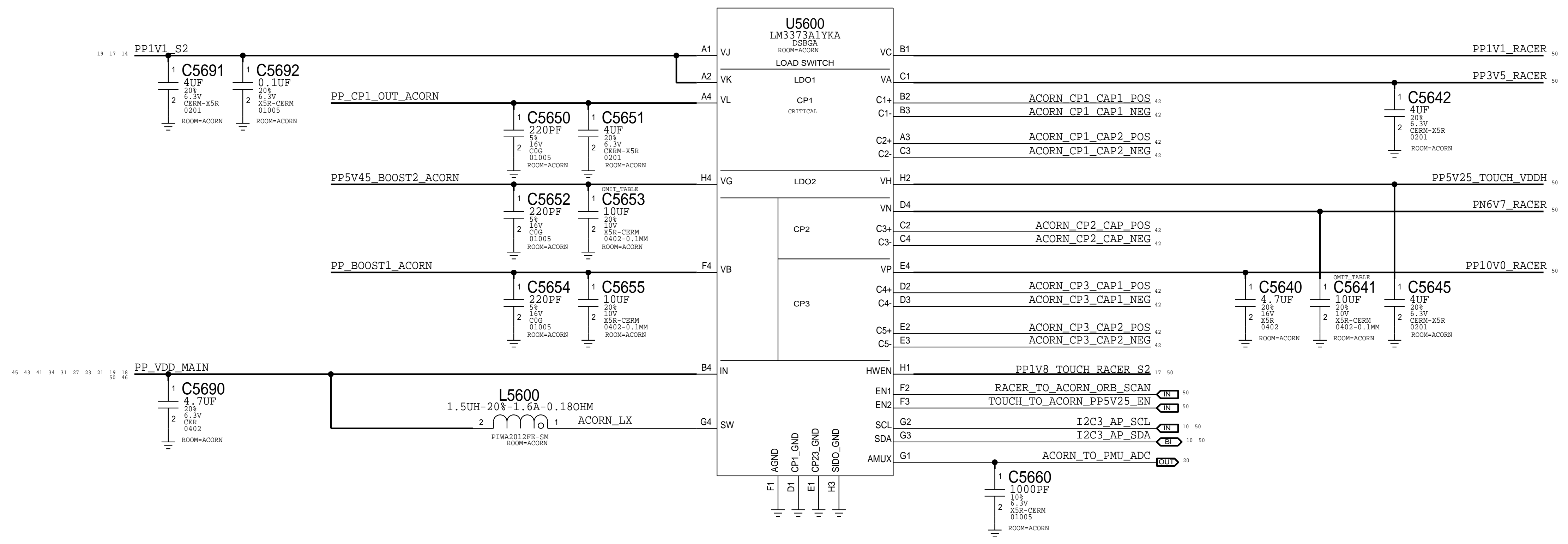
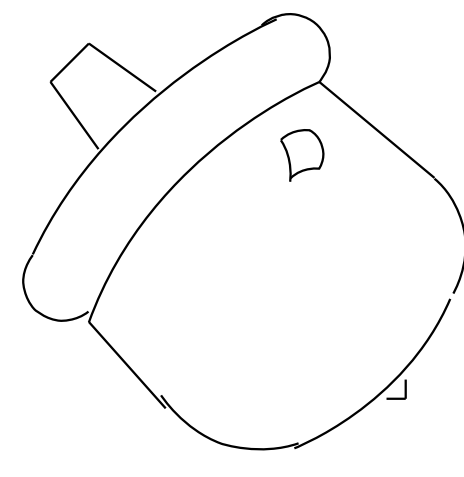
ARC DRIVER

APN: 338S00296
I2C ADDRESS: 1000 001x
0x82

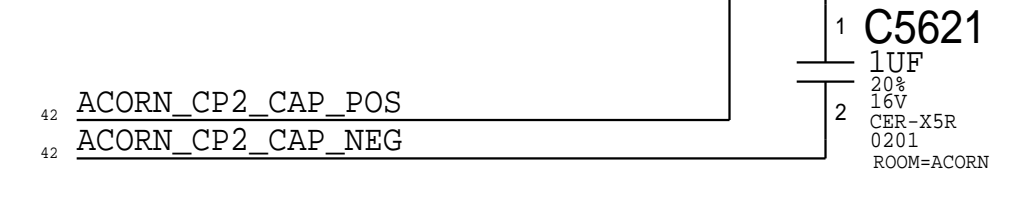


PAGE TITLE		
ARC: Driver		
	DRAWING NUMBER	051-02221
	REVISION	9.0.0
NOTICE OF PROPRIETARY PROPERTY: THE INFORMATION CONTAINED HEREIN IS THE PROPRIETARY PROPERTY OF APPLE INC. THE POSSESSOR AGREES TO THE FOLLOWING: I TO MAINTAIN THIS DOCUMENT IN CONFIDENCE II NOT TO REPRODUCE OR COPY IT III NOT TO REVEAL OR PUBLISH IT IN WHOLE OR PART IV ALL RIGHTS RESERVED	BRANCH	evt-1
	PAGE	51 OF 80
	SHEET	41 OF 51

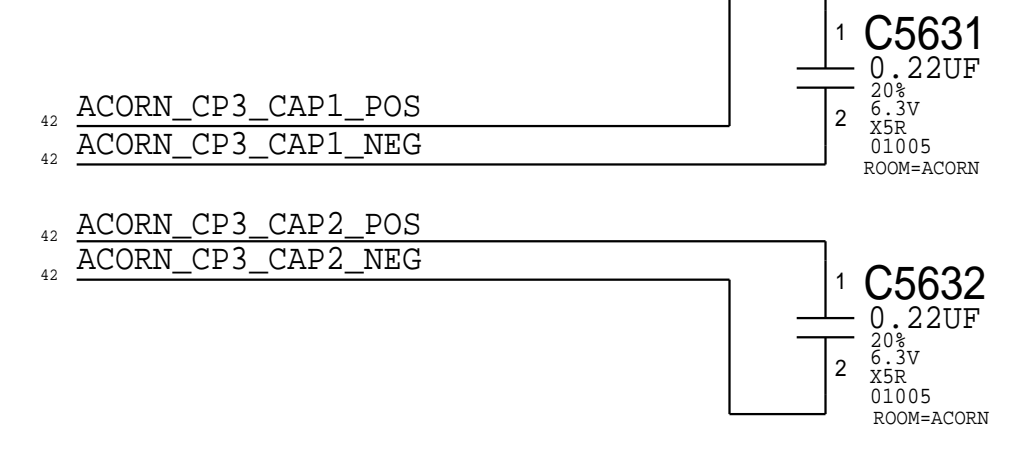
Acorn PMU



Charge Pump 2 Caps



Charge Pump 3 Caps

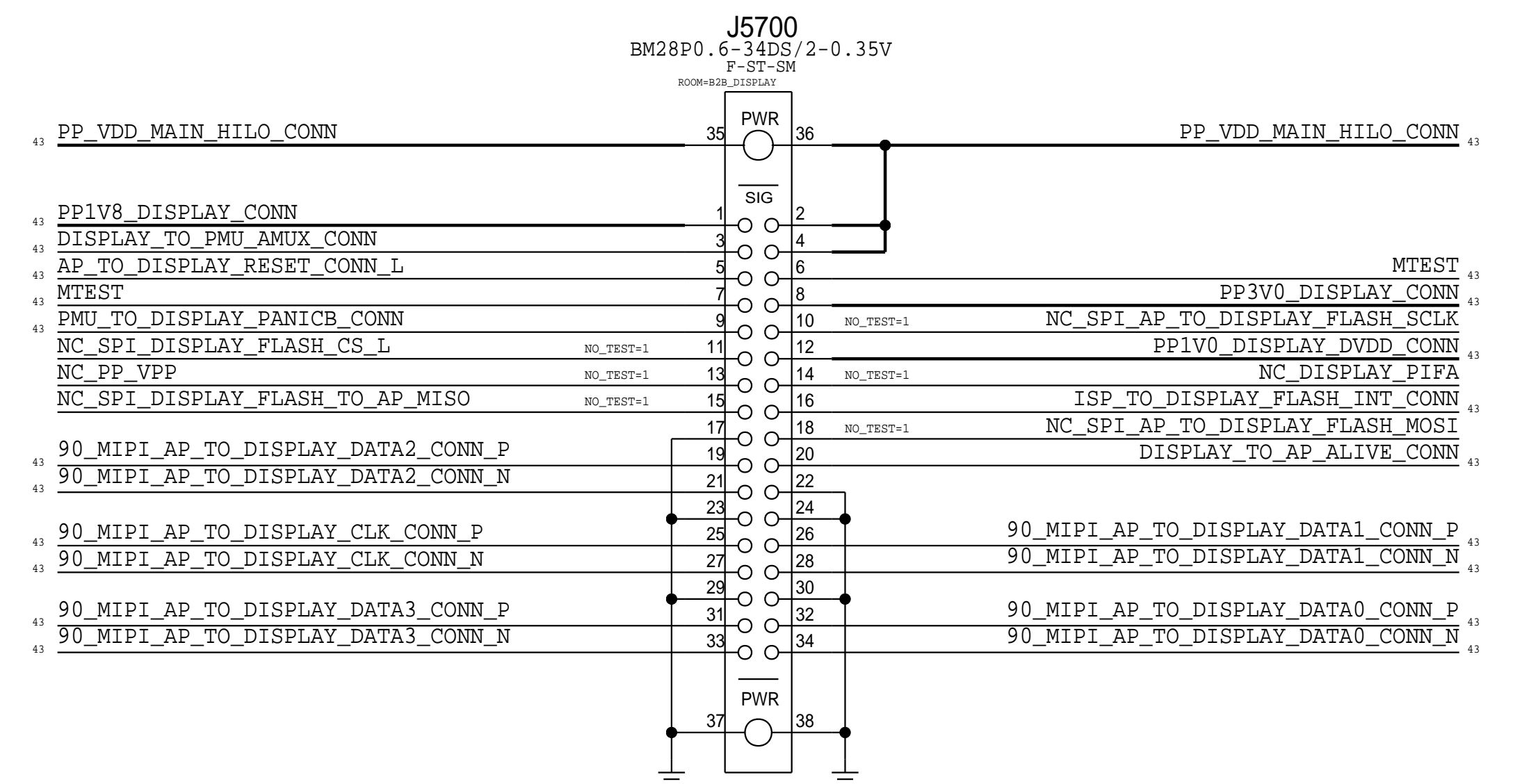
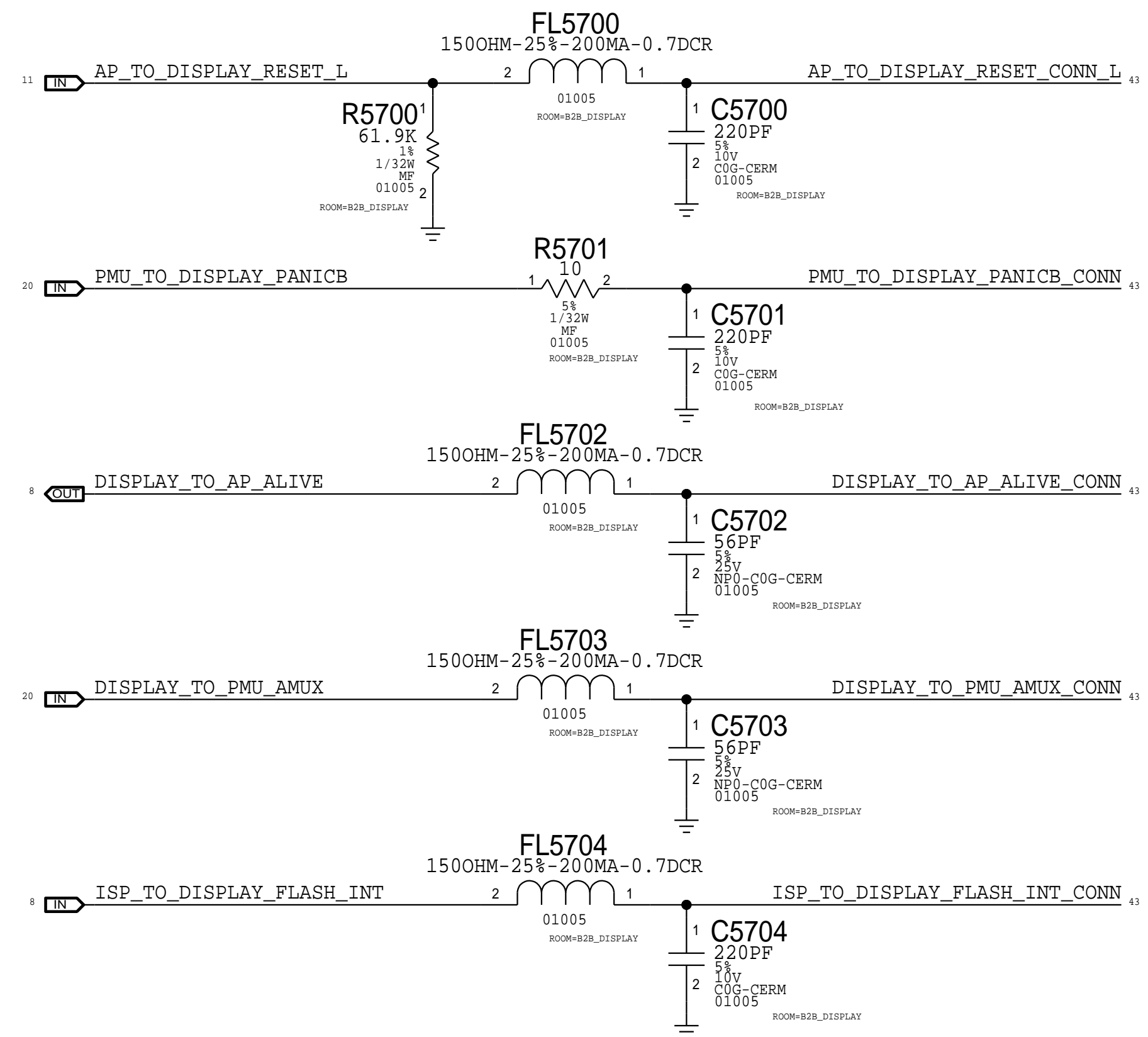


PAGE TITLE		
CG: Power Supplies - Touch & Display		
	DRAWING NUMBER	051-02221
	REVISION	9.0.0
NOTICE OF PROPRIETARY PROPERTY: THE INFORMATION CONTAINED HEREIN IS THE PROPRIETARY PROPERTY OF APPLE INC. THE POSSESSOR AGREES TO THE FOLLOWING: I TO MAINTAIN THIS DOCUMENT IN CONFIDENCE II NOT TO REPRODUCE OR COPY IT III NOT TO REVEAL OR PUBLISH IT IN WHOLE OR PART IV ALL RIGHTS RESERVED	BRANCH	evt-1
	PAGE	56 OF 80
	SHEET	42 OF 51

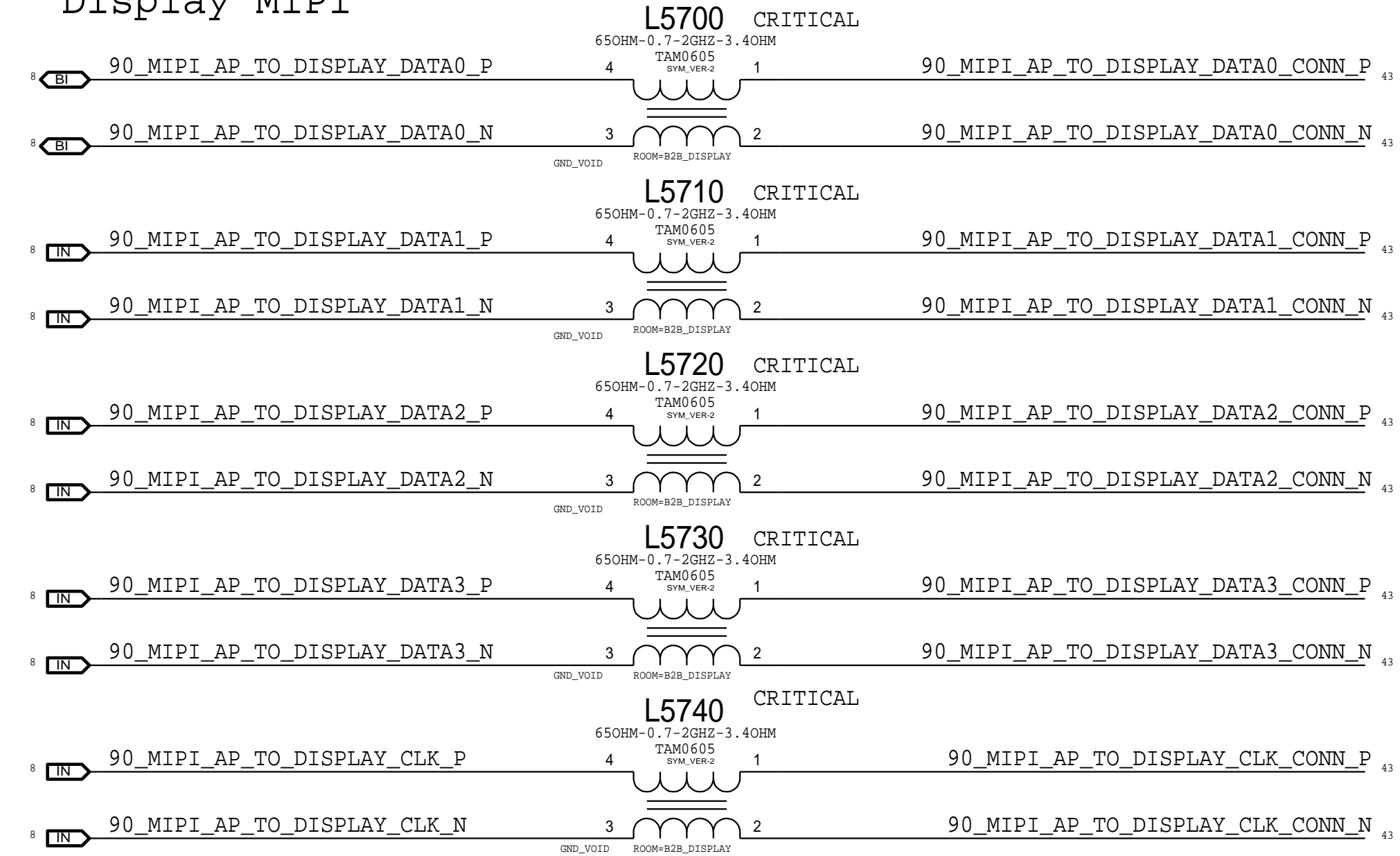
Display Flex Connector

Rept: 516S00210 <-- This one on MLB
 Plug: 516S00211

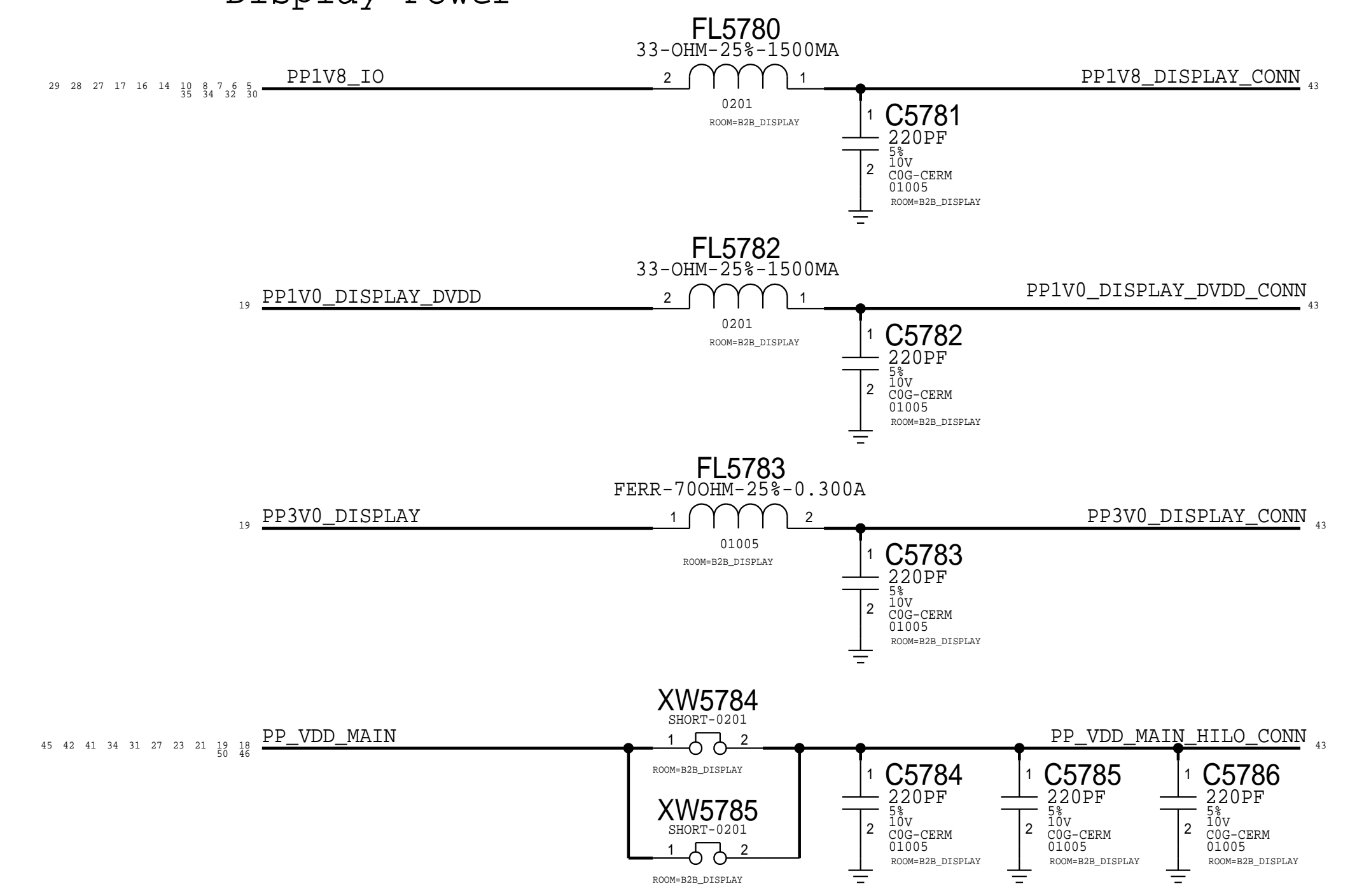
Display Control Signals



Display MIPI



Display Power



PAGE TITLE		
CG: B2B Display		
	DRAWING NUMBER	051-02221
	REVISION	9.0.0
NOTICE OF PROPRIETARY PROPERTY: THE INFORMATION CONTAINED HEREIN IS THE PROPRIETARY PROPERTY OF APPLE INC. THE POSSESSOR AGREES TO THE FOLLOWING: I TO MAINTAIN THIS DOCUMENT IN CONFIDENCE II NOT TO REPRODUCE OR COPY IT III NOT TO REVEAL OR PUBLISH IT IN WHOLE OR PART IV ALL RIGHTS RESERVED	BRANCH	evt-1
	PAGE	57 OF 80
	SHEET	43 OF 51

8

7

6

5

4

3

2

1

D

D

C

C


B

B

A

A

Orb + Touch Connector on MLB Bottom

PAGE TITLE		CG: B2B Orb & Touch		SYNC_DATE=08/25/2015	
 Apple Inc.	DRAWING NUMBER	051-02221	SIZE	D	
	REVISION	9.0.0			
NOTICE OF PROPRIETARY PROPERTY: <small>THE INFORMATION CONTAINED HEREIN IS THE PROPRIETARY PROPERTY OF APPLE INC. THE POSSESSOR AGREES TO THE FOLLOWING:</small> I TO MAINTAIN THIS DOCUMENT IN CONFIDENCE II NOT TO REPRODUCE OR COPY IT III NOT TO REVEAL OR PUBLISH IT IN WHOLE OR PART IV ALL RIGHTS RESERVED	BRANCH	evt-1			
	PAGE	58 OF 80			
	SHEET	44 OF 51			

8

7

6

5

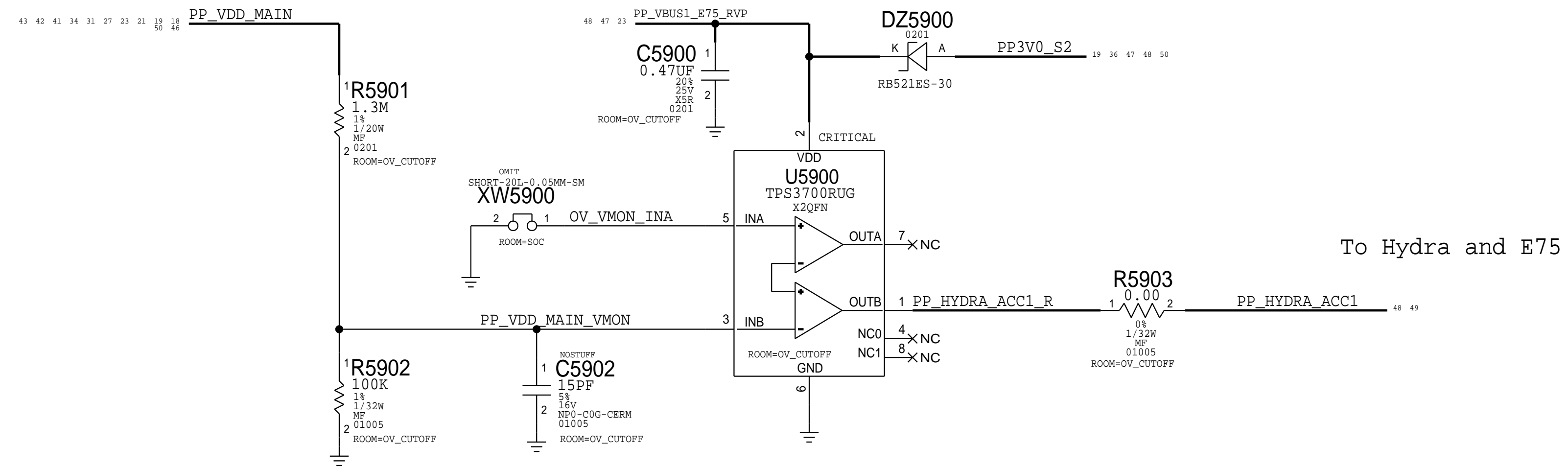
4

3

2

1

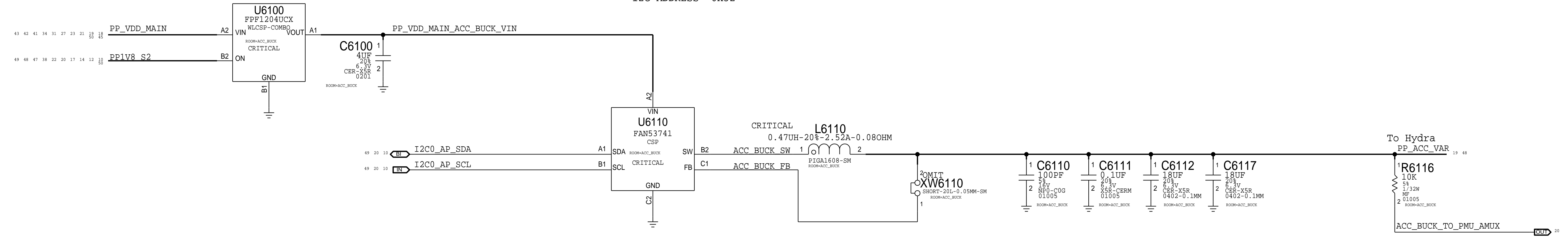
VDD_MAIN OV CUT-OFF CIRCUIT



PAGE TITLE		
I/O: Overvoltage Cut-Off Circuit		
	DRAWING NUMBER	051-02221
	REVISION	9.0.0
NOTICE OF PROPRIETARY PROPERTY: THE INFORMATION CONTAINED HEREIN IS THE PROPRIETARY PROPERTY OF APPLE INC. THE POSSESSOR AGREES TO THE FOLLOWING: I TO MAINTAIN THIS DOCUMENT IN CONFIDENCE II NOT TO REPRODUCE OR COPY IT III NOT TO REVEAL OR PUBLISH IT IN WHOLE OR PART IV ALL RIGHTS RESERVED	BRANCH	evt-1
	PAGE	59 OF 80
	SHEET	45 OF 51

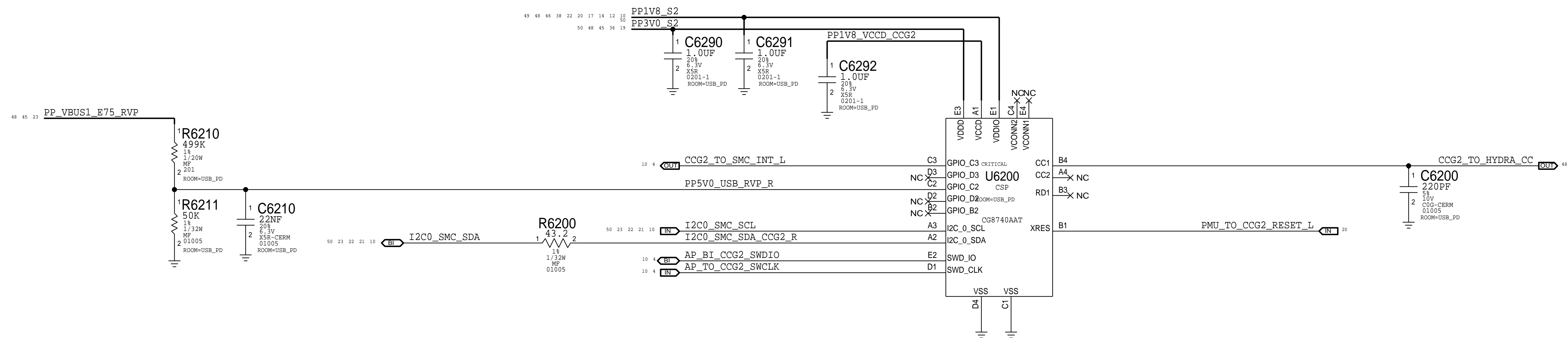
ACCESSORY BUCK

I2C ADDRESS: 0x52



PAGE TITLE		
I/O: Accessory Buck		
	DRAWING NUMBER	051-02221
	REVISION	9.0.0
NOTICE OF PROPRIETARY PROPERTY: THE INFORMATION CONTAINED HEREIN IS THE PROPRIETARY PROPERTY OF APPLE INC. THE POSSESSOR AGREES TO THE FOLLOWING: I TO MAINTAIN THIS DOCUMENT IN CONFIDENCE II NOT TO REPRODUCE OR COPY IT III NOT TO REVEAL OR PUBLISH IT IN WHOLE OR PART IV ALL RIGHTS RESERVED		BRANCH
		PAGE
		SHEET
		46 OF 51

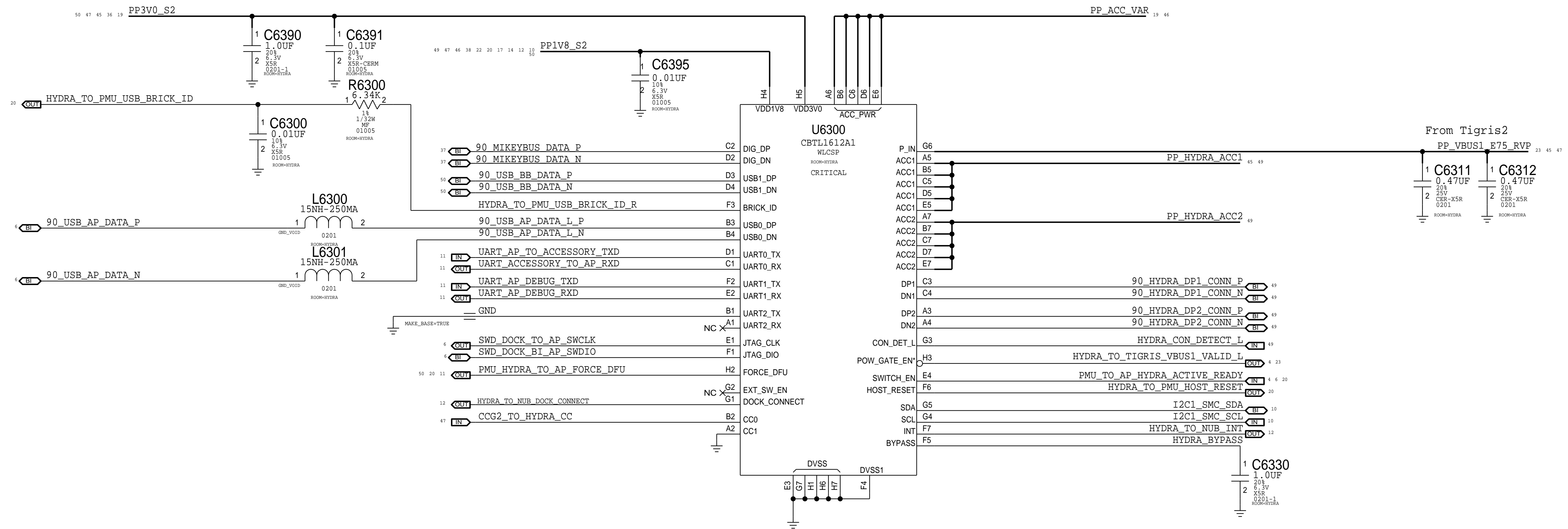
USB-PD



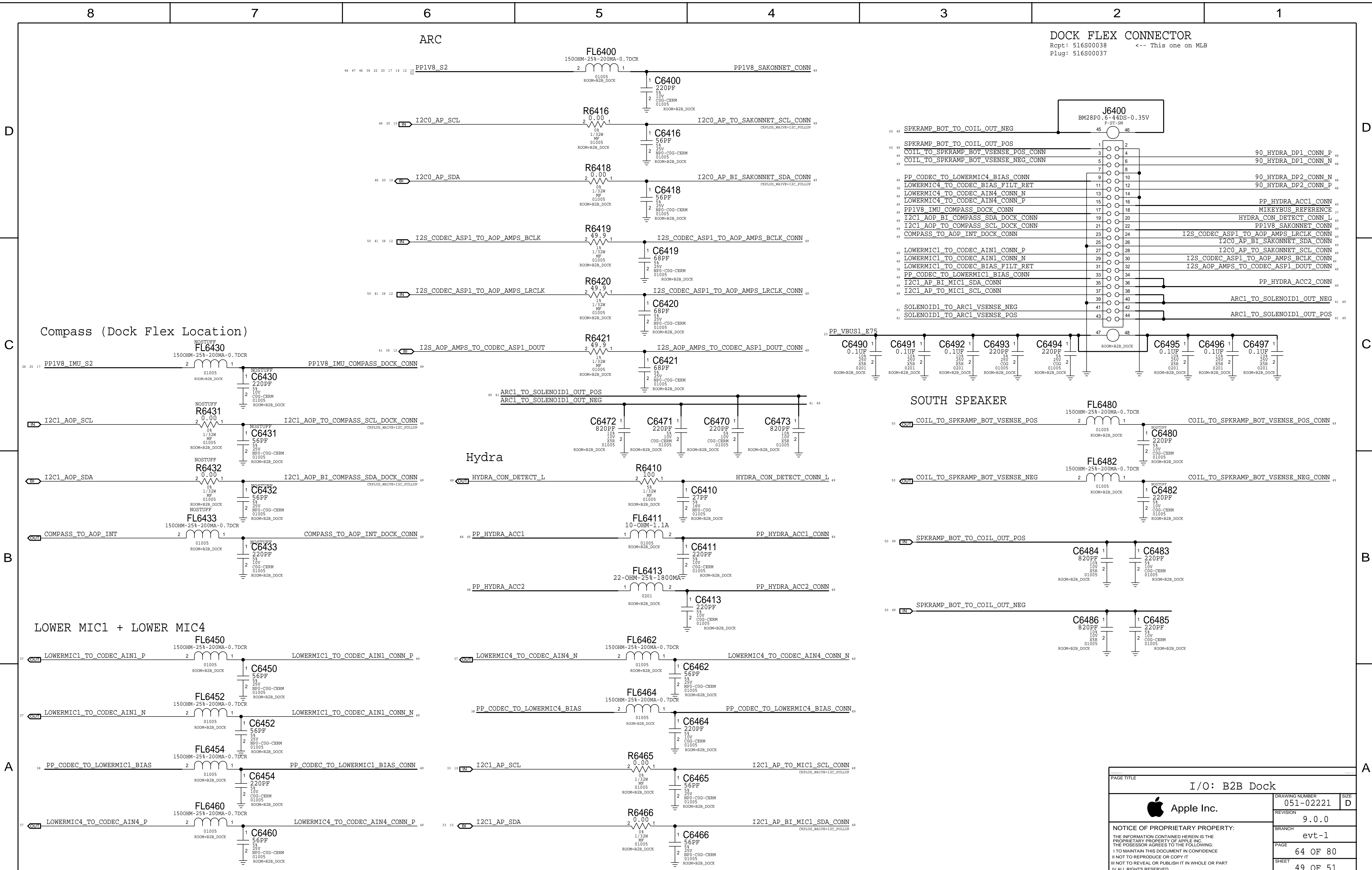
PAGE TITLE		
I/O: USB PD		
	DRAWING NUMBER	051-02221
	REVISION	9.0.0
NOTICE OF PROPRIETARY PROPERTY: THE INFORMATION CONTAINED HEREIN IS THE PROPRIETARY PROPERTY OF APPLE INC. THE POSSESSOR AGREES TO THE FOLLOWING: I TO MAINTAIN THIS DOCUMENT IN CONFIDENCE II NOT TO REPRODUCE OR COPY IT III NOT TO REVEAL OR PUBLISH IT IN WHOLE OR PART IV ALL RIGHTS RESERVED		BRANCH
		PAGE
		SHEET
		47 OF 51

Hydra

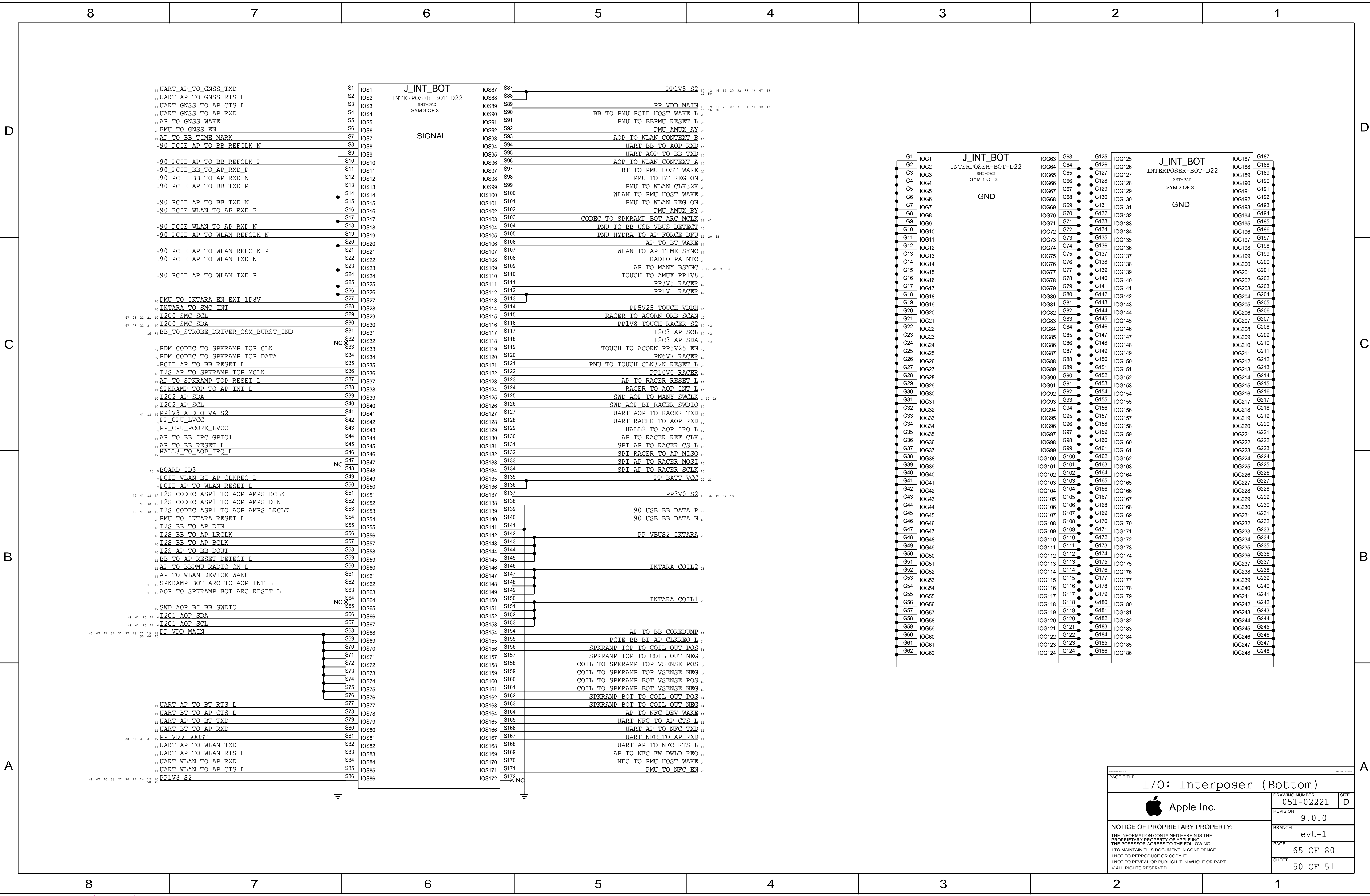
I2C Address: 0011010X



PAGE TITLE		
I/O: Hydra		
	DRAWING NUMBER	051-02221
	REVISION	9.0.0
NOTICE OF PROPRIETARY PROPERTY: THE INFORMATION CONTAINED HEREIN IS THE PROPRIETARY PROPERTY OF APPLE INC. THE POSSESSOR AGREES TO THE FOLLOWING: I TO MAINTAIN THIS DOCUMENT IN CONFIDENCE II NOT TO REPRODUCE OR COPY IT III NOT TO REVEAL OR PUBLISH IT IN WHOLE OR PART IV ALL RIGHTS RESERVED	BRANCH	evt-1
	PAGE	63 OF 80
	SHEET	48 OF 51



PAGE TITLE		
I/O: B2B Dock		
		DRAWING NUMBER 051-02221
NOTICE OF PROPRIETARY PROPERTY: THE INFORMATION CONTAINED HEREIN IS THE PROPRIETARY PROPERTY OF APPLE INC. THE POSSESSOR AGREES TO THE FOLLOWING: I TO MAINTAIN THIS DOCUMENT IN CONFIDENCE II NOT TO REPRODUCE OR PUBLISH IT IN WHOLE OR PART III NOT TO REVEAL OR PUBLISH IT IN WHOLE OR PART IV ALL RIGHTS RESERVED		REVISION 9.0.0
		BRANCH evt-1
PAGE 64 OF 80		SHEET 49 OF 51



PAGE TITLE I/O: Interposer (Bottom)		
	DRAWING NUMBER 051-02221	SIZE D
	REVISION 9.0.0	
NOTICE OF PROPRIETARY PROPERTY: <small>THE INFORMATION CONTAINED HEREIN IS THE PROPRIETARY PROPERTY OF APPLE INC. THE POSSESSOR AGREES TO THE FOLLOWING: I TO MAINTAIN THIS DOCUMENT IN CONFIDENCE II NOT TO REPRODUCE OR COPY IT III NOT TO REVEAL OR PUBLISH IT IN WHOLE OR PART IV ALL RIGHTS RESERVED</small>	BRANCH evt-1	
	PAGE 65 OF 80	
	SHEET 50 OF 51	

8

7

6

5

4

3

2

1

D

D

C

C


B

B

A

A

Radios on MLB Bottom

PAGE TITLE			RADIOS			SYNC_DATE=06/04/2015		
 Apple Inc.		DRAWING NUMBER	051-02221	SIZE	D			
		REVISION	9.0.0					
NOTICE OF PROPRIETARY PROPERTY: THE INFORMATION CONTAINED HEREIN IS THE PROPRIETARY PROPERTY OF APPLE INC. THE POSSESSOR AGREES TO THE FOLLOWING: I TO MAINTAIN THIS DOCUMENT IN CONFIDENCE II NOT TO REPRODUCE OR COPY IT III NOT TO REVEAL OR PUBLISH IT IN WHOLE OR PART IV ALL RIGHTS RESERVED		BRANCH	evt-1					
		PAGE	80 OF 80					
		SHEET	51 OF 51					

8

7

6

5

4

3

2

1

8

7

6

5

4

3

2

1

1. ALL RESISTANCE VALUES ARE IN OHMS, 0.1 WATT +/- 5%.
 2. ALL CAPACITANCE VALUES ARE IN MICROFARADS.
 3. ALL CRYSTALS & OSCILLATOR VALUES ARE IN HERTZ.

REV	ECN	DESCRIPTION OF REVISION	CK APPD	DATE
7	0008448938	ENGINEERING RELEASED		2017-04-11

X893 MLB Bottom: EVT

LAST_MODIFICATION=Tue Apr 11 16:10:11 2017

PAGE	CSA	CONTENTS	SYNC	DATE
1	1	TABLE OF CONTENTS		07/29/2016
2	2	SYSTEM:BOM Tables		03/08/2017
3	4	SYSTEM: Mechanical Components		12/01/2016
4	6	BOOTSTRAPPING		11/03/2016
5	7	SYSTEM: Testpoints (Bottom)	test_mlb	01/17/2017
6	34	SYSTEM POWER: Iktara	mlb_bot	04/04/2017
7	49	AUDIO: Speaker Amp Bottom	mlb_bot	04/04/2017
8	50	AUDIO: Speaker Amp Top	mlb_bot	04/04/2017
9	55	HALL EFFECT	mlb_bot	04/04/2017
10	58	CG: B2B Luna & Touch	mlb_bot	04/04/2017
11	66	I/O: Interposer (Top)	mlb_bot	04/04/2017
12	80	RADIOS		07/29/2016
13	1	RADIO_MLB		
14	2	BASEBAND		
15	3	BASEBAND MEMORY/DEBUG		
16	4	BASEBAND POWER		
17	5	BASEBAND PMIC		
18	6	TRANSCEIVERS		
19	7	ET MODULATOR		
20	8	TDD TRANSMIT		
21	9	FDD TRANSMIT		
22	10	PRIMARY RECEIVE		
23	11	LOWER ANTENNA & COUPLERS		
24	12	DIVERSITY RECEIVE ASM'S		
25	13	DIVERSITY RECEIVE LNA'S		
26	14	UPPER ANTENNA FEEDS		
27	15	GNSS		
28	16	TEST POINTS & SIM		
29	17	RF CONNECTORS AND MC		
30	1	SymbolPorts		
31	4	Guinness	WIFI	01/30/2014
32	5	wifiantFeeds		
33	1	page1		
34	75	NFC		

PAGE	CSA	CONTENTS	SYNC	DATE

Sub Designs

SOURCE PROJECT	SUB-DESIGN NAME	VERSION	HARD/ SOFT	SYNC_DATE/TIME
D221	RADIO_MLB	0.115.0	S	2017_04_05_18:48:43
D22	NFC_MLB	0.22.0	S	2017_03_22_22:11:23
D22	WIFI_MLB	0.20.0	S	2017_04_04_09:54:33

BOM: 639-03229
 MCO: 056-04080

PART#	QTY	DESCRIPTION	REFERENCE DESIGNATOR(S)	CRITICAL	BOM OPTION
051-02247	1	SCH_MLB_BOT_X893	SCH	NO	COMMON
820-00869	1	PCB_MLB_BOT_X893	PCB	NO	COMMON

TABLE OF CONTENTS SYNC_DATE=07/29/2016

DRAWING TITLE SCH,MLB,BOT,X893		DRAWING NUMBER 051-02247		SIZE D
		REVISION 7.0.0	BRANCH evt-1	
		PAGE 1 OF 80		SHEET 1 OF 34
		NOTICE OF PROPRIETARY PROPERTY: THE INFORMATION CONTAINED HEREIN IS THE PROPRIETARY PROPERTY OF APPLE INC. THE POSSESSOR AGREES TO THE FOLLOWING: I TO MAINTAIN THIS DOCUMENT IN CONFIDENCE II NOT TO REPRODUCE OR COPY IT III NOT TO REVEAL OR PUBLISH IT IN WHOLE OR PART IV ALL RIGHTS RESERVED		

EEEE Codes

PART#	QTY	DESCRIPTION	REFERENCE DESIGNATOR(S)	CRITICAL	BOM OPTION
825-7691	1	EEEE FOR (MLB_BOT, 639-03229)	EEEE_HM07	NO	COMMON

Global Capacitors

PART NUMBER	ALTERNATE FOR PART NUMBER	BOM OPTION	REF DES	COMMENTS:
138S00148	138S00149	BOM_TABLE_ALTS	ALL	0402-3T,10.5uF@1V, Kyocera
138S00150	138S00149	BOM_TABLE_ALTS	ALL	0402-3T,10.5uF@1V, SEMCO
138S00151	138S00149	BOM_TABLE_ALTS	ALL	0402-3T,10.5uF@1V, TT

CRITICAL PART#	COMMENT
138S00149	0402-3T,10.5uF@1V

PART NUMBER	ALTERNATE FOR PART NUMBER	BOM OPTION	REF DES	COMMENTS:
138S00143	138S00144	BOM_TABLE_ALTS	ALL	0402.16uF@1V, Kyocera
138S00163	138S00144	BOM_TABLE_ALTS	ALL	0402.16uF@1V, Taiyo

CRITICAL PART#	COMMENT
138S00144	0402.16uF@1V

PART NUMBER	ALTERNATE FOR PART NUMBER	BOM OPTION	REF DES	COMMENTS:
138S00138	138S00139	BOM_TABLE_ALTS	ALL	0201.3uF@1V, Kyocera
138S00164	138S00139	BOM_TABLE_ALTS	ALL	0201.3uF@1V, Taiyo

CRITICAL PART#	COMMENT
138S00139	0201.3uF@1V

PART NUMBER	ALTERNATE FOR PART NUMBER	BOM OPTION	REF DES	COMMENTS:
138S00145	138S00146	BOM_TABLE_ALTS	ALL	0402.5.1uF@3V, Kyocera
138S00165	138S00146	BOM_TABLE_ALTS	ALL	0402.5.1uF@3V, Taiyo

CRITICAL PART#	COMMENT
138S00146	0402.5.1uF@3V

PART NUMBER	ALTERNATE FOR PART NUMBER	BOM OPTION	REF DES	COMMENTS:
138S00140	138S00141	BOM_TABLE_ALTS	ALL	0201.1.1uF@3V, Kyocera
138S00142	138S00141	BOM_TABLE_ALTS	ALL	0201.1.1uF@3V, SEMCO
138S00166	138S00141	BOM_TABLE_ALTS	ALL	0201.1.1uF@3V, Taiyo

CRITICAL PART#	COMMENT
138S00141	0201.1.1uF@3V

Global Ferrites

PART NUMBER	ALTERNATE FOR PART NUMBER	BOM OPTION	REF DES	COMMENTS:
152S00558	152S00557	BOM_TABLE_ALTS	ALL	IMD_MLD,0.47UH,20H,2.5A,80MD,1608
155S00194	155S0610	BOM_TABLE_ALTS	ALL	FERR BD,150 OHM,25A,200MA,0.7 DCR,01005
155S00200	155S0610	BOM_TABLE_ALTS	ALL	FERR BD,150 OHM,25A,200MA,0.7 DCR,01005

CRITICAL PART#	COMMENT
152S00557	IMD_MLD,0.47UH,20H,2.5A,80MD,1608
155S0610	FERR BD,150 OHM,25A,200MA,0.7 DCR,01005

Global R/C Alternates

PART NUMBER	ALTERNATE FOR PART NUMBER	BOM OPTION	REF DES	COMMENTS:
138S0648	138S0652	BOM_TABLE_ALTS	ALL	CAP_XSR,4.7UF,6.3V,0.65MM,0402,TAIYO
138S00024	138S0986	BOM_TABLE_ALTS	ALL	CAP_CER,3.3UF,50V,20H,4V,0402,TAIYO/TSE
138S0706	138S0739	BOM_TABLE_ALTS	ALL	CAP_CER,1UF,20H,10V,XSR,0201,NEBRATA
138S0945	138S0739	BOM_TABLE_ALTS	ALL	CAP_CER,1UF,20H,10V,XSR,0201,NEBRATA
138S0739	138S0706	BOM_TABLE_ALTS	ALL	CAP_CER,450,0.22UF,20H,6.3V,20H
132S0436	132S0400	BOM_TABLE_ALTS	ALL	CAP_CER,450,0.22UF,20H,6.3V,01005
138S00049	138S0831	BOM_TABLE_ALTS	ALL	CAP_CER,450,0.22UF,20H,6.3V,0201

CRITICAL PART#	COMMENT
138S0652	CAP_XSR,4.7UF,6.3V,0.65MM,0402,TAIYO
138S0986	CAP_CER,3.3UF,50V,20H,4V,0402,TAIYO/TSE
138S0739	CAP_CER,1UF,20H,10V,XSR,0201,NEBRATA

CRITICAL PART#	COMMENT
138S0706	CAP_CER,450,0.22UF,20H,6.3V,20H
132S0400	CAP_CER,450,0.22UF,20H,6.3V,01005
138S0831	CAP_CER,450,0.22UF,20H,6.3V,0201

Global Inductors

PART NUMBER	ALTERNATE FOR PART NUMBER	BOM OPTION	REF DES	COMMENTS:
152S00653	152S00651	BOM_TABLE_ALTS	ALL	IND,1.2UH,3A,2016,0.65Z
152S00654	152S00652	BOM_TABLE_ALTS	ALL	IND,1.2UH,3A,2016,0.8Z

CRITICAL PART#	COMMENT
152S00651	IND,1.2UH,3A,2016,0.65Z
152S00652	IND,1.2UH,3A,2016,0.8Z

Multi-Vendor Criticals

CRITICAL PART#	COMMENT	CRITICAL PART#	COMMENT
138S0979	CAP_CER,XSR,1UF,20H,10V,0402,H=0.65MM	132S00008	CAP_CER,0.1UF,10H,50V,XTR,0402
138S0683	CAP_CER,XSR,1UF,10H,25V,0402	131S0804	CAP_CER,27PF,5H,COG,25V,0201
132S0663	CAP_CER,XSR,1UF,10H,25V,0402	131S0307	CAP_CER,NPO/COG,100PF,5H,16V,01005
132S0288	CAP_CER,XSR,0.1UF,10H,16V,0201	131S00053	CAP_CER,COG,220PF,5H,10V,01005
132S0275	CAP_CER,XSR,470PF,10H,10V,01005	117S0055	RES,HP,1/20W,2M OHM,5,0201,SHD
132S0245	CAP_CER,XSR,0.01UF,10H,6.3V,01005	107S0257	THERMISTOR,NTC,10K OHM,1H,B=3435,01005

Iktara

PART#	QTY	DESCRIPTION	REFERENCE DESIGNATOR(S)	CRITICAL	BOM OPTION
132S00021	8	CAP_CER,0.082UF,10H,50V,XTR,0402	C3403,C3403,C3404,C3405,C3405,C3405,C3404	NO	COMMON
132S0423	2	CAP_CER,0.022UF,50V,XTR,10H,0402	C3451,C3465	CRITICAL	COMMON
132S0423	2	CAP_CER,0.022UF,50V,XTR,10H,0402	C3455,C3466	CRITICAL	NOSTUFF

PART NUMBER	ALTERNATE FOR PART NUMBER	BOM OPTION	REF DES	COMMENTS:
685-00185	685-00184	BOM_TABLE_ALTS	SUBBOM_DS	SUBBOM_MLB_BOT,DIODES,DIODES,8893

PART#	QTY	DESCRIPTION	REFERENCE DESIGNATOR(S)	CRITICAL	BOM OPTION
685-00184	1	SUBBOM_MLB_BOT,DIODES,DIODES,8893	SUBBOM_DS	CRITICAL	COMMON
371S00133	4	DIODES,SHOTTKY DIODE,30V,2A,0603	D3400,D3401,D3402,D3403	CRITICAL	DIODES_DS
371S00132	4	ONSEMI,SHOTTKY DIODE,30V,2A,0603	D3400,D3401,D3402,D3403	CRITICAL	ONSEMI_DS

Soft-Term Cap Sub BOMs

PART#	QTY	DESCRIPTION	REFERENCE DESIGNATOR(S)	CRITICAL	BOM OPTION
685-00159	1	SUBBOM_MLB_BOT,CAP,TYPICAL,8893	SUBBOM_CAP	CRITICAL	COMMON

Touch/Luna B2B

PART#	QTY	DESCRIPTION	REFERENCE DESIGNATOR(S)	CRITICAL	BOM OPTION
138S00159	1	CAP,SOFT-TERM,2.2UF,6.3V,0201,KYOCERA	C5890	CRITICAL	SOFT_CAP
138S0831	1	CAP,TYPICAL,2.2UF,6.3V,0201,NEBRATA	C5890	CRITICAL	TYPICAL_CAP

PART NUMBER	ALTERNATE FOR PART NUMBER	BOM OPTION	REF DES	COMMENTS:
685-00160	685-00159	BOM_TABLE_ALTS	SUBBOM_CAP	SUBBOM_MLB_BOT,CAP,SOFT,8893

SYNC_MASTER=		SYNC_DATE=03/08/2017	
PAGE TITLE			
SYSTEM:BOM Tables			
	DRAWING NUMBER	051-02247	
	REVISION	7.0.0	
NOTICE OF PROPRIETARY PROPERTY: THE INFORMATION CONTAINED HEREIN IS THE PROPRIETARY PROPERTY OF APPLE INC. THE POSSESSOR AGREES TO THE FOLLOWING: I TO MAINTAIN THIS DOCUMENT IN CONFIDENCE I NOT TO REPRODUCE OR COPY IT I NOT TO REVEAL OR PUBLISH IT IN WHOLE OR PART IV ALL RIGHTS RESERVED		BRANCH	evt-1
		PAGE	2 OF 80
		SHEET	2 OF 34

8

7

6

5

4

3

2

1

D

D

C

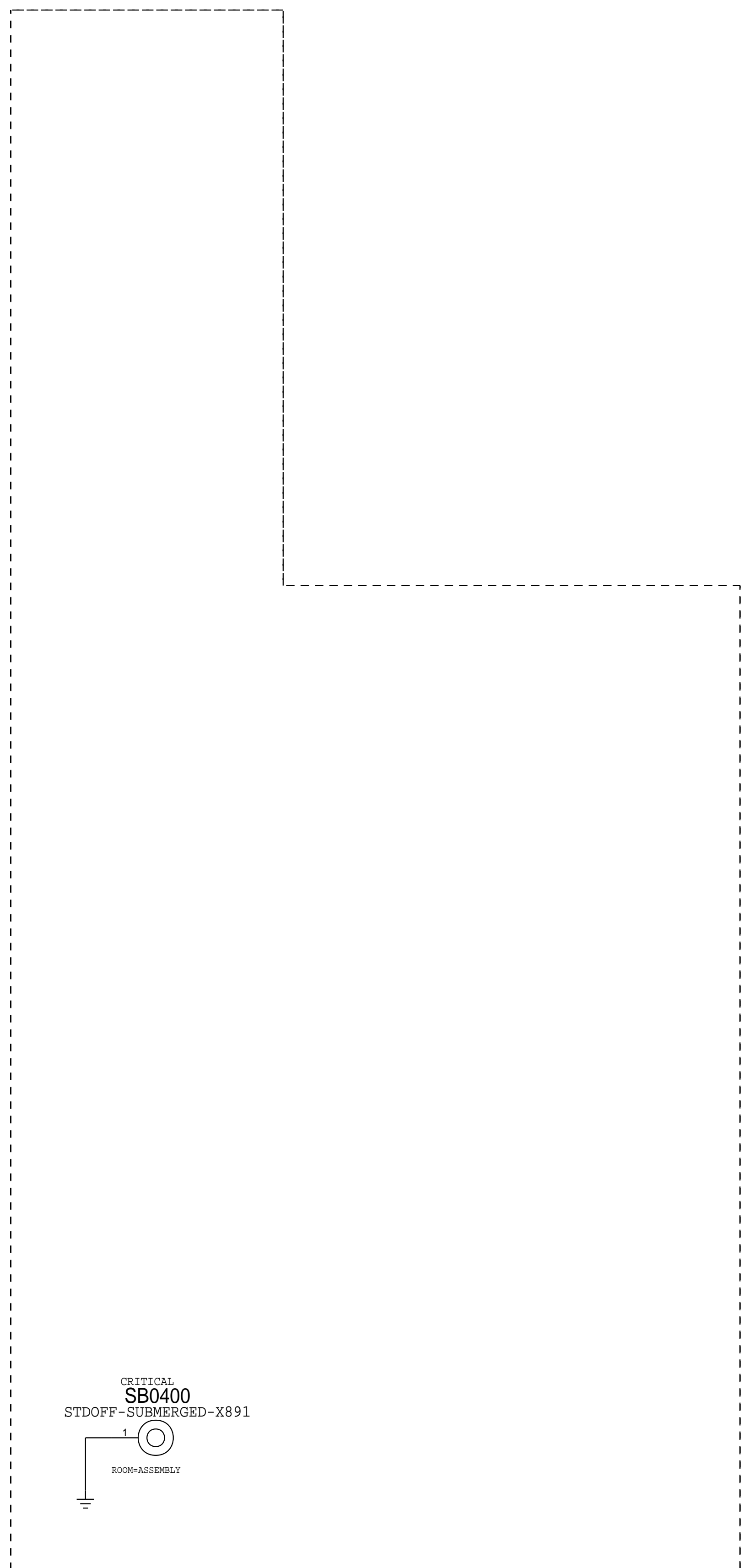
C

B

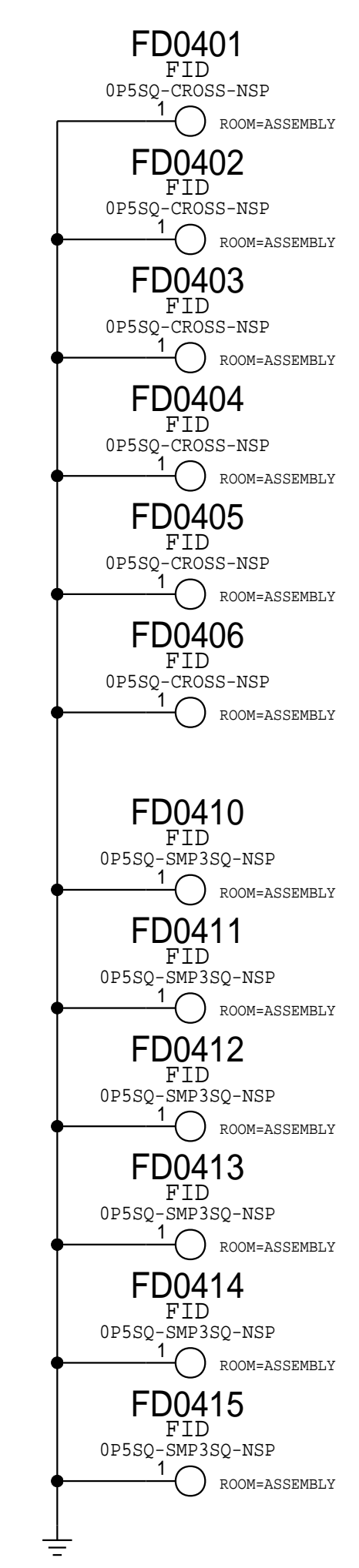
B

A

A



FIDUCIALS



PAGE TITLE			SYSTEM: Mechanical Components
	DRAWING NUMBER	051-02247	SIZE
	REVISION	7.0.0	D
NOTICE OF PROPRIETARY PROPERTY:		BRANCH	evt-1
THE INFORMATION CONTAINED HEREIN IS THE PROPRIETARY PROPERTY OF APPLE INC. THE POSSESSOR AGREES TO THE FOLLOWING: I TO MAINTAIN THIS DOCUMENT IN CONFIDENCE II NOT TO REPRODUCE OR COPY IT III NOT TO REVEAL OR PUBLISH IT IN WHOLE OR PART IV ALL RIGHTS RESERVED		PAGE	4 OF 80
		SHEET	3 OF 34

8

7

6

5

4

3

2

1

8

7

6

5

4

3

2

1

D

D

C

C

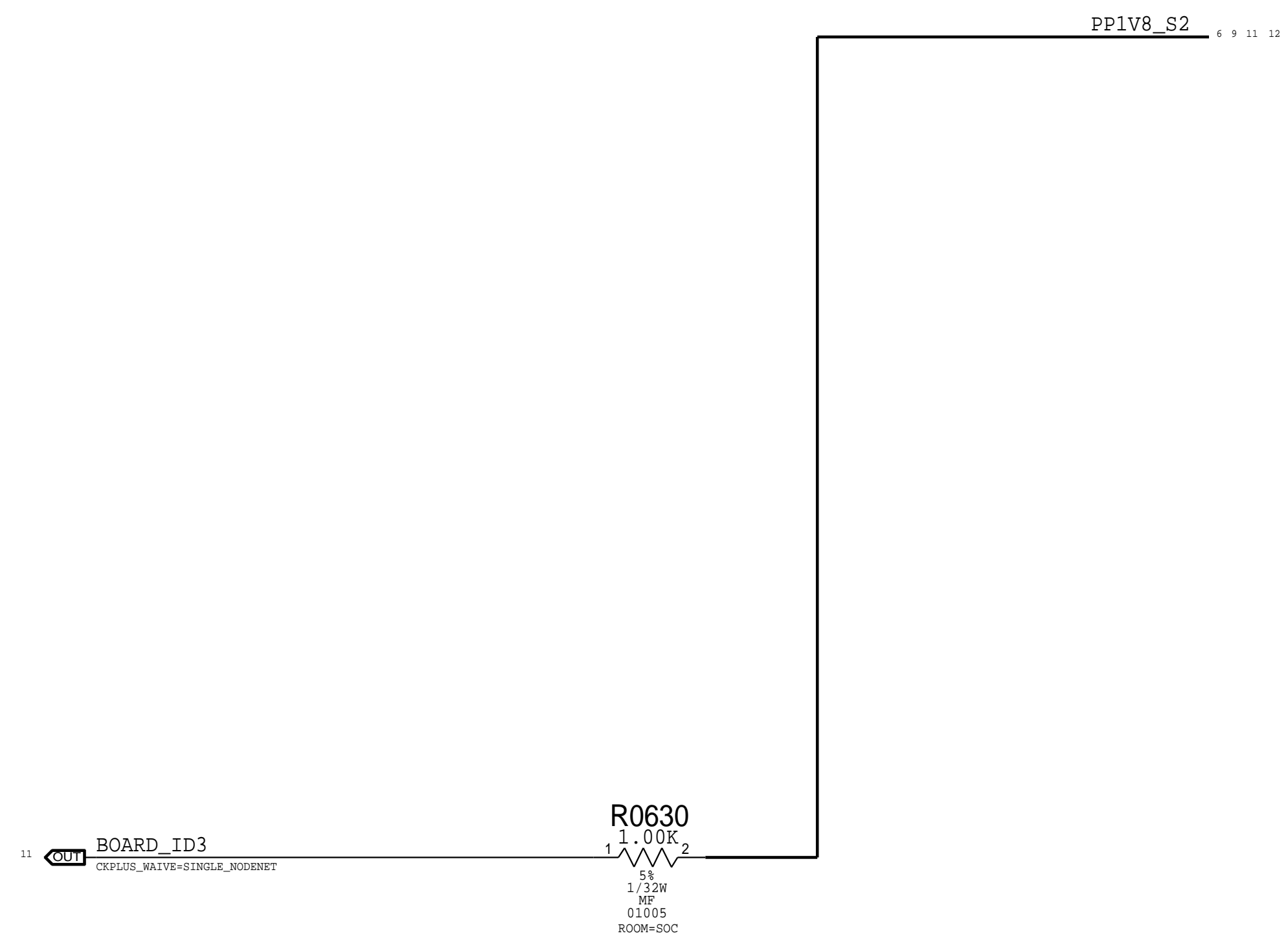
B

B

A

A

BOOTSTRAPPING:BOARD ID[3]



D221 Selected (BOARD_ID3) ->

PAGE TITLE			BOOTSTRAPPING		
DRAWING NUMBER		051-02247	SIZE		D
REVISION		7.0.0	BRANCH		evt-1
PAGE		6 OF 80	SHEET		4 OF 34
NOTICE OF PROPRIETARY PROPERTY: THE INFORMATION CONTAINED HEREIN IS THE PROPRIETARY PROPERTY OF APPLE INC. THE POSSESSOR AGREES TO THE FOLLOWING: I TO MAINTAIN THIS DOCUMENT IN CONFIDENCE II NOT TO REPRODUCE OR COPY IT III NOT TO REVEAL OR PUBLISH IT IN WHOLE OR PART IV ALL RIGHTS RESERVED					

8

7

6

5

4

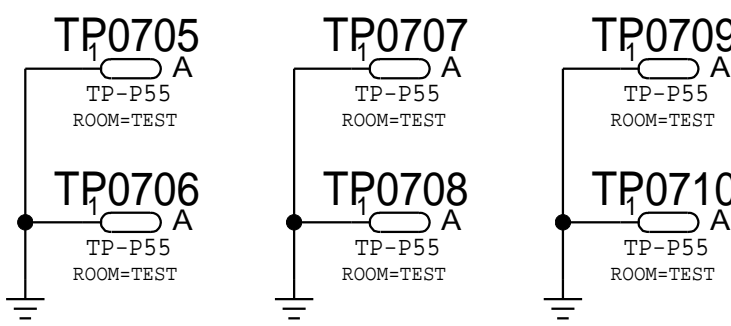
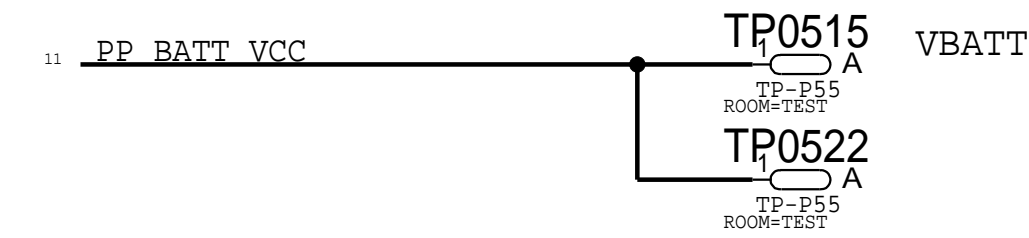
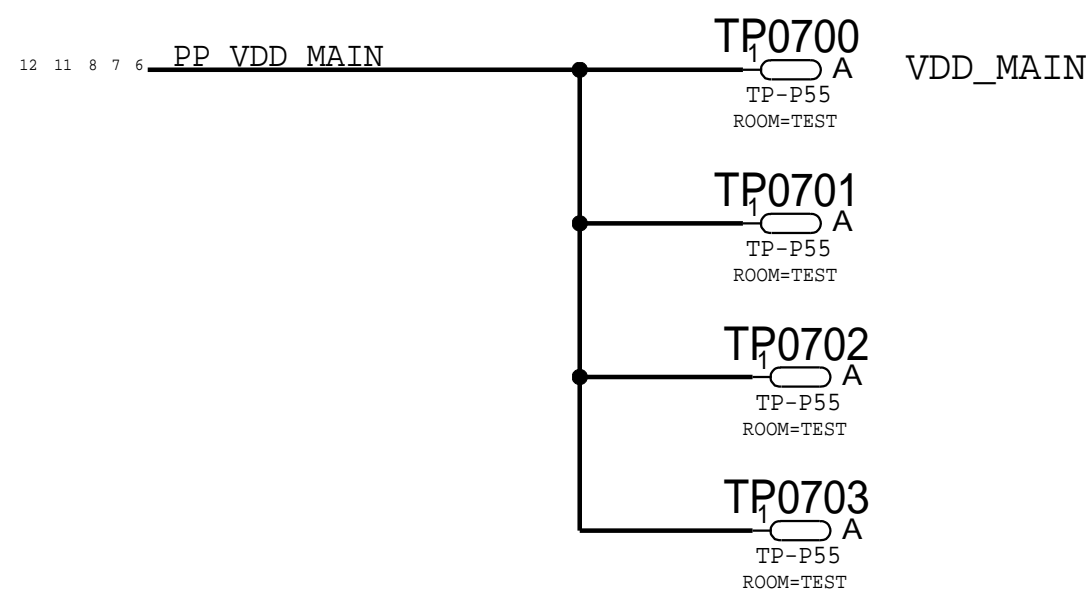
3

2

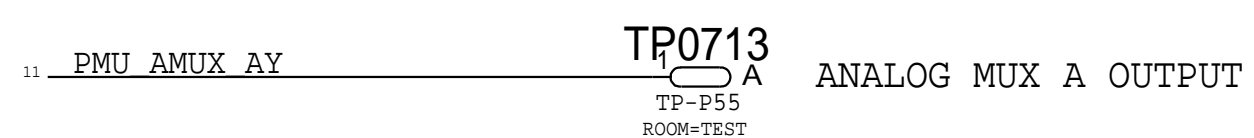
1

Test Points

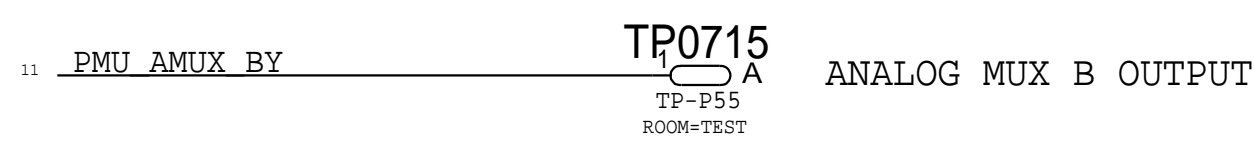
Probe Points



AMUX



ANALOG MUX A OUTPUT



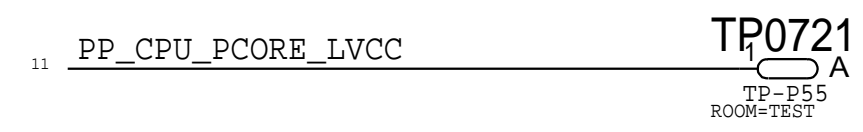
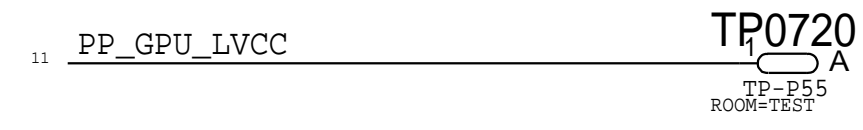
ANALOG MUX B OUTPUT

DFU

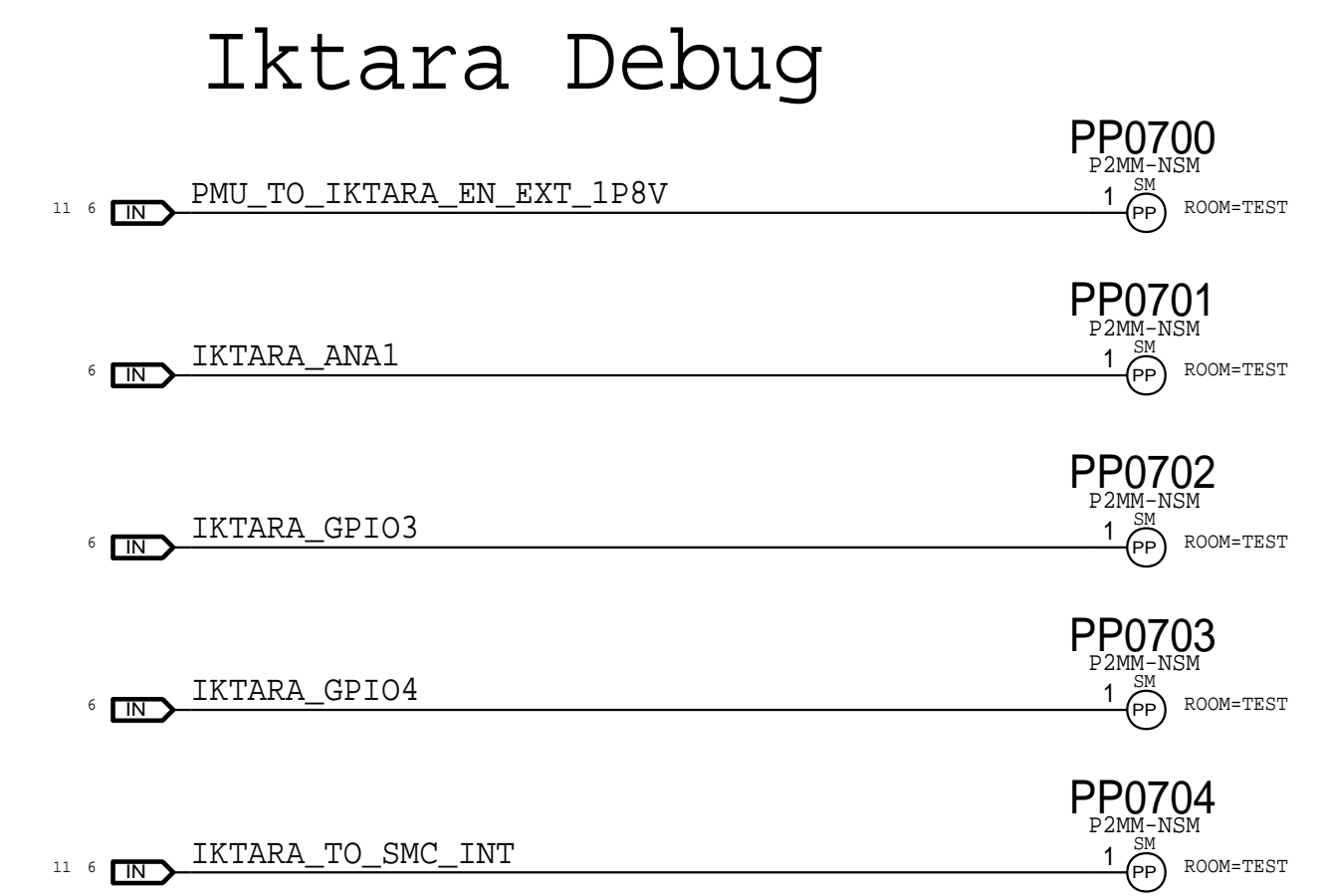
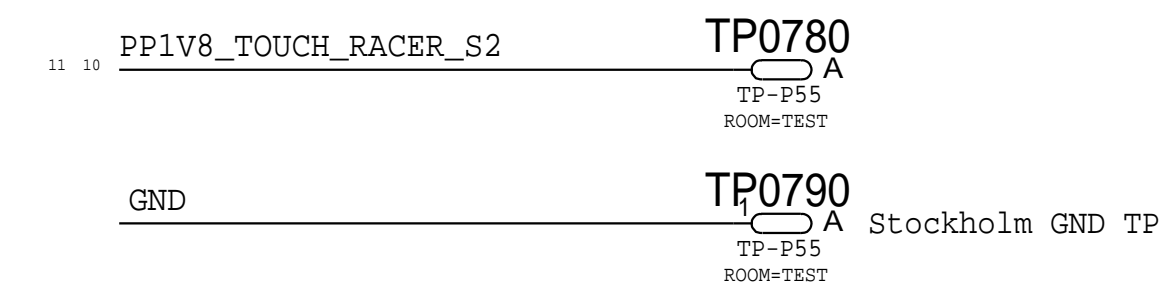
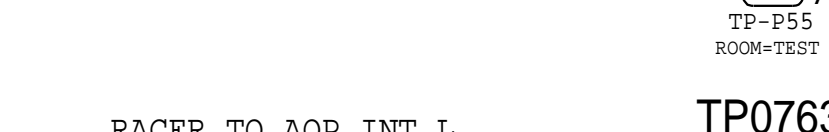
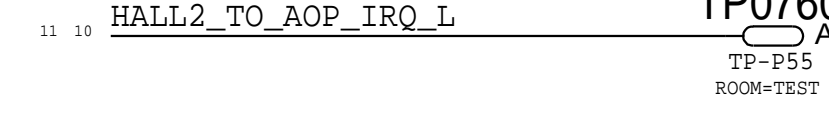
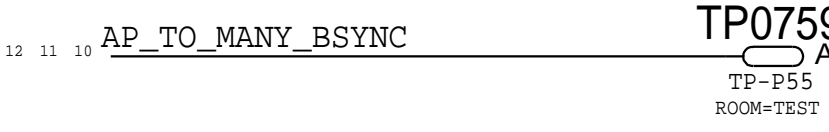
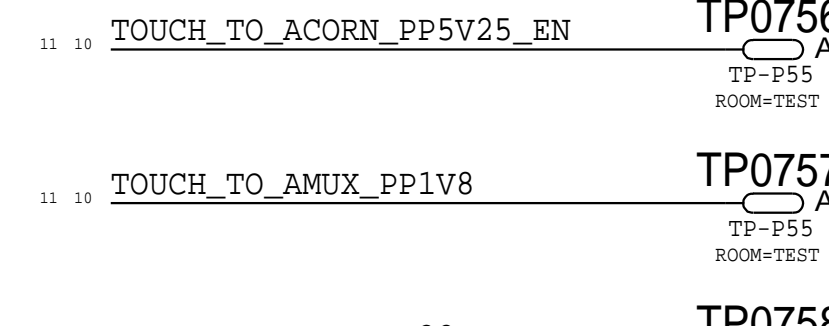
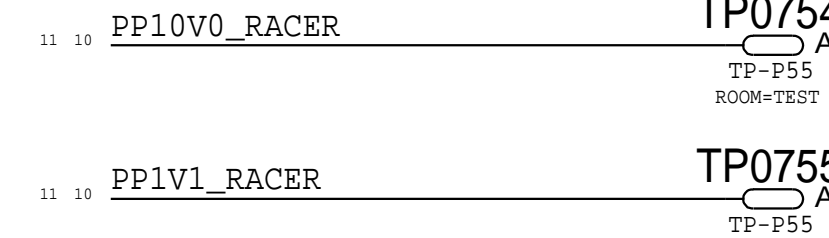
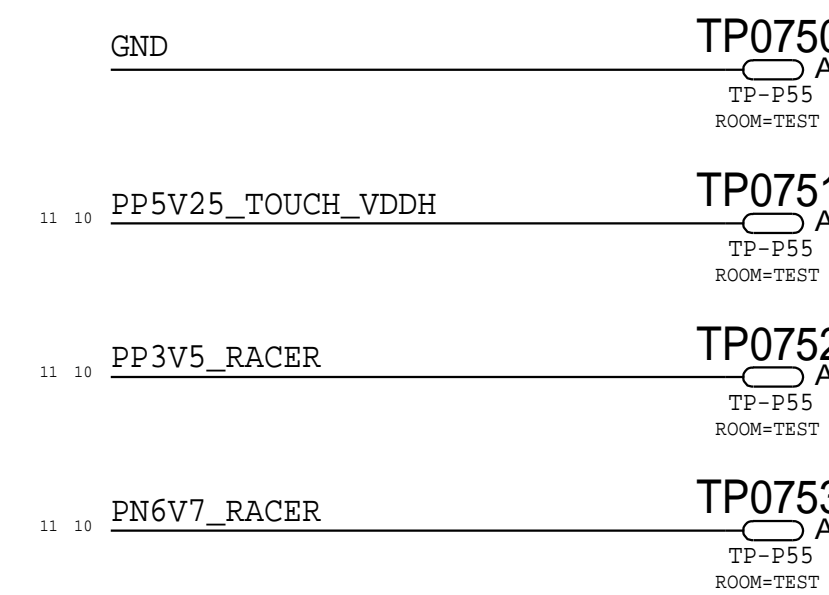
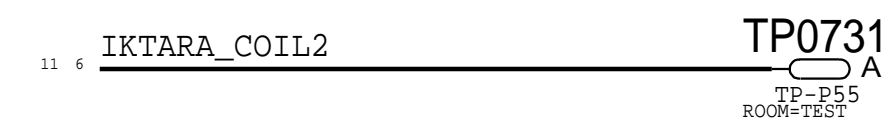
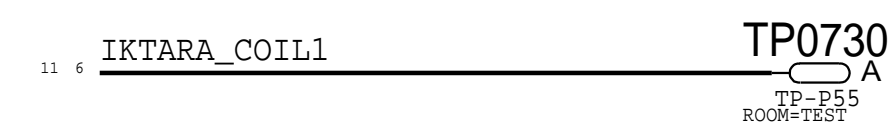


FORCE DFU

LVCC

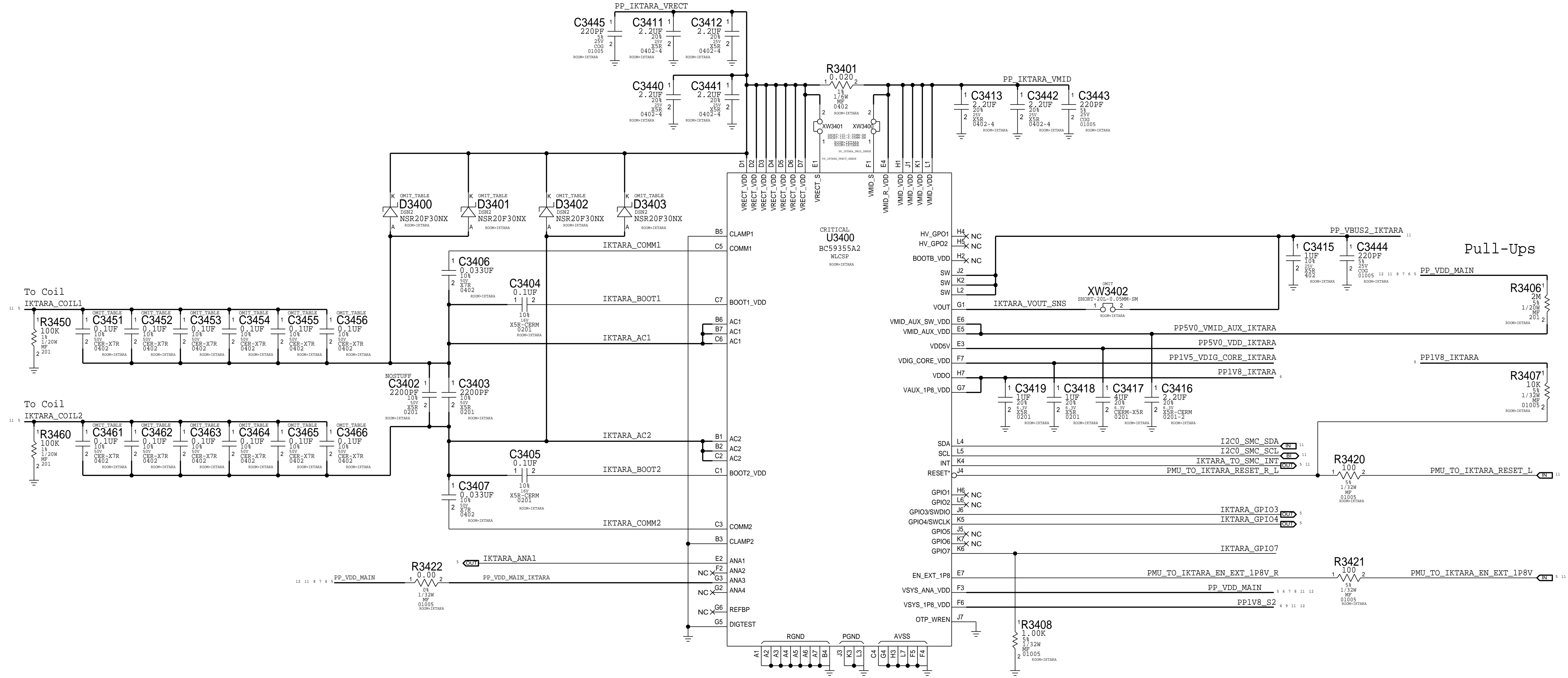


COIL



PAGE TITLE		SYSTEM: Testpoints (Bottom)	
Apple Inc.	DRAWING NUMBER	051-02247	SIZE
	REVISION	7.0.0	D
NOTICE OF PROPRIETARY PROPERTY: THE INFORMATION CONTAINED HEREIN IS THE PROPRIETARY PROPERTY OF APPLE INC. THE POSSESSOR AGREES TO THE FOLLOWING: I TO MAINTAIN THIS DOCUMENT IN CONFIDENCE II NOT TO REPRODUCE OR COPY IT III NOT TO REVEAL OR PUBLISH IT IN WHOLE OR PART IV ALL RIGHTS RESERVED		BRANCH	evt-1
		PAGE	7 OF 80
		SHEET	5 OF 34

Iktara

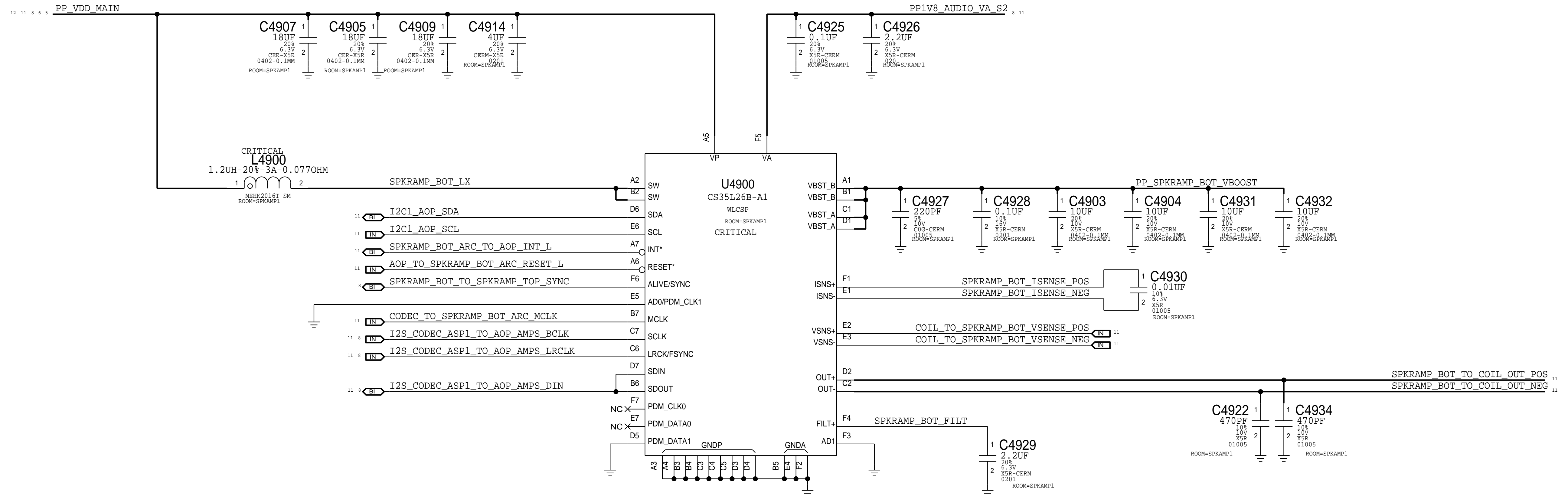


PAGE TITLE		
SYSTEM POWER: Iktara		
	DRAWING NUMBER	051-02247
	REVISION	7.0.0
NOTICE OF PROPRIETARY PROPERTY: THE INFORMATION CONTAINED HEREIN IS THE PROPRIETARY PROPERTY OF APPLE INC. THE POSSESSOR AGREES TO THE FOLLOWING: I TO MAINTAIN THIS DOCUMENT IN CONFIDENCE II NOT TO REPRODUCE OR COPY IT III NOT TO REVEAL OR PUBLISH IT IN WHOLE OR PART IV ALL RIGHTS RESERVED	BRANCH	evt-1
	PAGE	34 OF 80
	SHEET	6 OF 34

South Speaker Amplifier

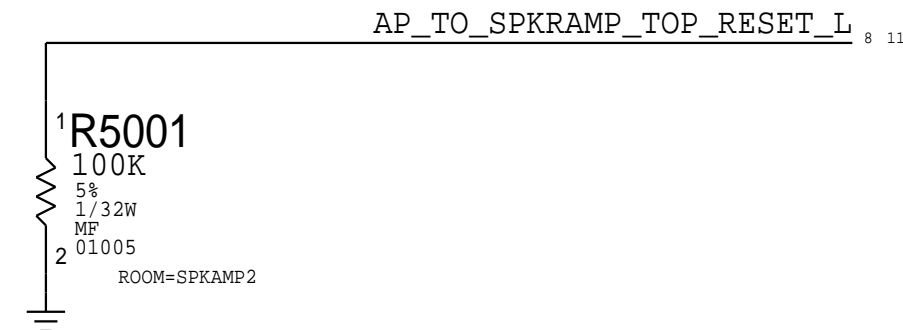
APN: 338S00295

I2C ADDRESS: 1000 000x
0x80



PAGE TITLE		
AUDIO: Speaker Amp Bottom		
	DRAWING NUMBER	051-02247
	REVISION	7.0.0
NOTICE OF PROPRIETARY PROPERTY:		BRANCH
THE INFORMATION CONTAINED HEREIN IS THE PROPRIETARY PROPERTY OF APPLE INC. THE POSSESSOR AGREES TO THE FOLLOWING: I TO MAINTAIN THIS DOCUMENT IN CONFIDENCE II NOT TO REPRODUCE OR COPY IT III NOT TO REVEAL OR PUBLISH IT IN WHOLE OR PART IV ALL RIGHTS RESERVED		evt-1 PAGE 49 OF 80 SHEET 7 OF 34

Pull Downs

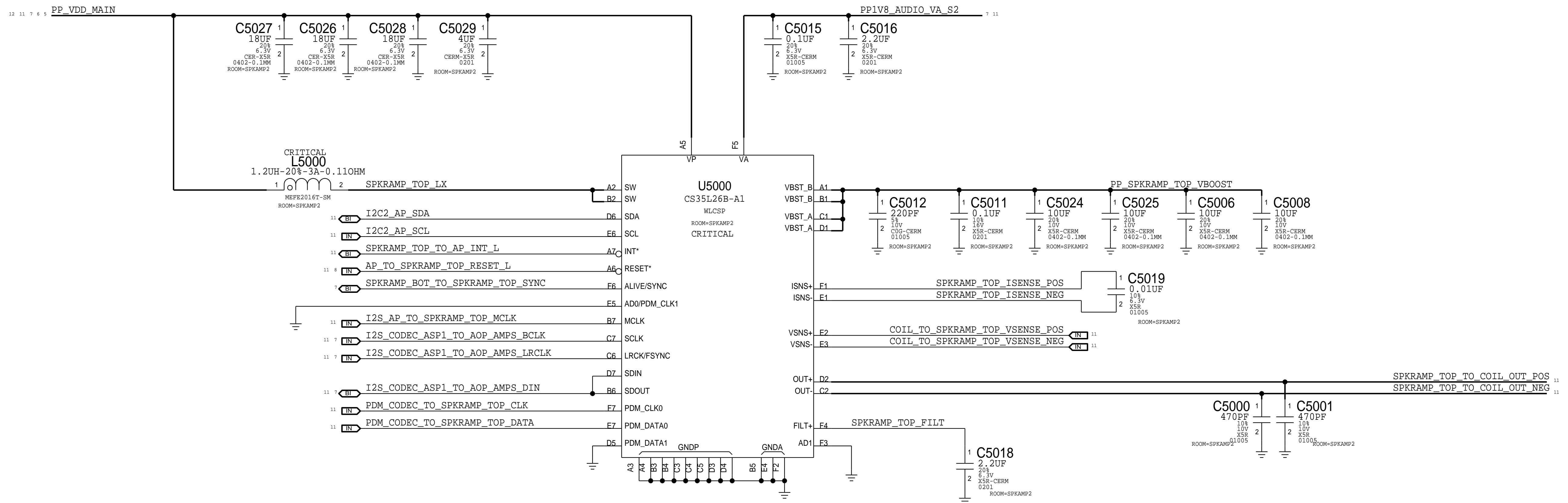


North Speaker Amplifier

APN: 338S00295

I2C ADDRESS: 1000 000x

0x80



PAGE TITLE		
AUDIO: Speaker Amp Top		
	DRAWING NUMBER	051-02247
	REVISION	7.0.0
NOTICE OF PROPRIETARY PROPERTY:		BRANCH
THE INFORMATION CONTAINED HEREIN IS THE PROPRIETARY PROPERTY OF APPLE INC. THE POSSESSOR AGREES TO THE FOLLOWING: I TO MAINTAIN THIS DOCUMENT IN CONFIDENCE II NOT TO REPRODUCE OR COPY IT III NOT TO REVEAL OR PUBLISH IT IN WHOLE OR PART IV ALL RIGHTS RESERVED		evt-1 PAGE 50 OF 80 SHEET 8 OF 34

8

7

6

5

4

3

2

1

D

D

C

C

B

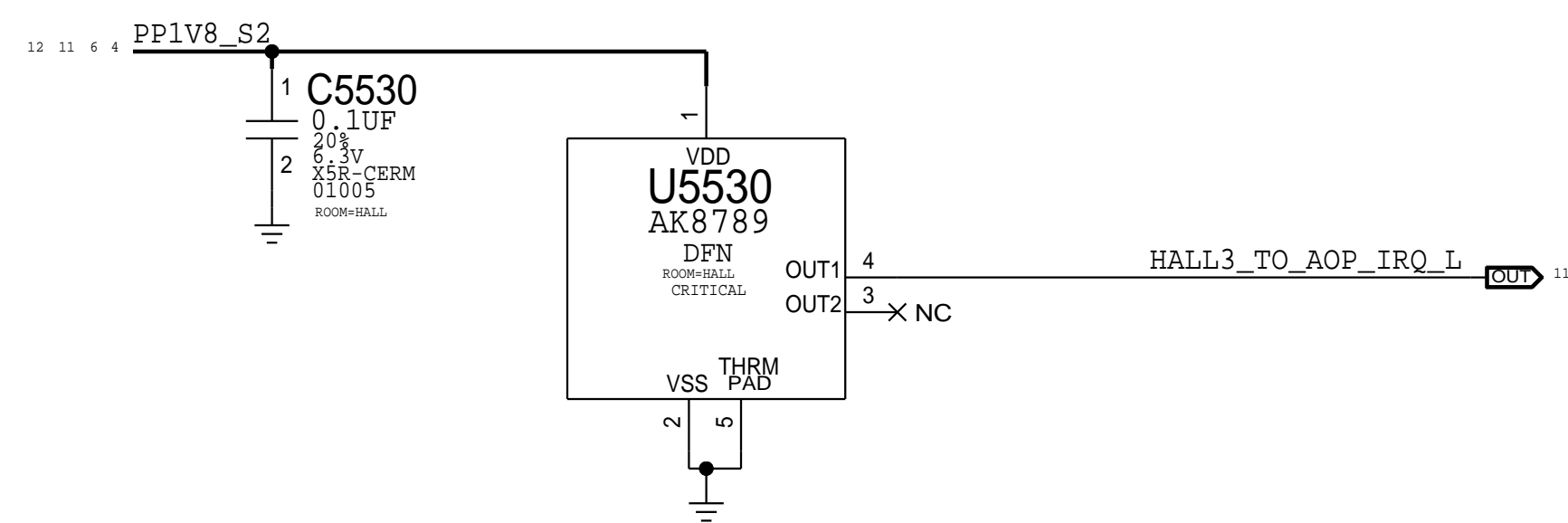
B

A

A

Hall Effect

APN: 353S3697



PAGE TITLE			HALL EFFECT		
	DRAWING NUMBER	051-02247	SIZE	D	
	REVISION	7.0.0			
NOTICE OF PROPRIETARY PROPERTY: THE INFORMATION CONTAINED HEREIN IS THE PROPRIETARY PROPERTY OF APPLE INC. THE POSSESSOR AGREES TO THE FOLLOWING: I TO MAINTAIN THIS DOCUMENT IN CONFIDENCE II NOT TO REPRODUCE OR COPY IT III NOT TO REVEAL OR PUBLISH IT IN WHOLE OR PART IV ALL RIGHTS RESERVED	BRANCH	evt-1			
	PAGE	55 OF 80			
	SHEET	9 OF 34			

8

7

6

5

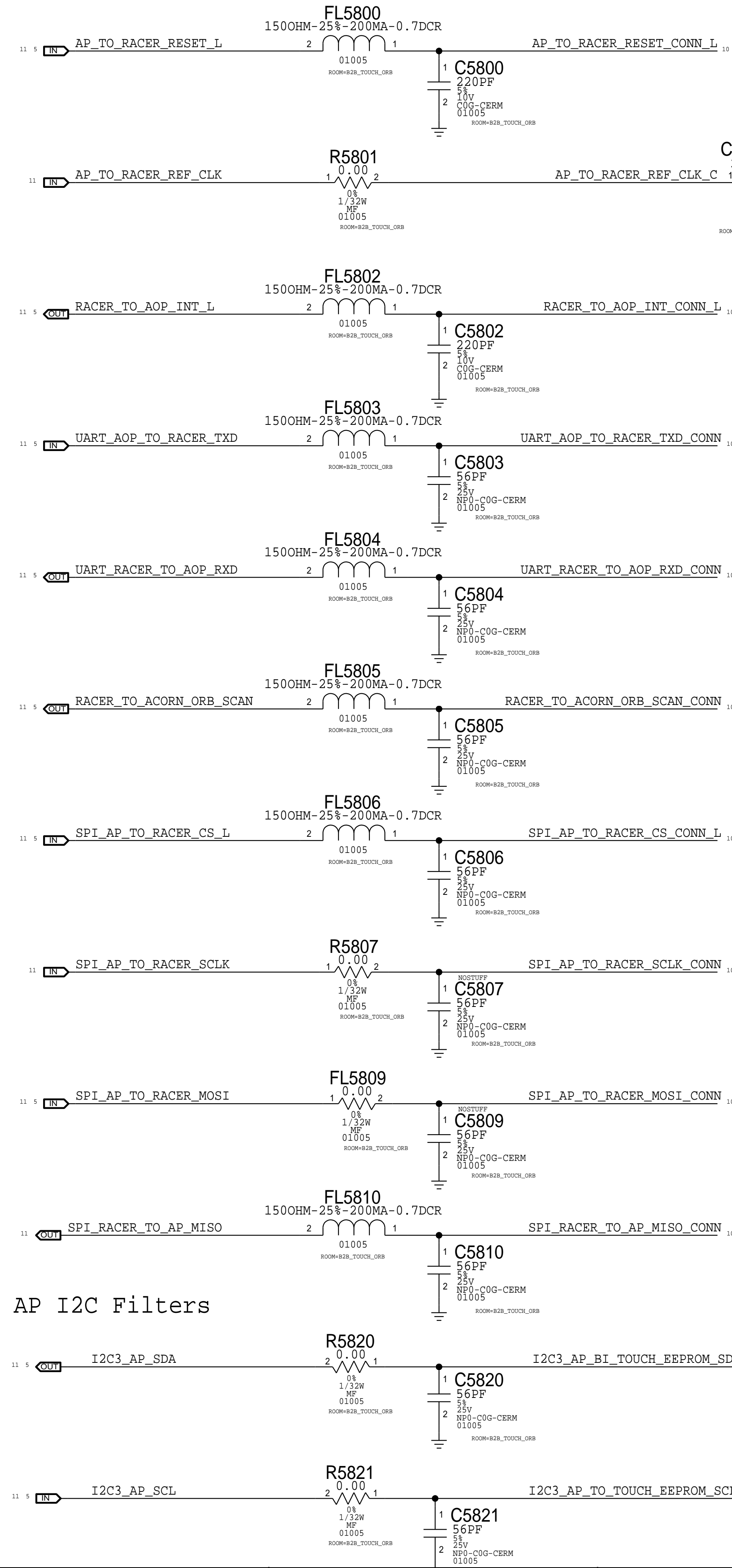
4

3

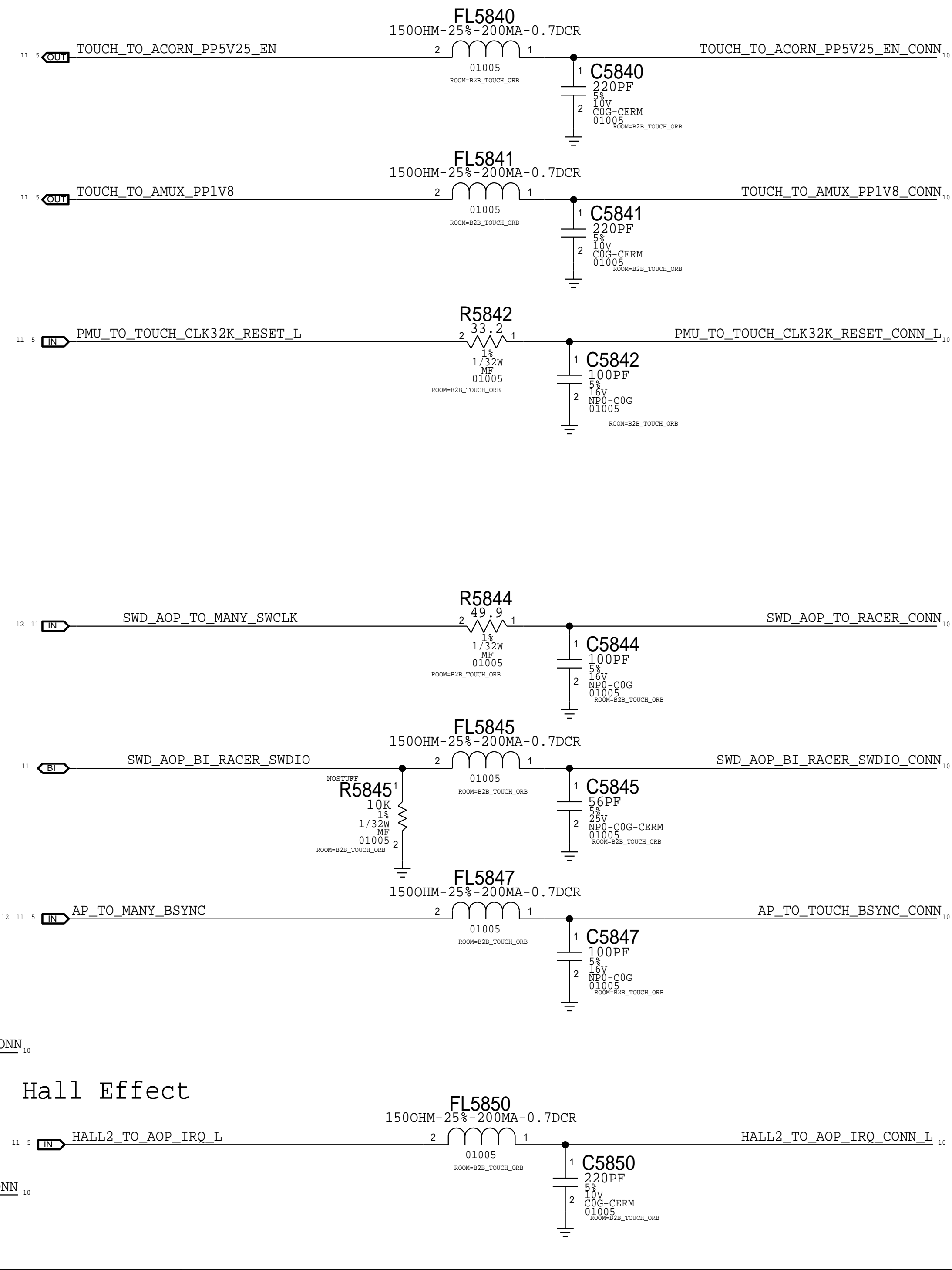
2

1

Racer I/O



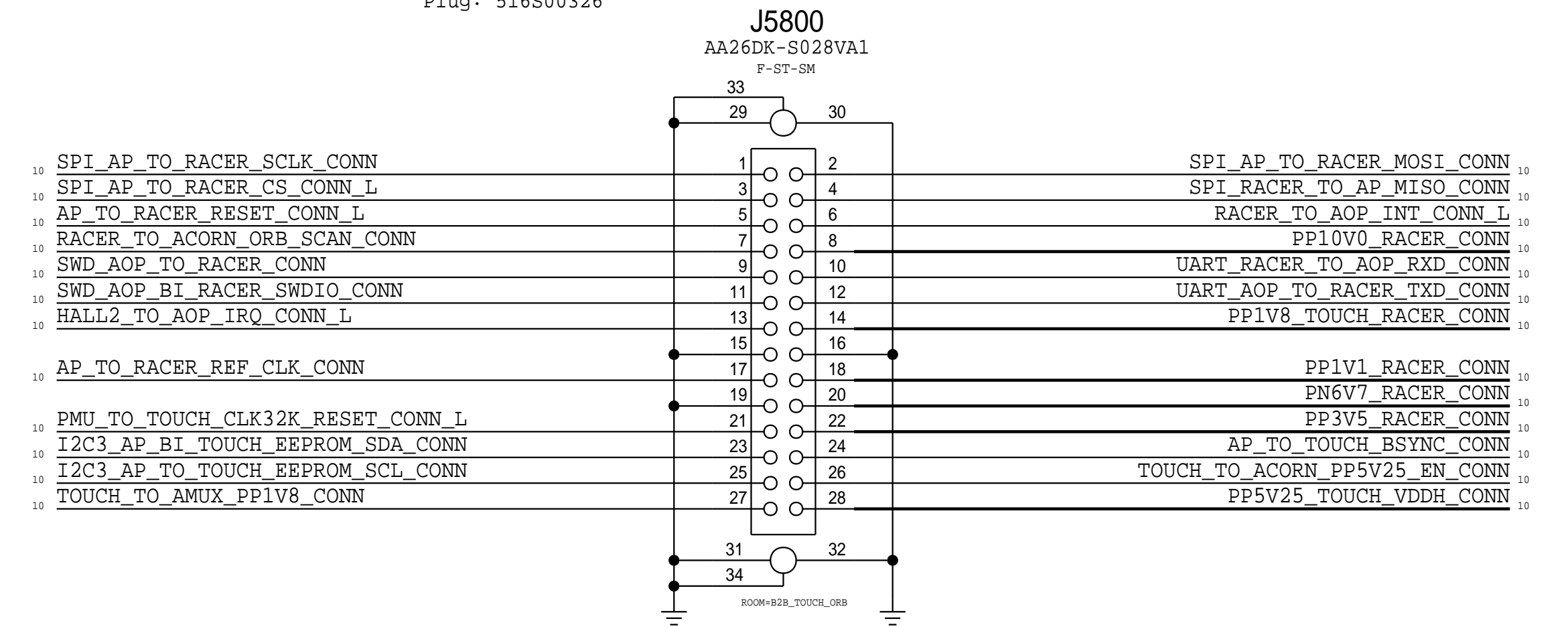
Touch and Misc I/O



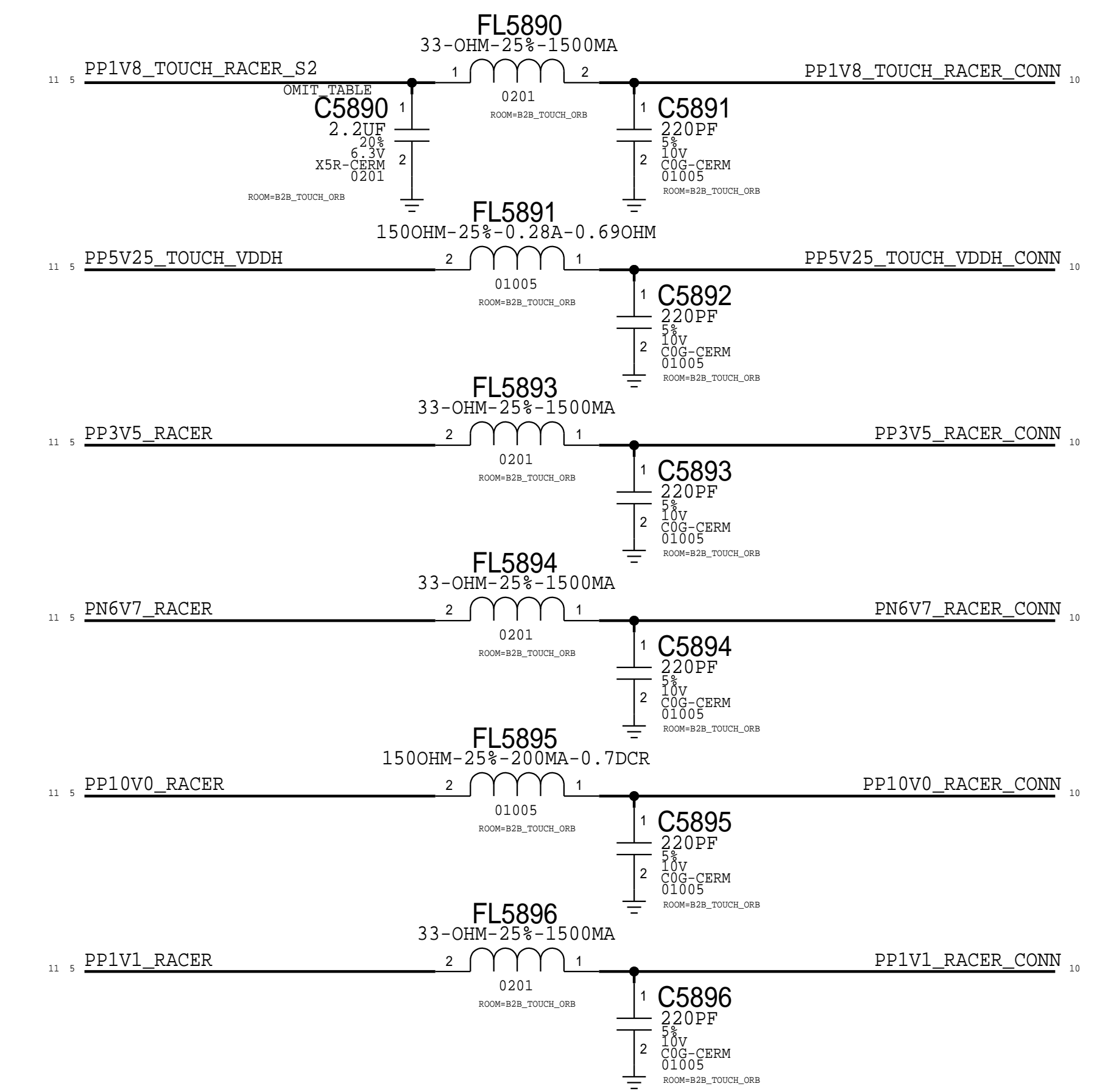
Hall Effect

Luna + Touch Connector

Rcpt: 516S00325 <-- This one on MLB
Plug: 516S00326



Touch And Racer Power



AP I2C Filters

PAGE TITLE		CG: B2B Luna & Touch	
		DRAWING NUMBER	051-02247
		REVISION	7.0.0
NOTICE OF PROPRIETARY PROPERTY: THE INFORMATION CONTAINED HEREIN IS THE PROPRIETARY PROPERTY OF APPLE INC. THE POSSESSOR AGREES TO THE FOLLOWING: I TO MAINTAIN THIS DOCUMENT IN CONFIDENCE II NOT TO REPRODUCE OR COPY IT III NOT TO REVEAL OR PUBLISH IT IN WHOLE OR PART IV ALL RIGHTS RESERVED		BRANCH	evt-1
		PAGE	58 OF 80
		SHEET	10 OF 34

D

C

B

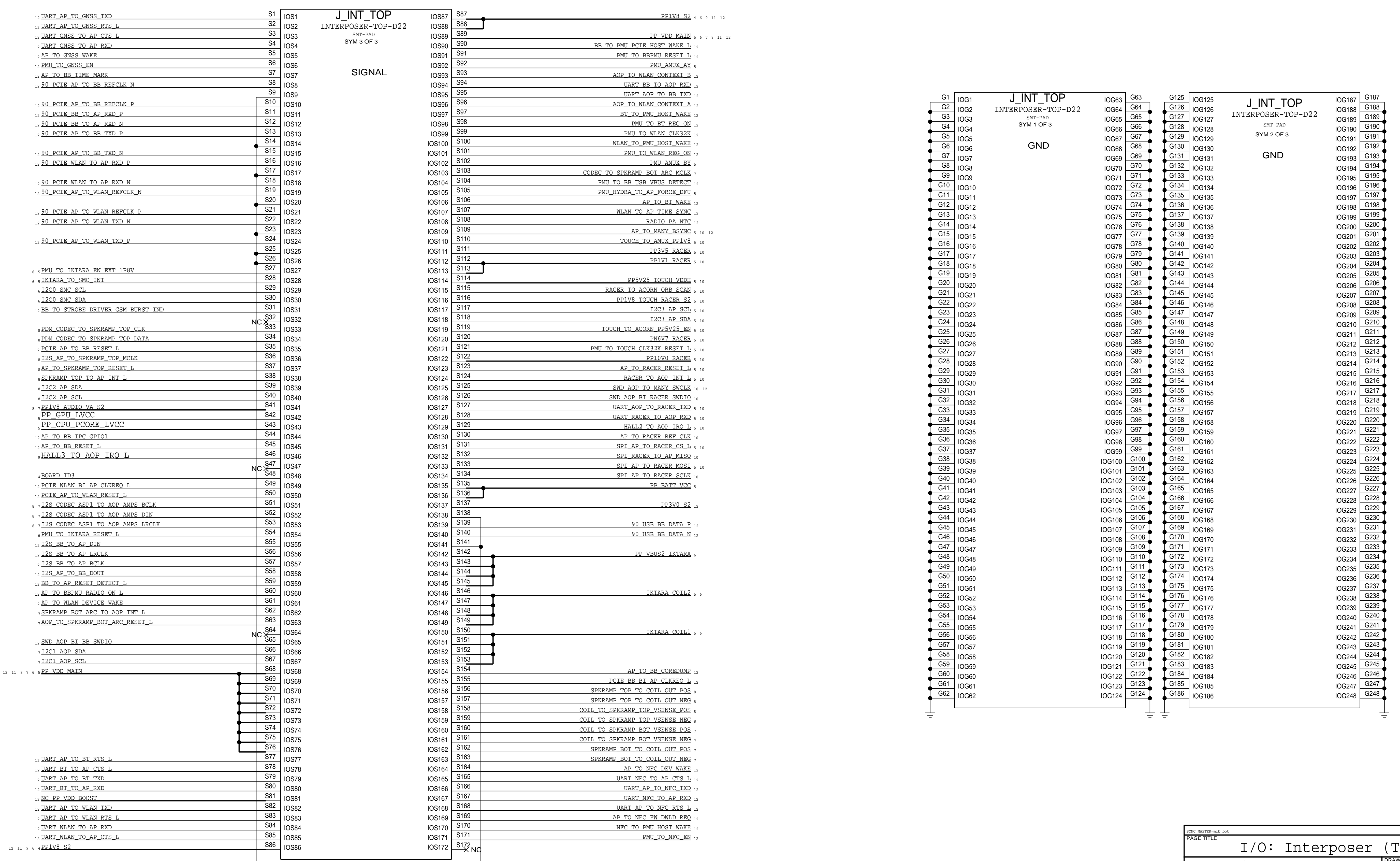
A

D

C

B

A



I/O: Interposer (Top)		DRAWING NUMBER	051-02247	SIZE	D
Apple Inc.		REVISION	7.0.0		
NOTICE OF PROPRIETARY PROPERTY:		BRANCH	evt-1		
THE INFORMATION CONTAINED HEREIN IS THE PROPRIETARY PROPERTY OF APPLE INC. THE POSSESSOR AGREES TO THE FOLLOWING:		PAGE	66 OF 80		
I TO MAINTAIN THIS DOCUMENT IN CONFIDENCE I NOT TO REPRODUCE OR COPY IT III NOT TO REVEAL OR PUBLISH IT IN WHOLE OR PART IV ALL RIGHTS RESERVED		SHEET	11 OF 34		

D

C

B

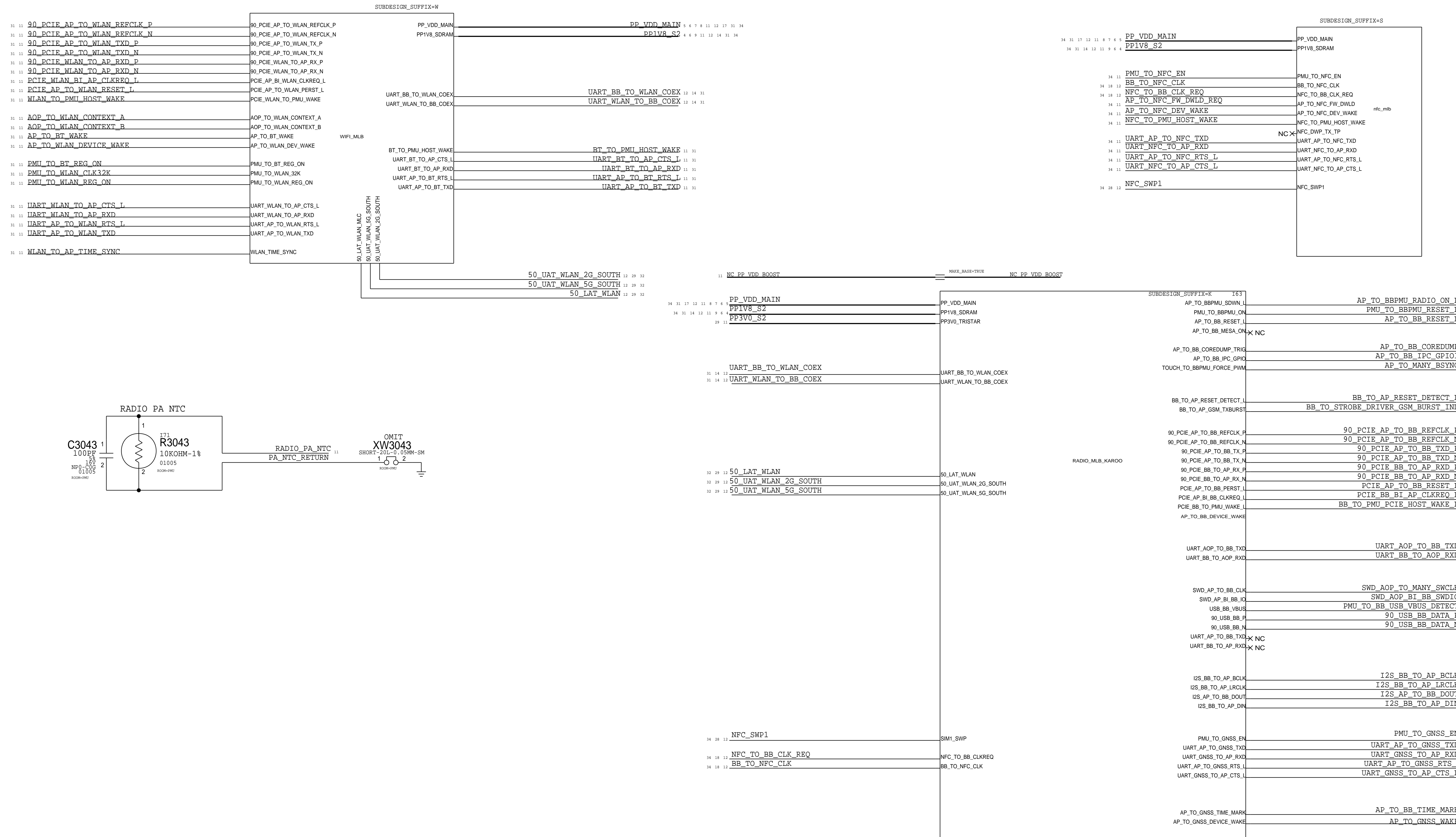
A

D

C

B

A



PAGE TITLE			RADIOS		
Apple Inc.		DRAWING NUMBER	051-02247	SIZE	D
NOTICE OF PROPRIETARY PROPERTY:		REVISION	7.0.0		
THE INFORMATION CONTAINED HEREIN IS THE PROPRIETARY PROPERTY OF APPLE INC. THE POSSESSOR AGREES TO THE FOLLOWING:		BRANCH	evt-1		
I TO MAINTAIN THIS DOCUMENT IN CONFIDENCE		PAGE	80 OF 80		
II NOT TO REPRODUCE OR COPY IT		SHEET	12 OF 34		
III NOT TO REVEAL OR PUBLISH IT IN WHOLE OR PART					
IV ALL RIGHTS RESERVED					

1. ALL RESISTANCE VALUES ARE IN OHMS, 0.1 WATT +/- 5%.
 2. ALL CAPACITANCE VALUES ARE IN MICROFARADS.
 3. ALL CRYSTALS & OSCILLATOR VALUES ARE IN HERTZ.

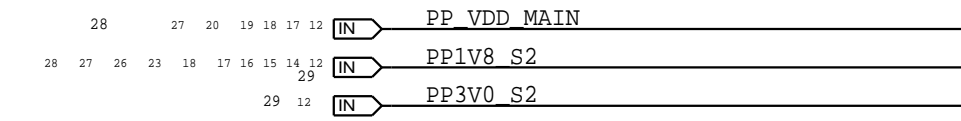
REV	ECN	DESCRIPTION OF REVISION	CK APPD	DATE
7	0008448938	ENGINEERING RELEASED		2017-04-11

ICE17.2 RADIO_MLB

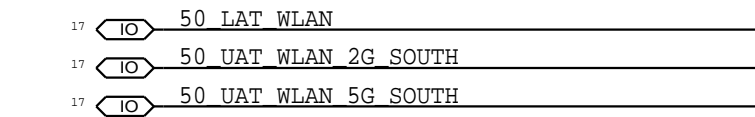
Tue Apr 11 16:10:08 2017

RADIO_MLB PORTS

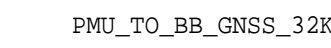
POWER



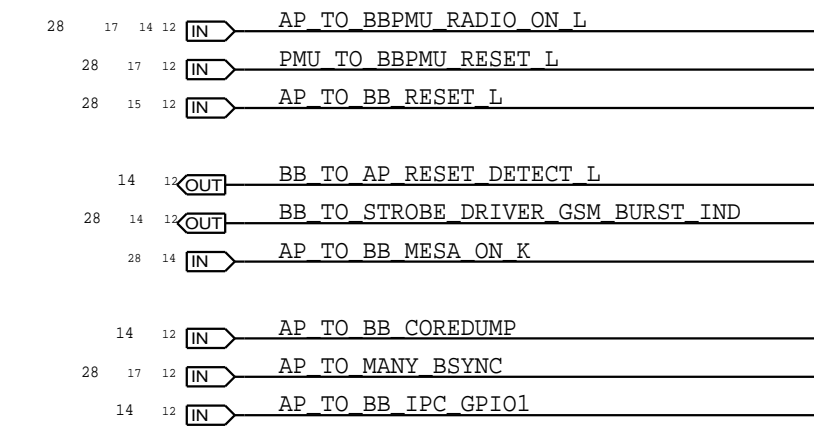
ANTENNA FEEDS



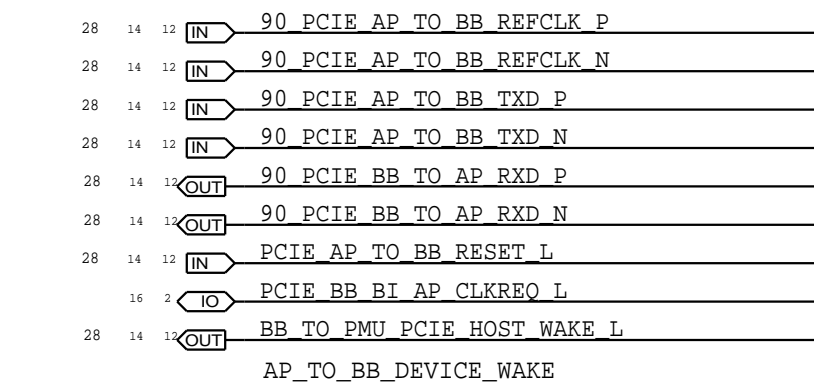
CLOCKS



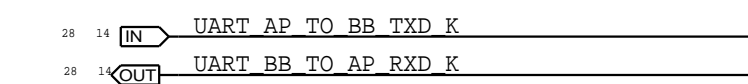
BB CONTROL



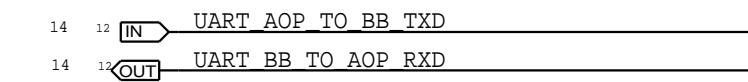
PCIE



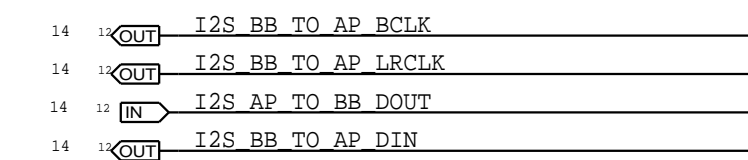
UART



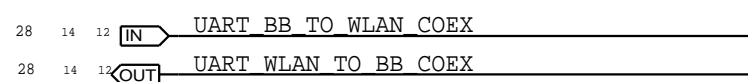
AOP



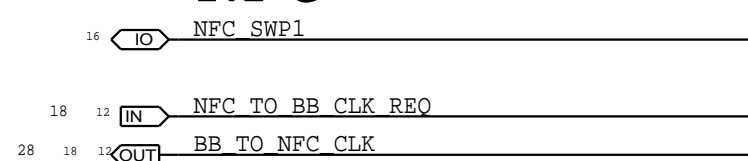
AUDIO



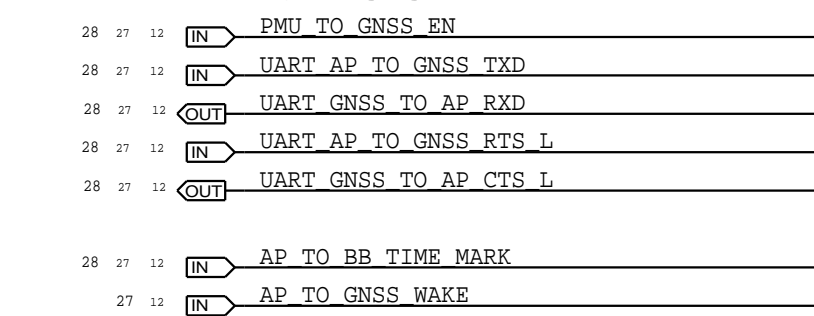
WLAN



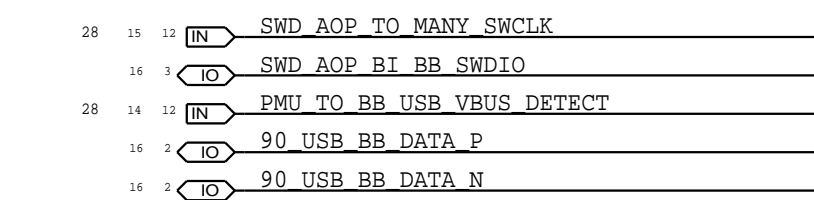
NFC



GNSS



DEBUG



PDF PAGE	CSA PAGE	CONTENTS
2	2	BASEBAND
3	3	BASEBAND MEMORY/DEBUG
4	4	BASEBAND POWER
5	5	BASEBAND PMIC
6	6	TRANSCEIVERS
7	7	ET MODULATOR
8	8	TDD TRANSMIT
9	9	FDD TRANSMIT
10	10	PRIMARY RECEIVE
11	11	LOWER ANTENNA & COUPLERS
12	12	DIVERSITY RECEIVE ASM'S
13	13	DIVERSITY RECEIVE LNA'S
14	14	UPPER ANTENNA FEEDS
15	15	GNSS
16	16	TEST POINTS & SIM

ALTERNATES

PART NUMBER	ALTERNATE FOR PART NUMBER	REFERENCE DESIGNATOR(S)	DESCRIPTION	BOM OPTION
197S00040	197S00044	VTCXO_K	AVX VC-TCXO	?
197S00042	197S00044	VTCXO_K	NDK VC-TCXO	?
335S00013	335S0894	EPROM_K	ON SEMI EPROM	?
138S0719	138S1103	C522_K	MURATA	?
138S00133	138S00128	C509_K, C523_K, C605_K, C624_K, C626_K, C1114_K, C1116_K	MURATA	?
138S00049	138S00032	C402_K, C433_K, C437_K, C510_K, C720_K	MURATA	?
138S0831	138S00032	C402_K, C433_K, C437_K, C510_K, C720_K	MURATA	?
138S00086	138S0884	C500_K, C501_K, C502_K, C514_K, C515_K	MURATA	?
339S00363	339S00353	GNSS_K	PILSNER STATS	?

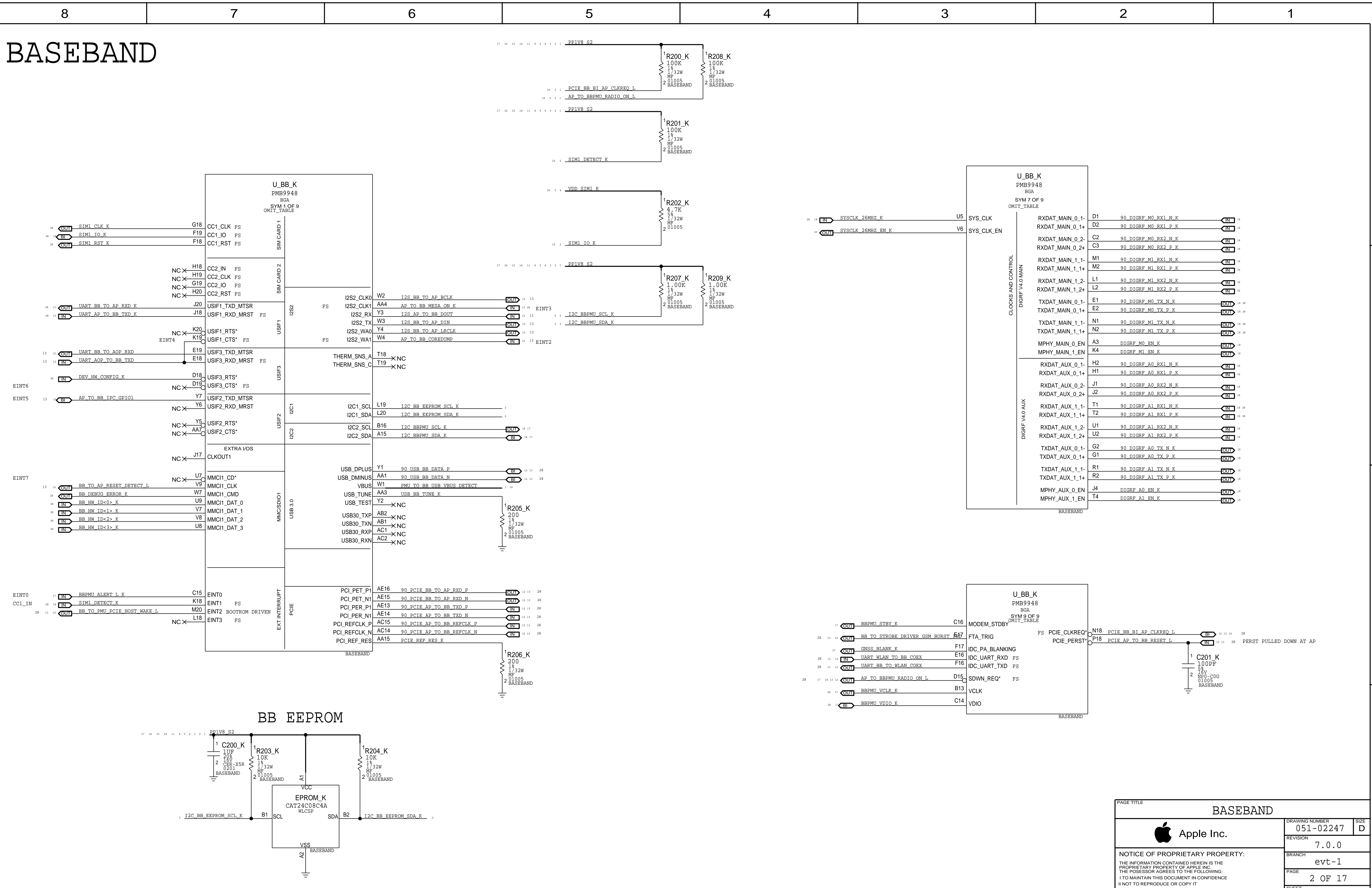
BOM OPTIONS

PART#	QTY	DESCRIPTION	REFERENCE DESIGNATOR(S)	CRITICAL	BOM OPTION
998-05780	1	BASEBAND, UNFUSED	U_BB_K	CRITICAL	BB_UNFUSED
998-05781	1	BASEBAND, LOCAL FUSED	U_BB_K	CRITICAL	BB_LOCAL_FUSED
998-05782	1	BASEBAND, DEV FUSED	U_BB_K	CRITICAL	BB_DEV_FUSED
337800244	1	BASEBAND, PRODUCTION FUSED	U_BB_K	CRITICAL	BB_PROD_FUSED
138S00159	7	CAP_S0FT_TERRM, 2.2uF, 6.3V, 0201, KYOCERA	PHL_K,PH1_K,PH2_K,PH3_K,PH4_K,PH5_K,PH6_K,PH7_K,PH8_K		SOFT_CAP
138S0831	7	CAP_TYPICAL, 2.2uF, 6.3V, 0201, MURATA	PHL_K,PH1_K,PH2_K,PH3_K,PH4_K,PH5_K,PH6_K,PH7_K,PH8_K		TYPICAL_CAP

RADIO_MLB

DRAWING TITLE		DRAWING NUMBER	SIZE
SCH, MLB, BOT, X893		051-02247	D
		REVISION	7.0.0
		BRANCH	evt-1
NOTICE OF PROPRIETARY PROPERTY: THE INFORMATION CONTAINED HEREIN IS THE PROPRIETARY PROPERTY OF APPLE INC. THE POSSESSOR AGREES TO THE FOLLOWING: I TO MAINTAIN THIS DOCUMENT IN CONFIDENCE II NOT TO REPRODUCE OR COPY IT III NOT TO REVEAL OR PUBLISH IT IN WHOLE OR PART IV ALL RIGHTS RESERVED		PAGE	1 OF 17
		SHEET	13 OF 34

BASEBAND



CONFIDENTIAL AND PROPRIETARY APPLE SYSTEM DESIGN. FOR REFERENCE PURPOSE ONLY - NOT A CHANGE REQUEST

PAGE TITLE		
BASEBAND		
	DRAWING NUMBER	051-02247
	REVISION	7.0.0
NOTICE OF PROPRIETARY PROPERTY: THE INFORMATION CONTAINED HEREIN IS THE PROPRIETARY PROPERTY OF APPLE INC. THE POSSESSOR AGREES TO THE FOLLOWING: I TO MAINTAIN THIS DOCUMENT IN CONFIDENCE I NOT TO REPRODUCE OR COPY IT I NOT TO REVEAL OR PUBLISH IT IN WHOLE OR PART I ALL RIGHTS RESERVED	BRANCH	evt-1
	PAGE	2 OF 17
	SHEET	14 OF 34

BASEBAND MEMORY/DEBUG

8 7 6 5 4 3 2 1

D

C

B

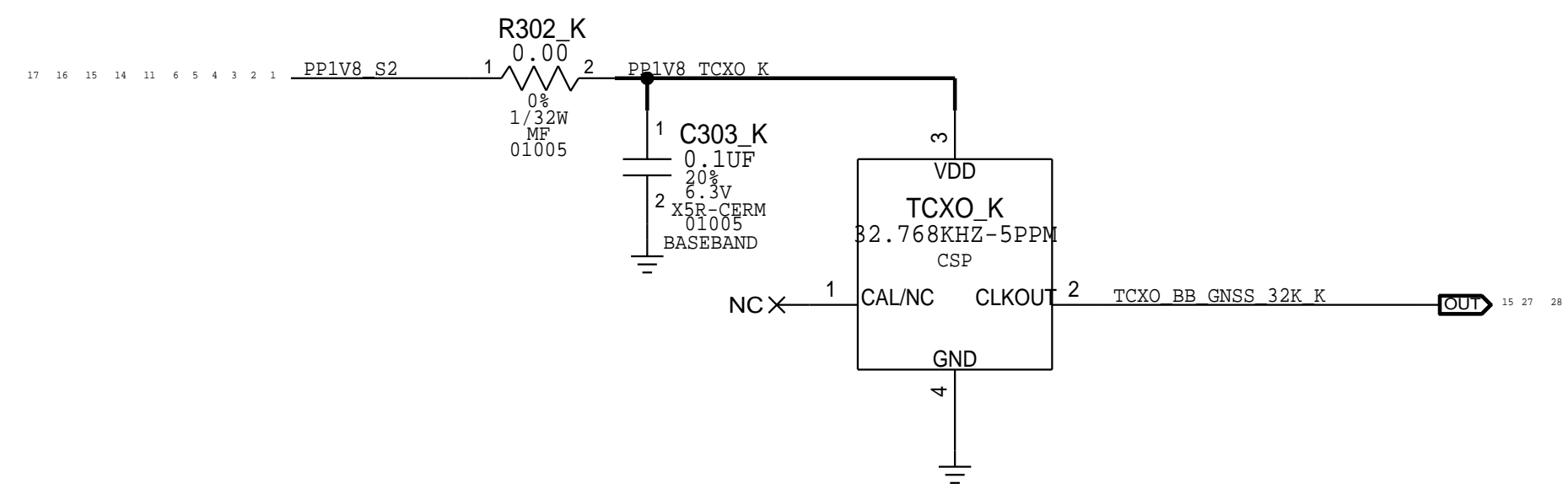
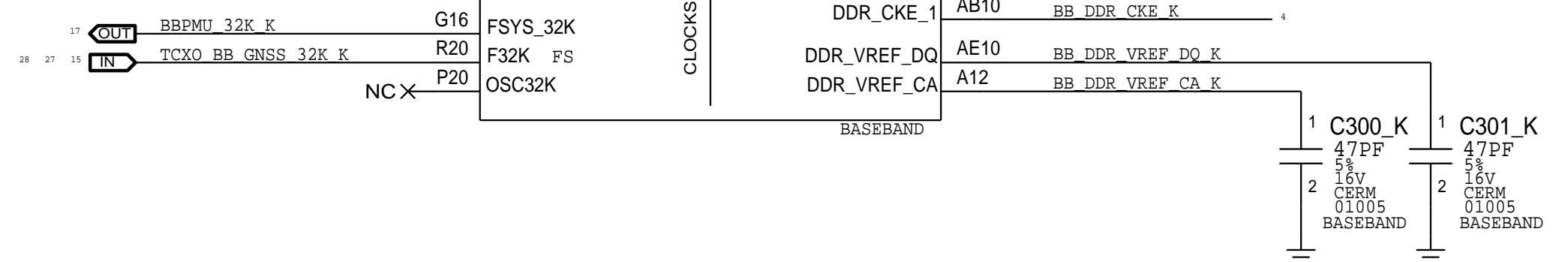
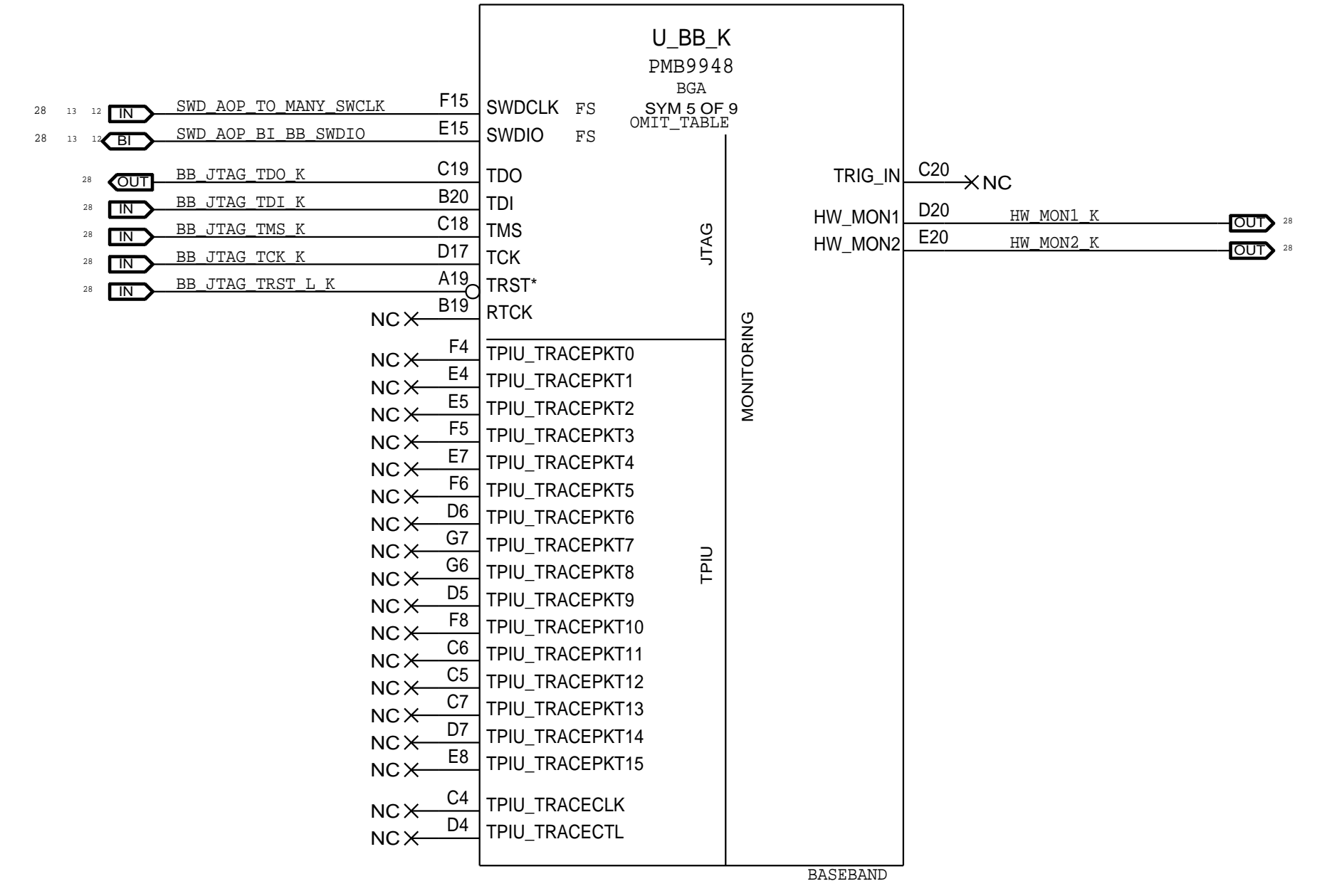
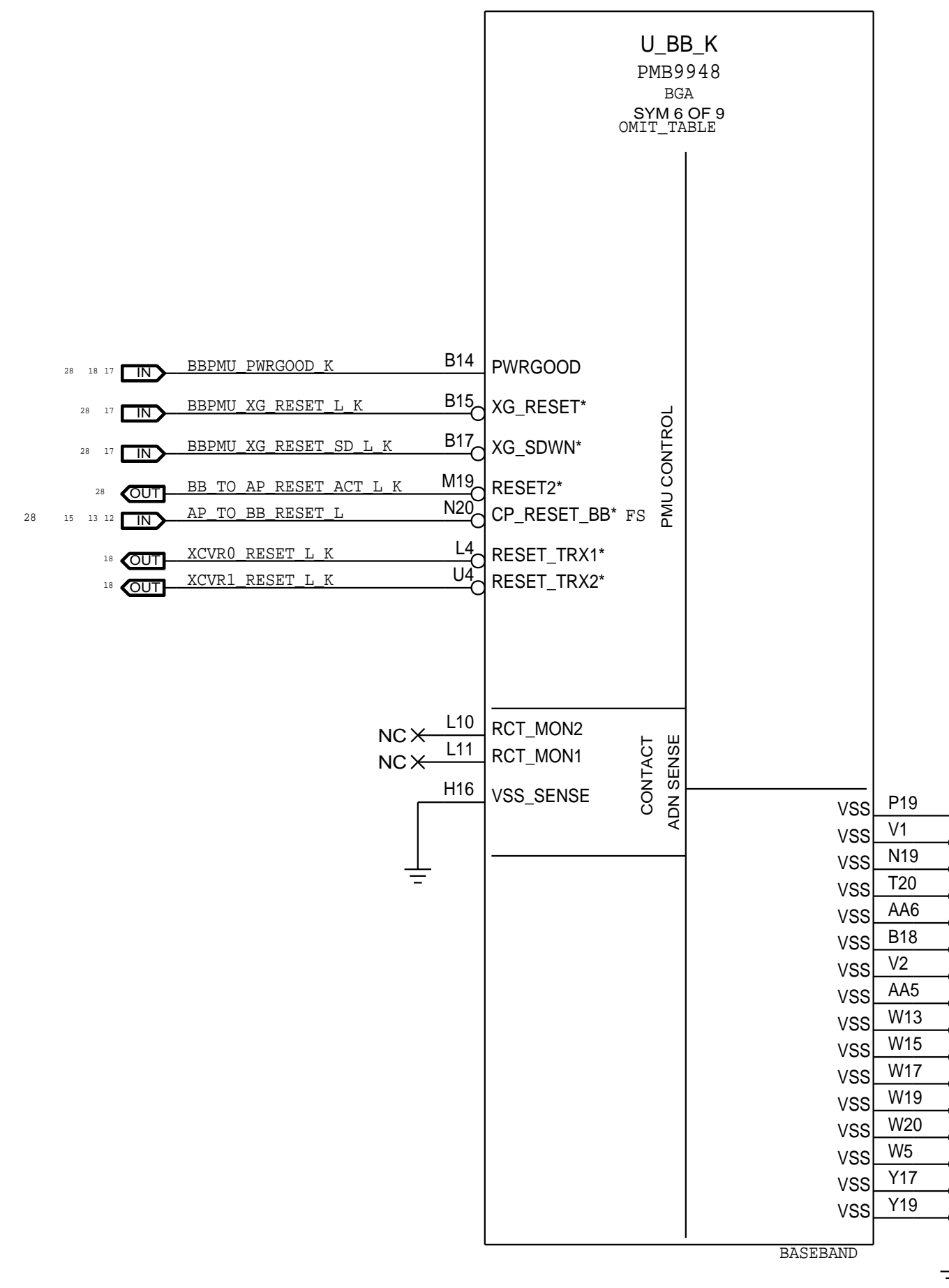
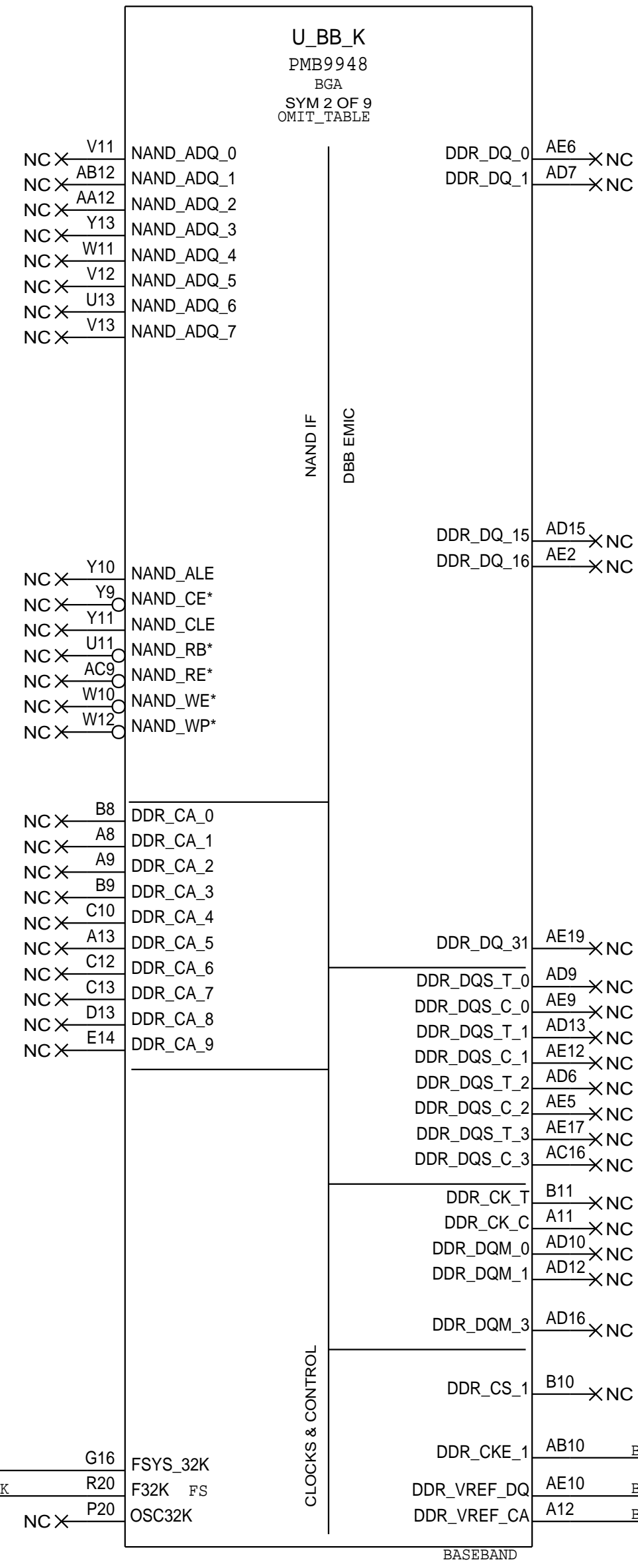
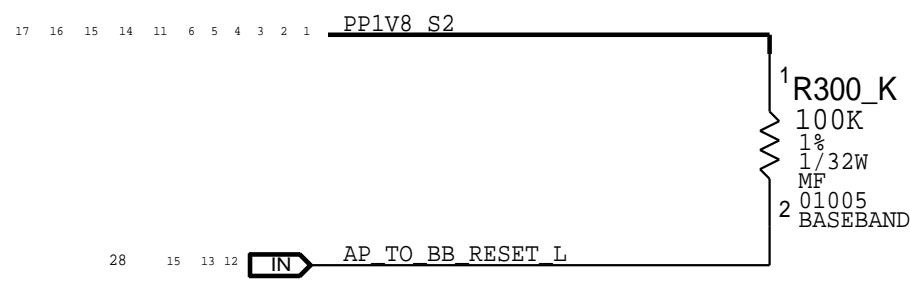
A

D

C

B

A



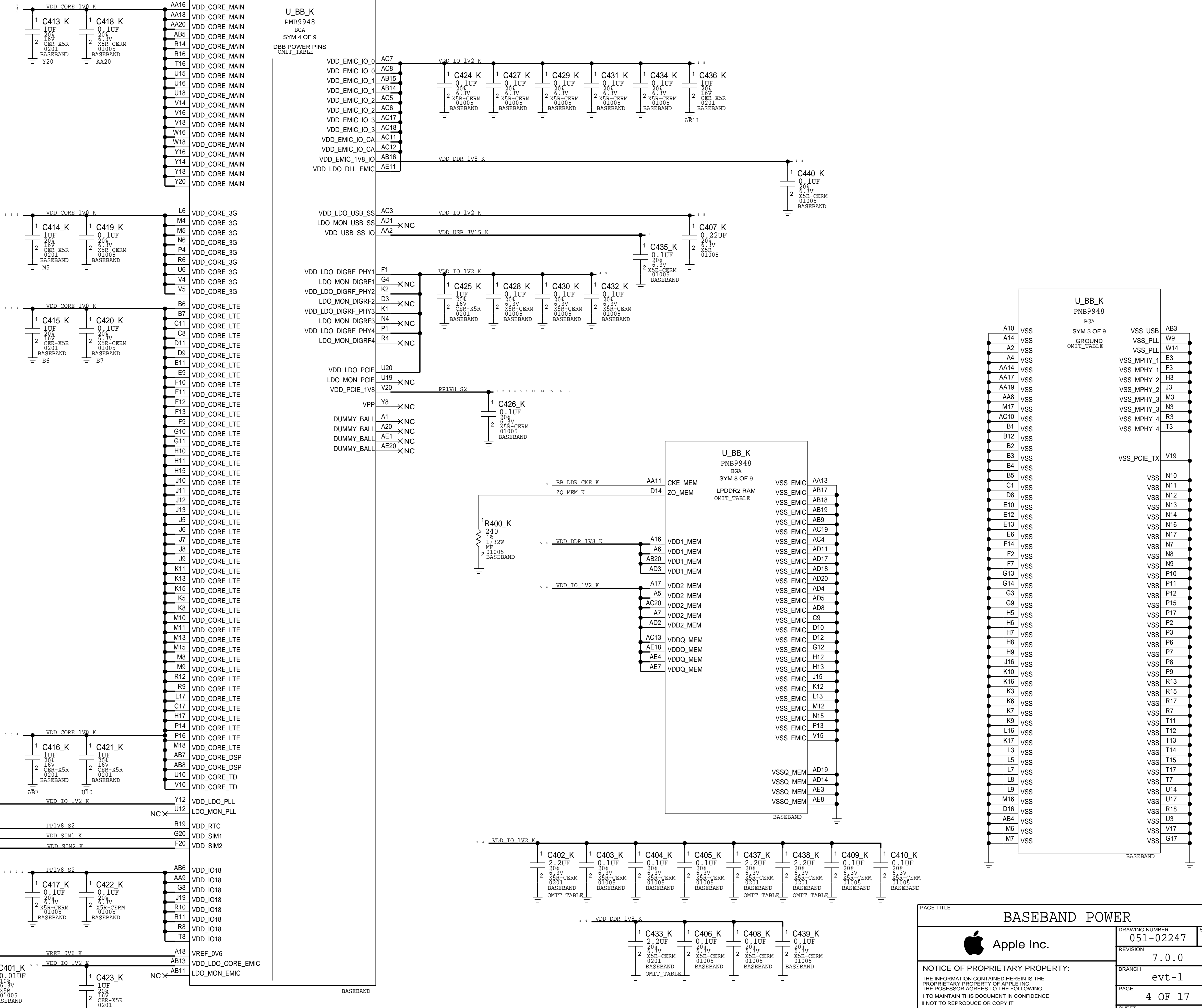
CONFIDENTIAL AND PROPRIETARY APPLE SYSTEM DESIGN. FOR REFERENCE PURPOSE ONLY - NOT A CHANGE REQUEST

8 7 6 5 4 3 2 1

PAGE TITLE		
BASEBAND MEMORY/DEBUG		
	DRAWING NUMBER	051-02247
	REVISION	7.0.0
NOTICE OF PROPRIETARY PROPERTY: THE INFORMATION CONTAINED HEREIN IS THE PROPRIETARY PROPERTY OF APPLE INC. THE POSSESSOR AGREES TO THE FOLLOWING: I TO MAINTAIN THIS DOCUMENT IN CONFIDENCE II NOT TO REPRODUCE OR COPY IT III NOT TO REVEAL OR PUBLISH IT IN WHOLE OR PART IV ALL RIGHTS RESERVED	BRANCH	evt-1
	PAGE	3 OF 17
	SHEET	15 OF 34
	SIZE	D

BASEBAND POWER

D
C
B
A

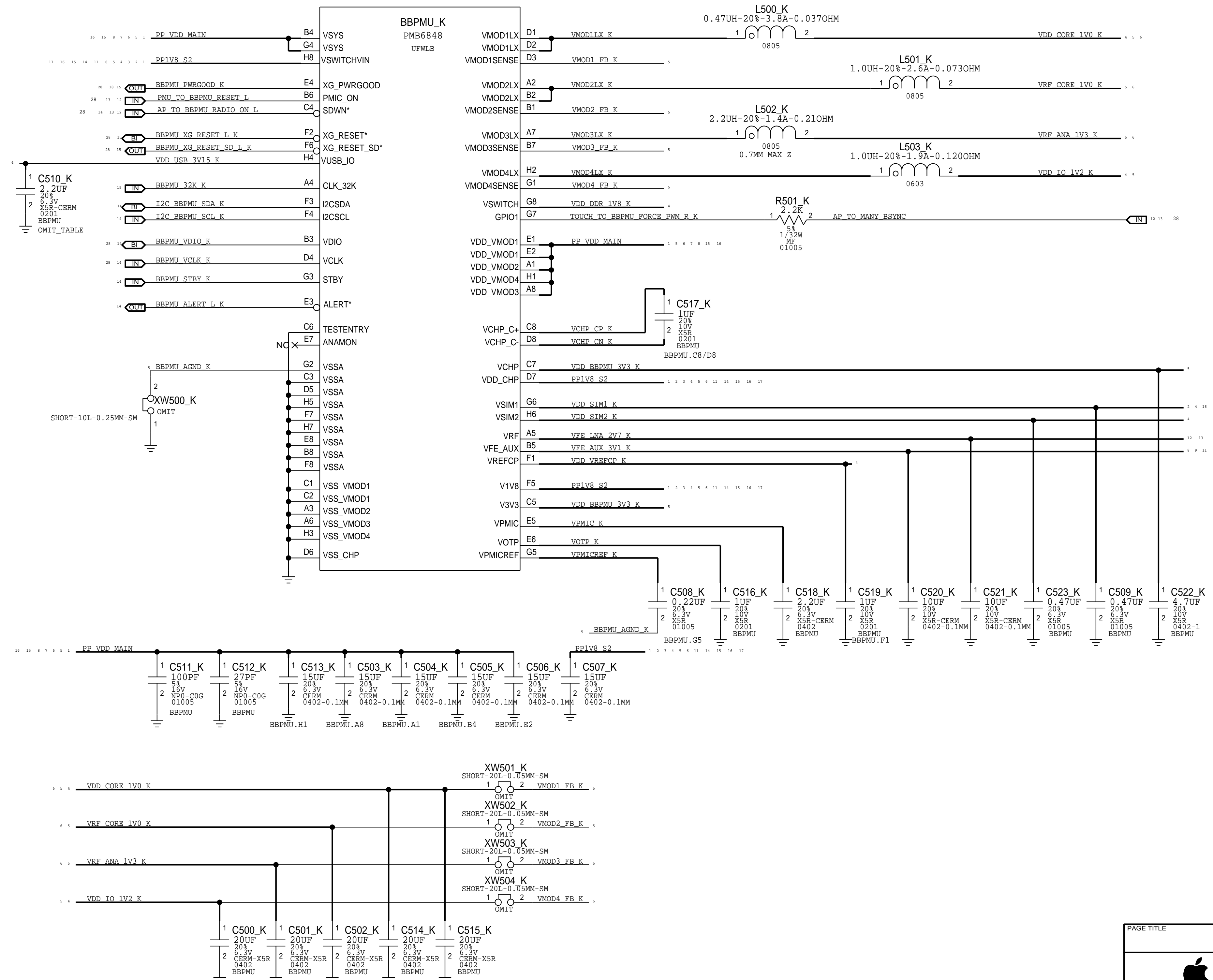


Apple Inc.		
PAGE TITLE	BASEBAND POWER	
DRAWING NUMBER	051-02247	SIZE
REVISION	7.0.0	D
BRANCH	evt-1	
PAGE	4 OF 17	
SHEET	16 OF 34	

NOTICE OF PROPRIETARY PROPERTY: THE INFORMATION CONTAINED HEREIN IS THE PROPRIETARY PROPERTY OF APPLE INC. THE POSSESSOR AGREES TO THE FOLLOWING: I TO MAINTAIN THIS DOCUMENT IN CONFIDENCE I NOT TO REPRODUCE OR COPY IT III NOT TO REVEAL OR PUBLISH IT IN WHOLE OR PART IV ALL RIGHTS RESERVED

D
C
B
A

BASEBAND PMIC



PAGE TITLE		
BASEBAND PMIC		
	DRAWING NUMBER	051-02247
	REVISION	7.0.0
NOTICE OF PROPRIETARY PROPERTY:		
THE INFORMATION CONTAINED HEREIN IS THE PROPRIETARY PROPERTY OF APPLE INC. THE POSSESSOR AGREES TO THE FOLLOWING:		
I TO MAINTAIN THIS DOCUMENT IN CONFIDENCE		
I NOT TO REPRODUCE OR COPY IT		
I NOT TO REVEAL OR PUBLISH IT IN WHOLE OR PART		
I ALL RIGHTS RESERVED		
BRANCH	evt-1	
PAGE	5 OF 17	
SHEET	17 OF 34	

TRANSCEIVERS

LAYOUT: TRACE SHOULD B1 ~1NH/1MM

LAYOUT: TRACE SHOULD B1 ~1NH/1MM

D

D

C

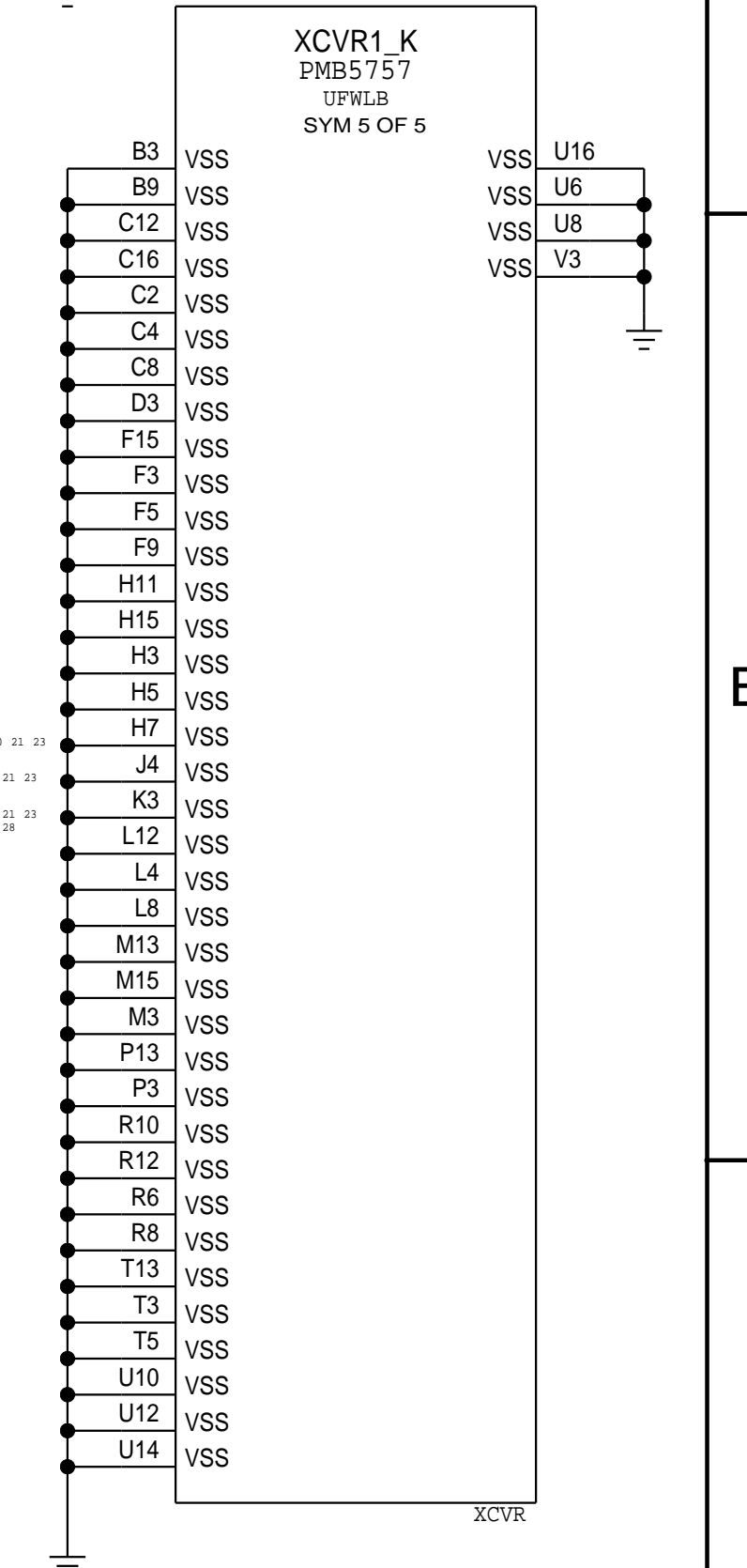
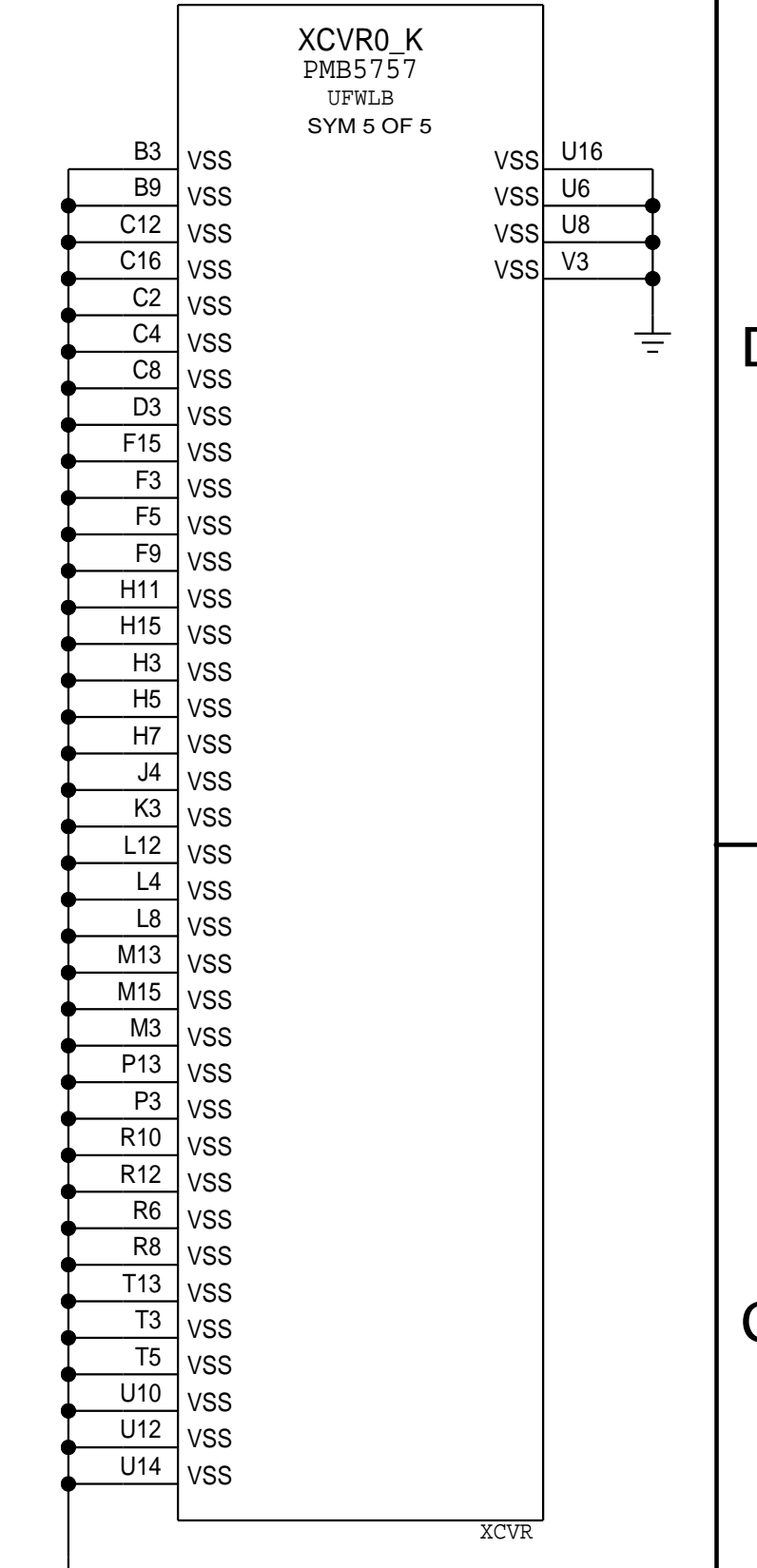
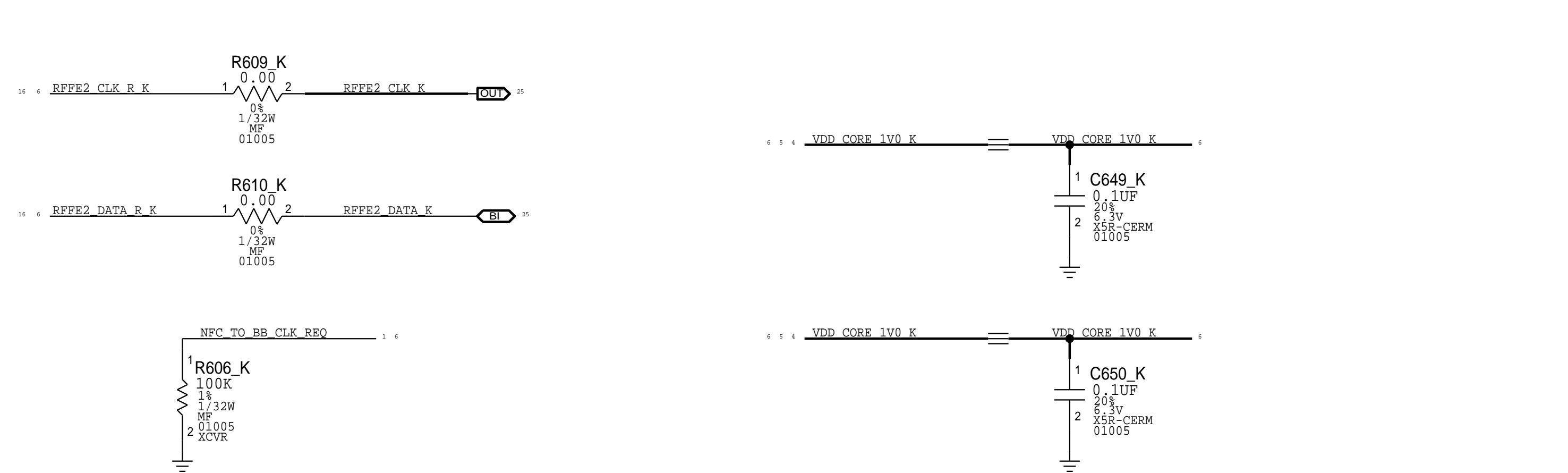
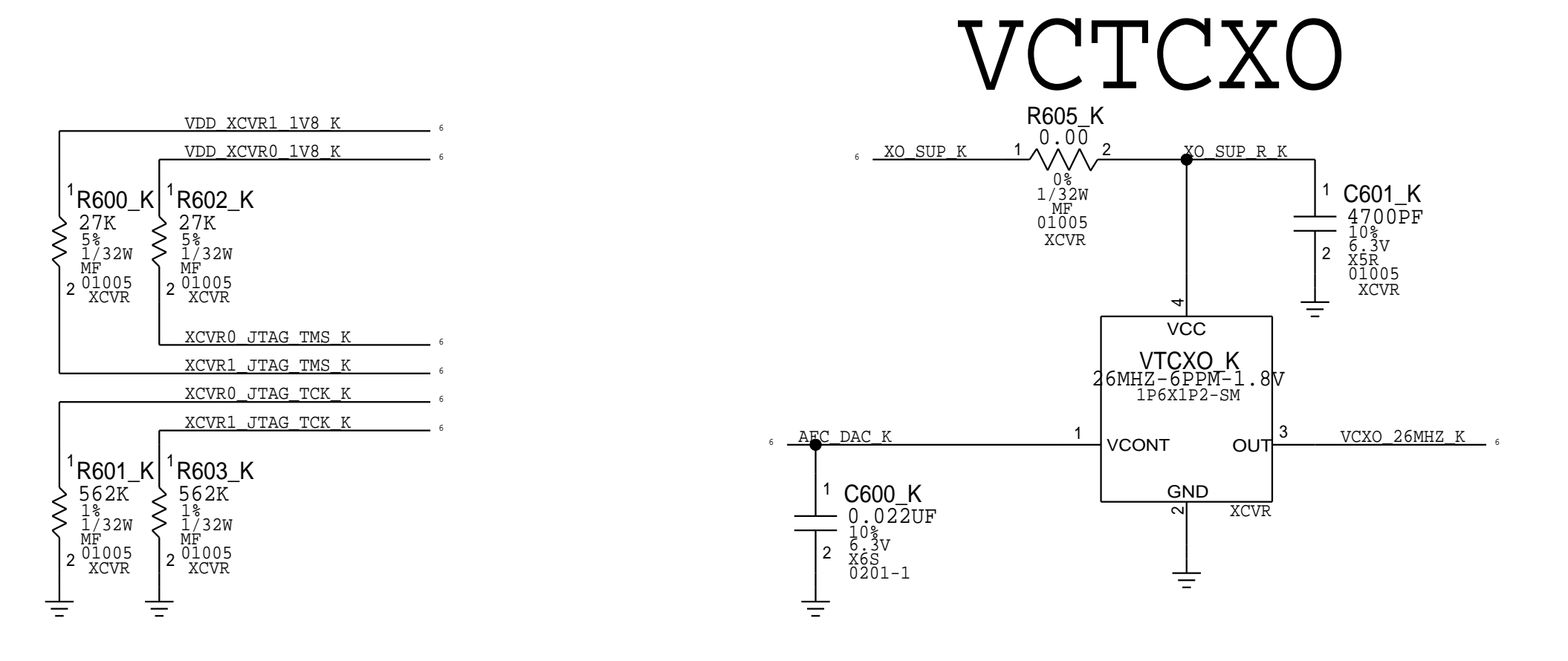
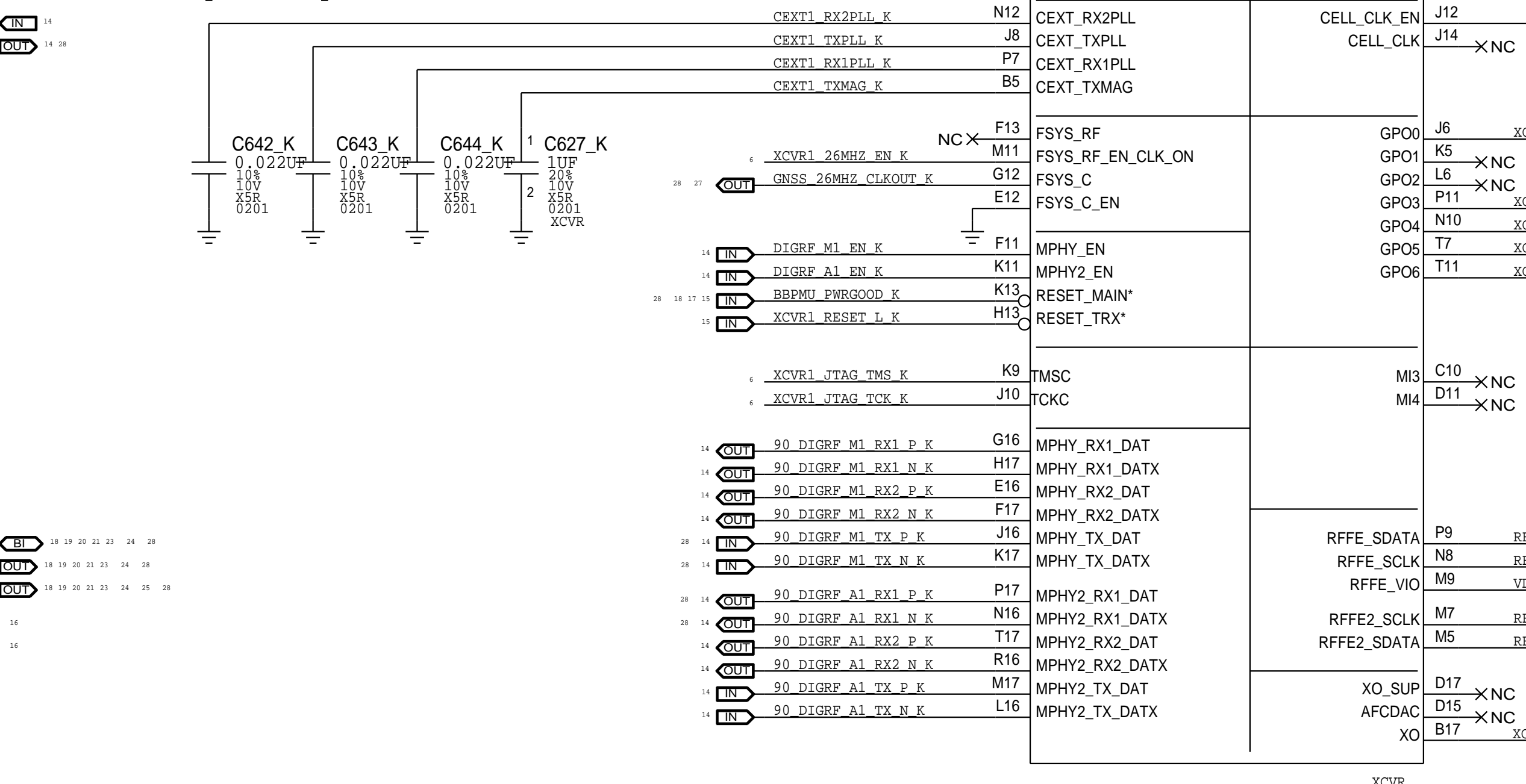
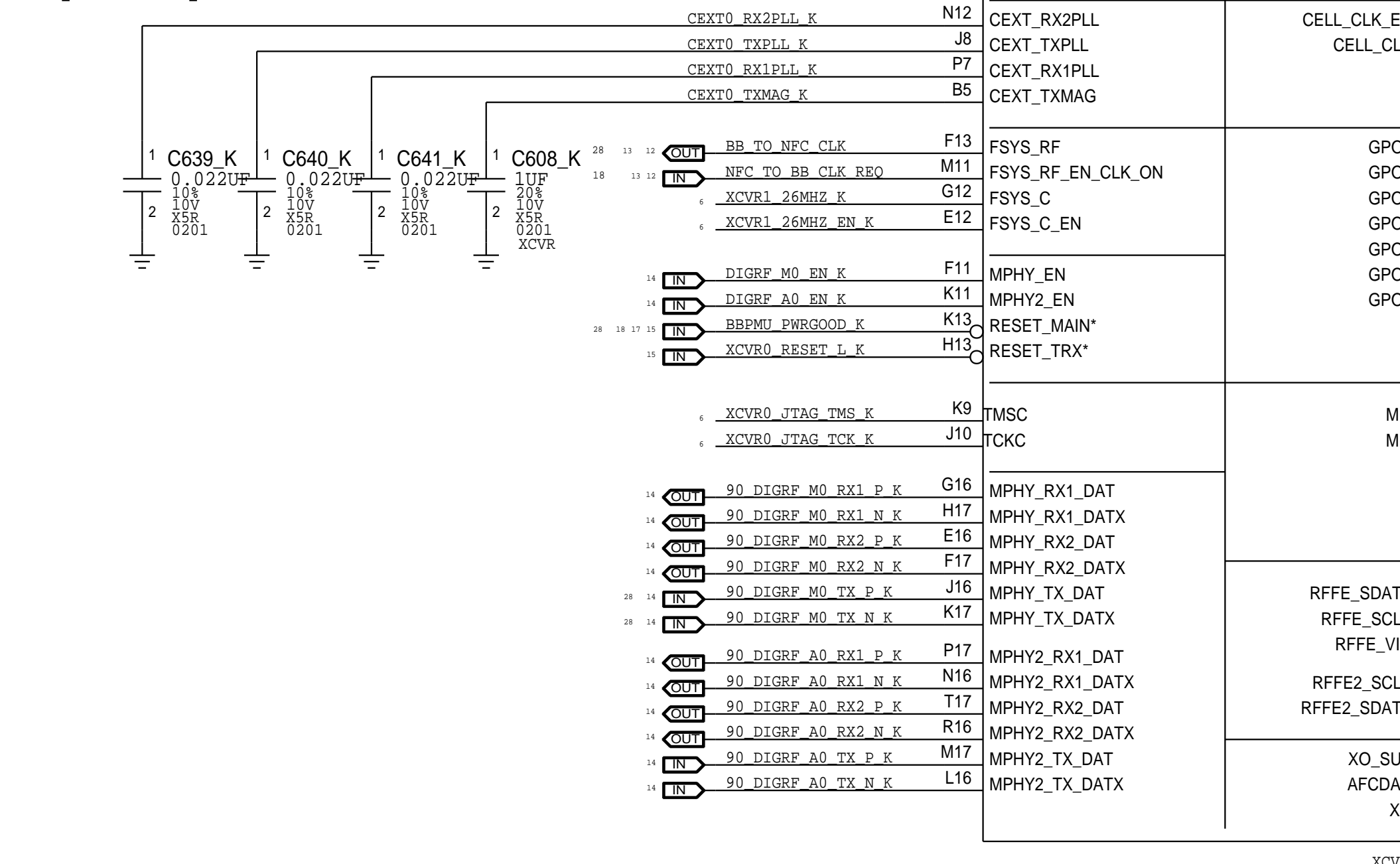
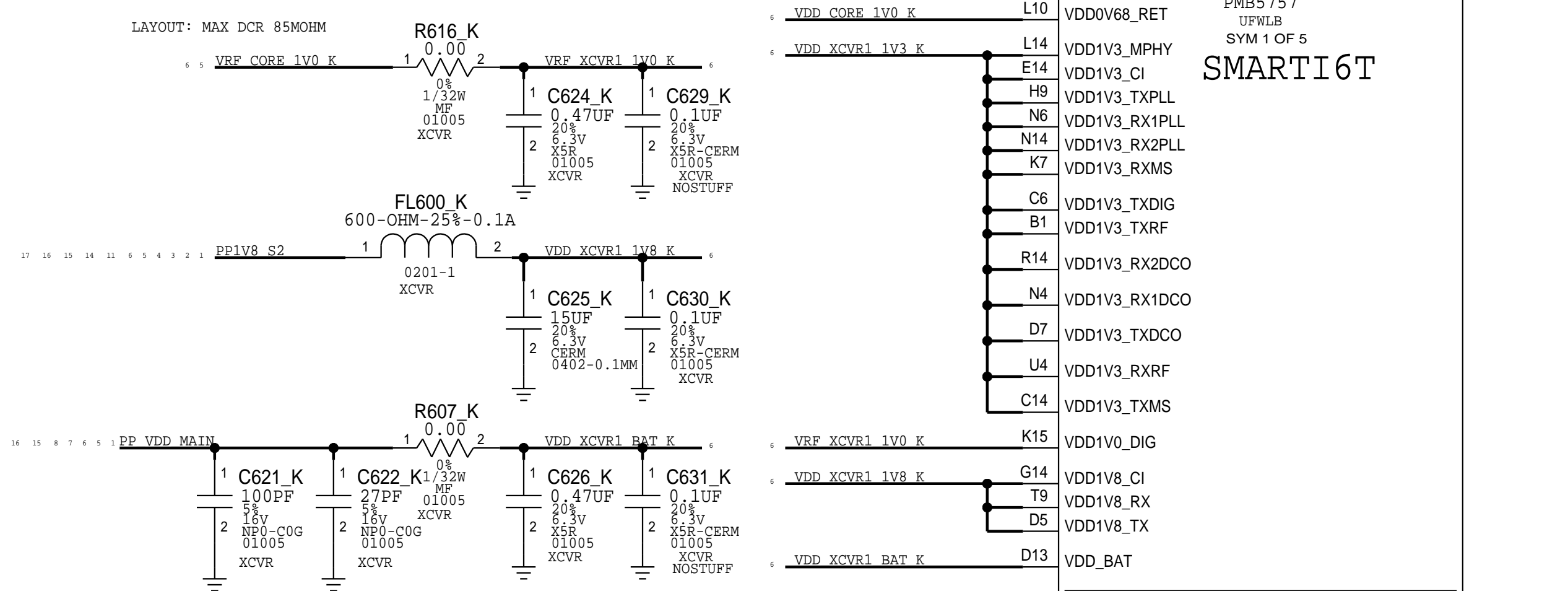
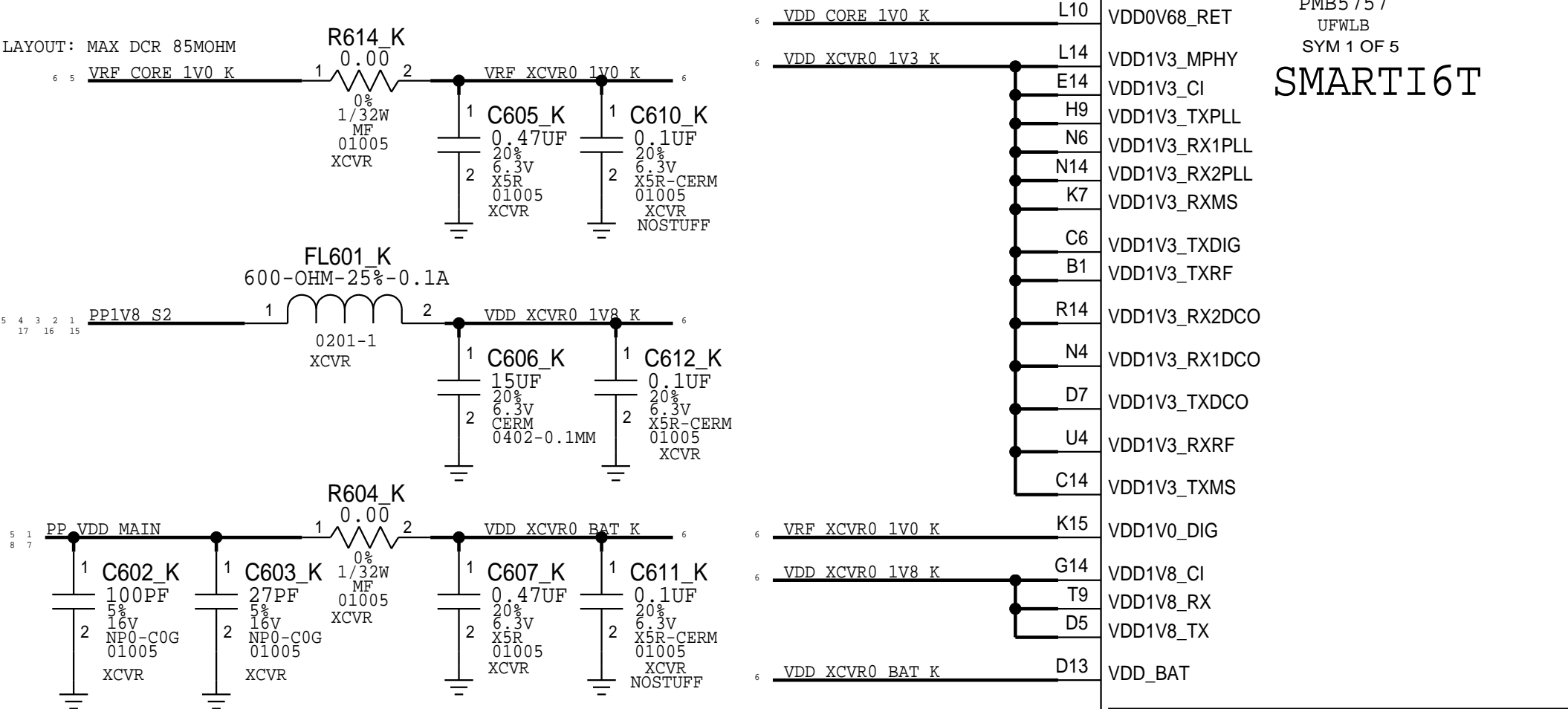
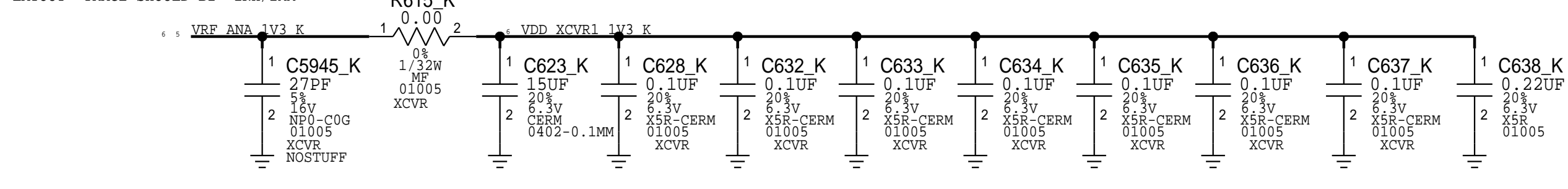
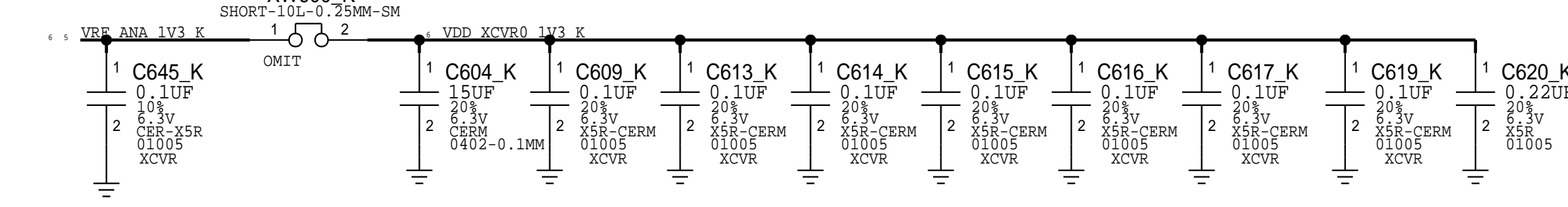
C

B

B

A

A



CONFIDENTIAL AND PROPRIETARY APPLE SYSTEM DESIGN. FOR REFERENCE PURPOSE ONLY - NOT A CHANGE REQUEST

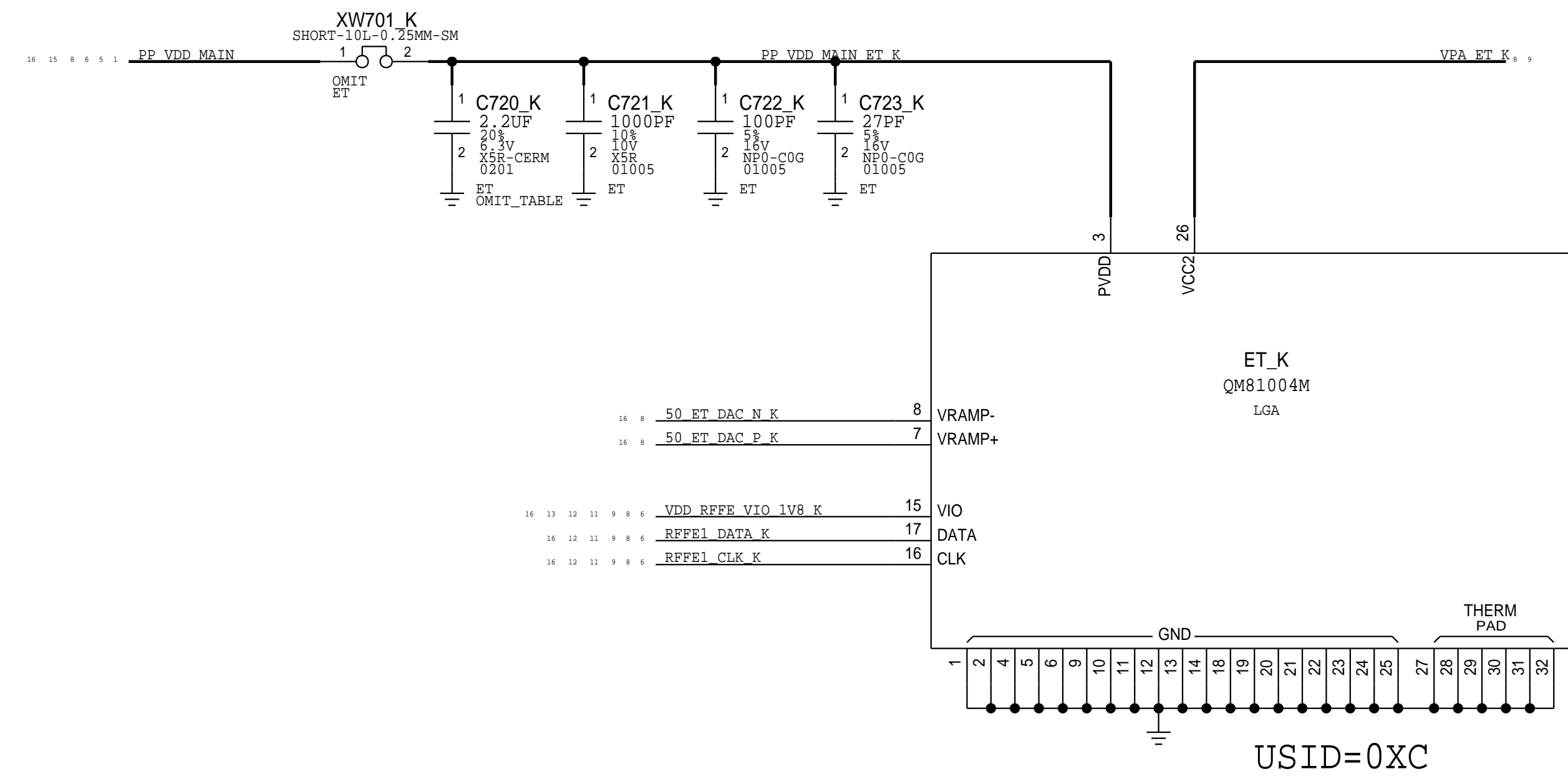
PAGE TITLE		TRANSCEIVERS	
DRAWING NUMBER		051-02247	
REVISION		7.0.0	
BRANCH		evt-1	
PAGE		6 OF 17	
SHEET		18 OF 34	

NOTICE OF PROPRIETARY PROPERTY: THE INFORMATION CONTAINED HEREIN IS THE PROPRIETARY PROPERTY OF APPLE INC. THE POSSESSOR AGREES TO THE FOLLOWING: I TO MAINTAIN THIS DOCUMENT IN CONFIDENCE I NOT TO REPRODUCE OR COPY IT I NOT TO REVEAL OR PUBLISH IT IN WHOLE OR PART I ALL RIGHTS RESERVED

NOTE: GNSS_CLK REQUESTED WITH AT@CMD

ET MODULATOR

ALPES II MODULE

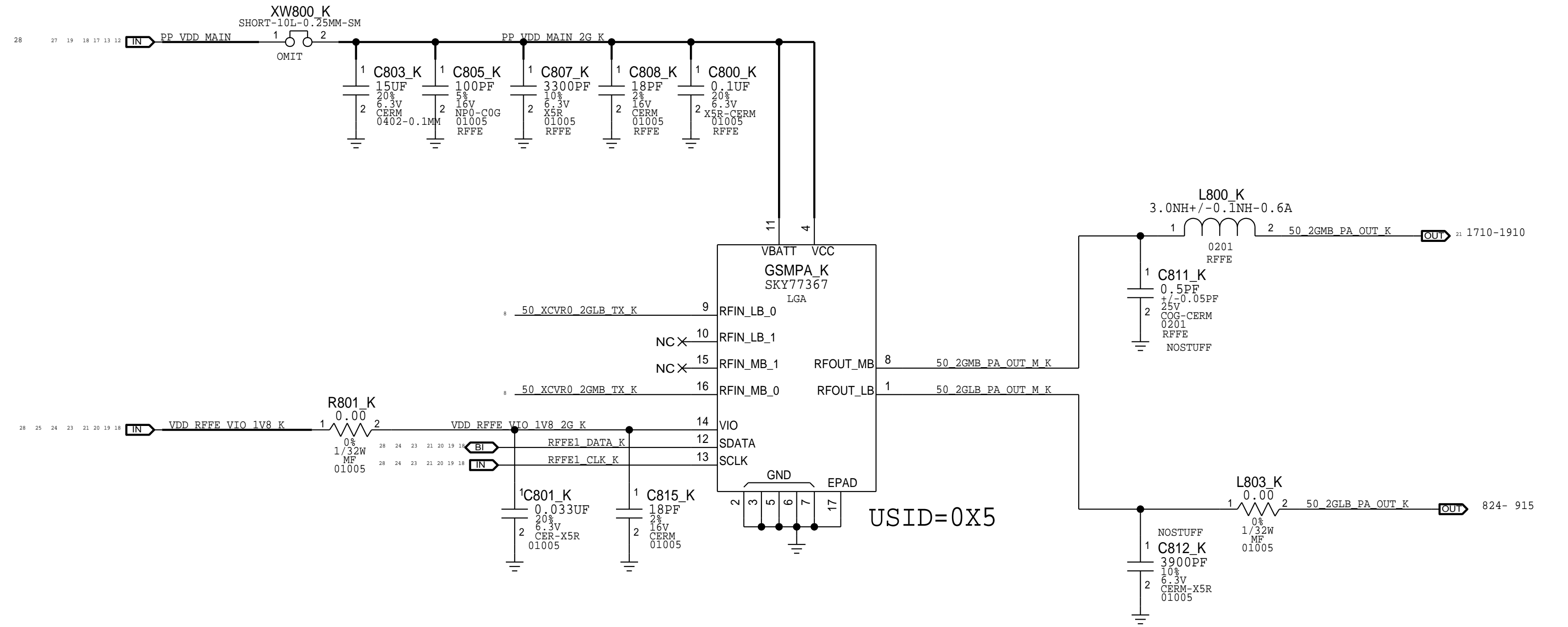
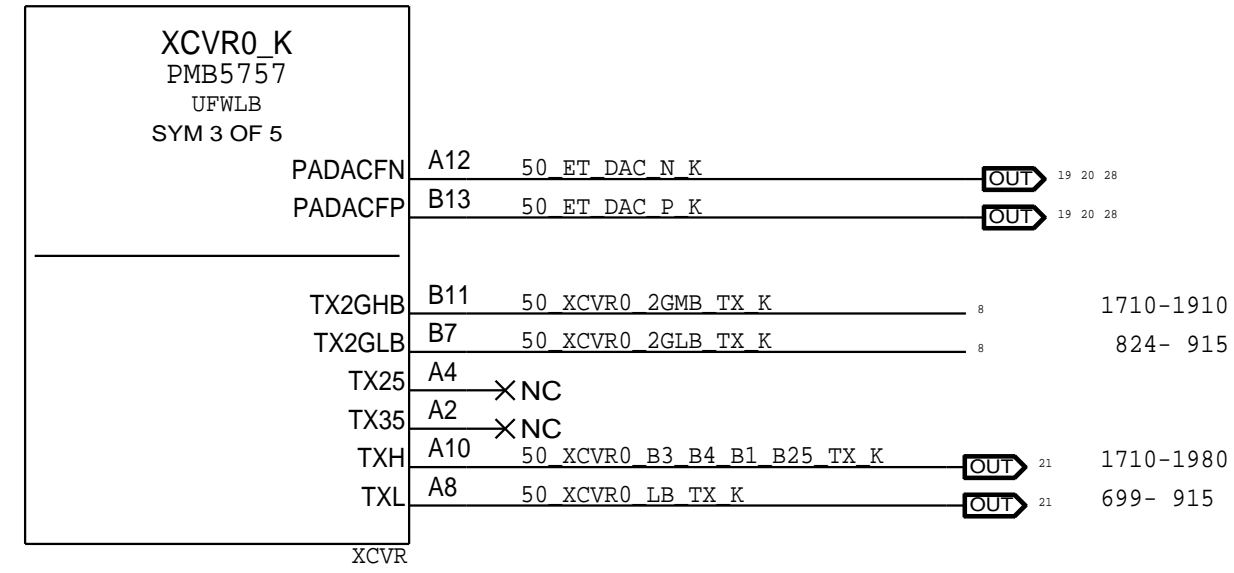


PAGE TITLE ET MODULATOR		
	DRAWING NUMBER 051-02247	SIZE D
	REVISION 7.0.0	BRANCH evt-1
NOTICE OF PROPRIETARY PROPERTY: THE INFORMATION CONTAINED HEREIN IS THE PROPRIETARY PROPERTY OF APPLE INC. THE POSSESSOR AGREES TO THE FOLLOWING: I TO MAINTAIN THIS DOCUMENT IN CONFIDENCE II NOT TO REPRODUCE OR COPY IT III NOT TO REVEAL OR PUBLISH IT IN WHOLE OR PART IV ALL RIGHTS RESERVED		PAGE 7 OF 17 SHEET 19 OF 34

TDD TRANSMIT

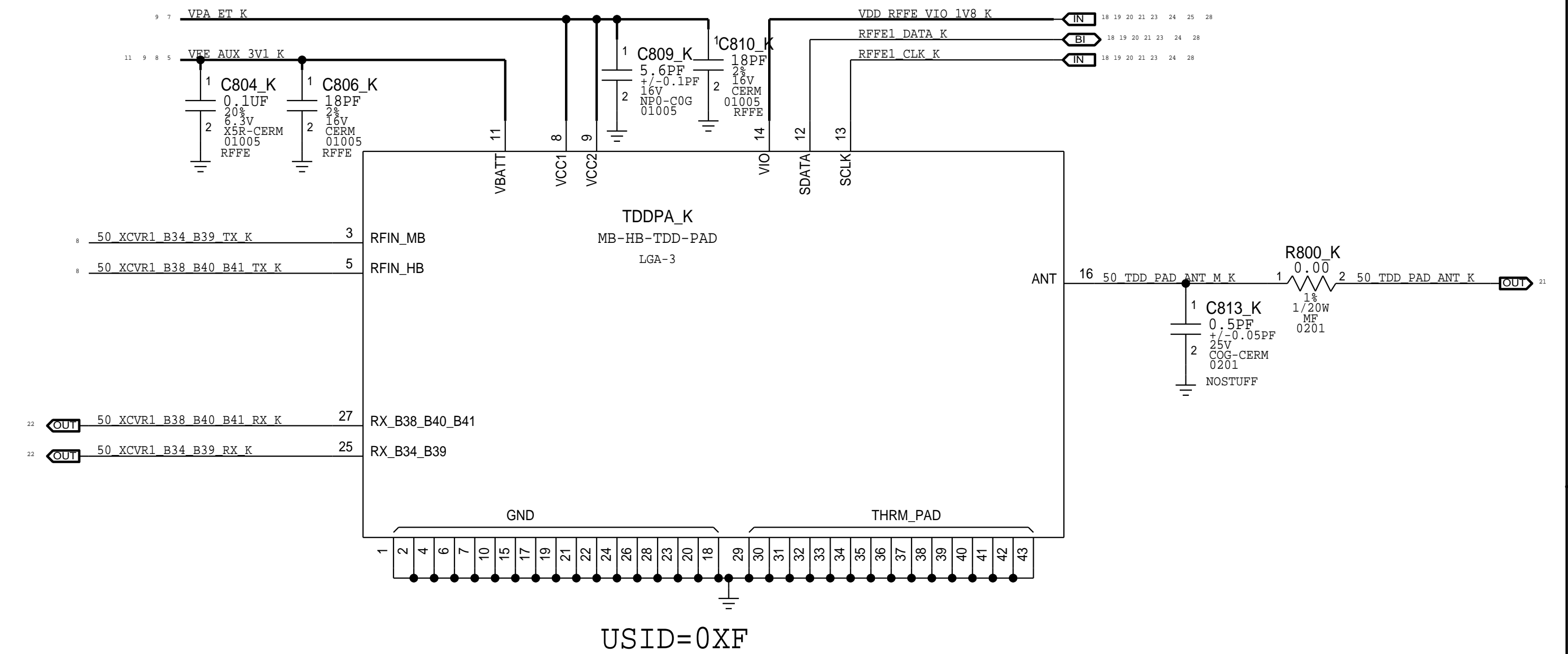
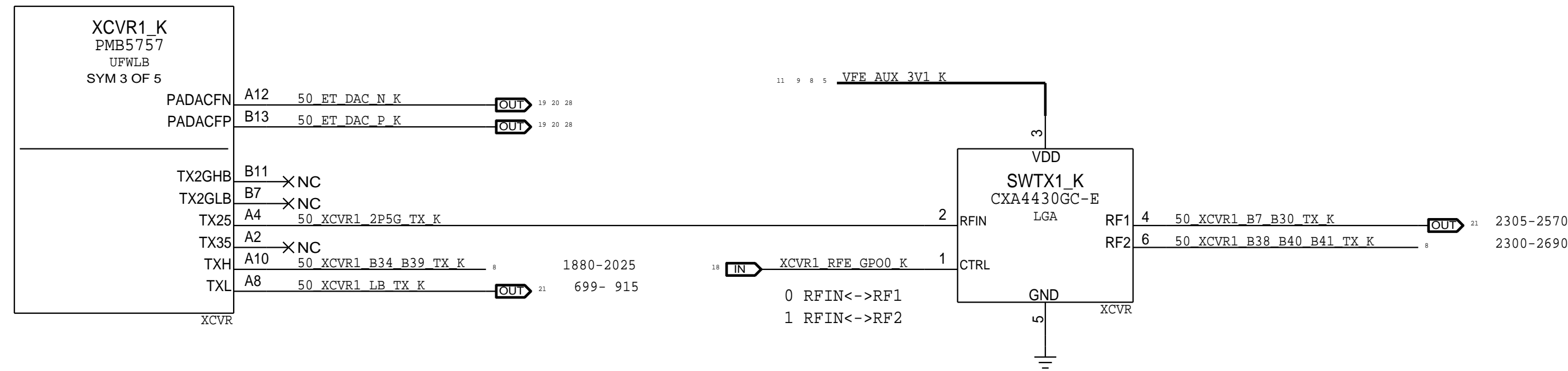
2G PA

XCVR0 TX



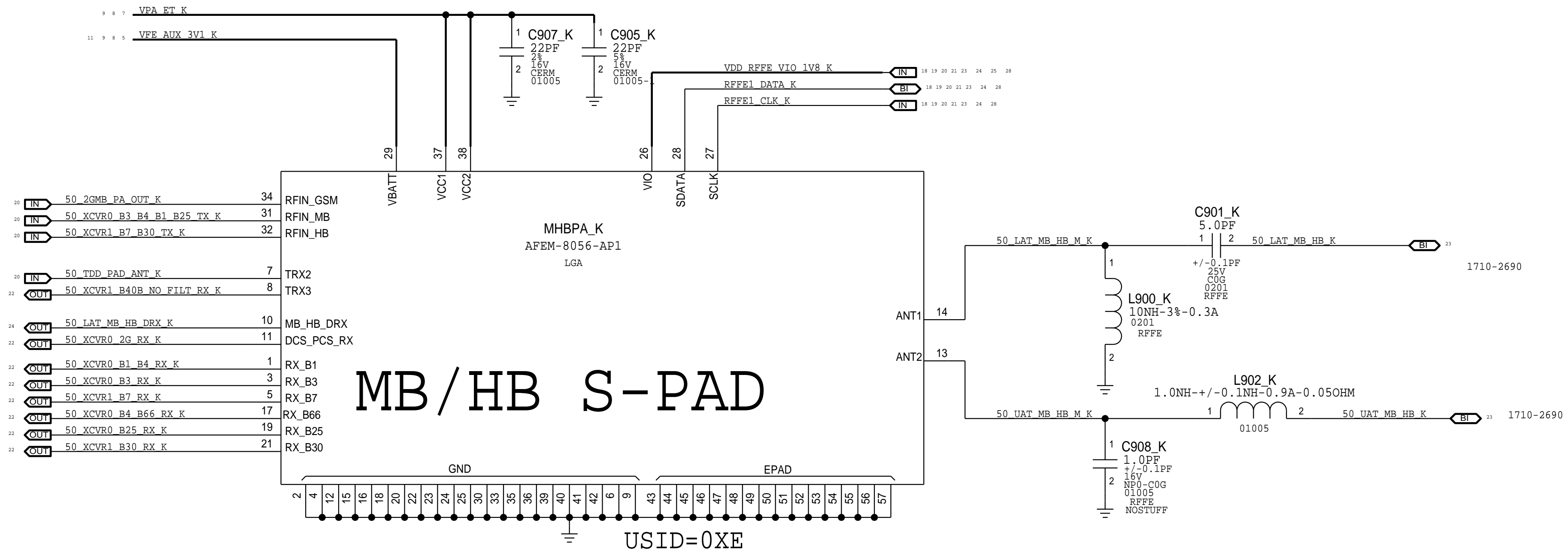
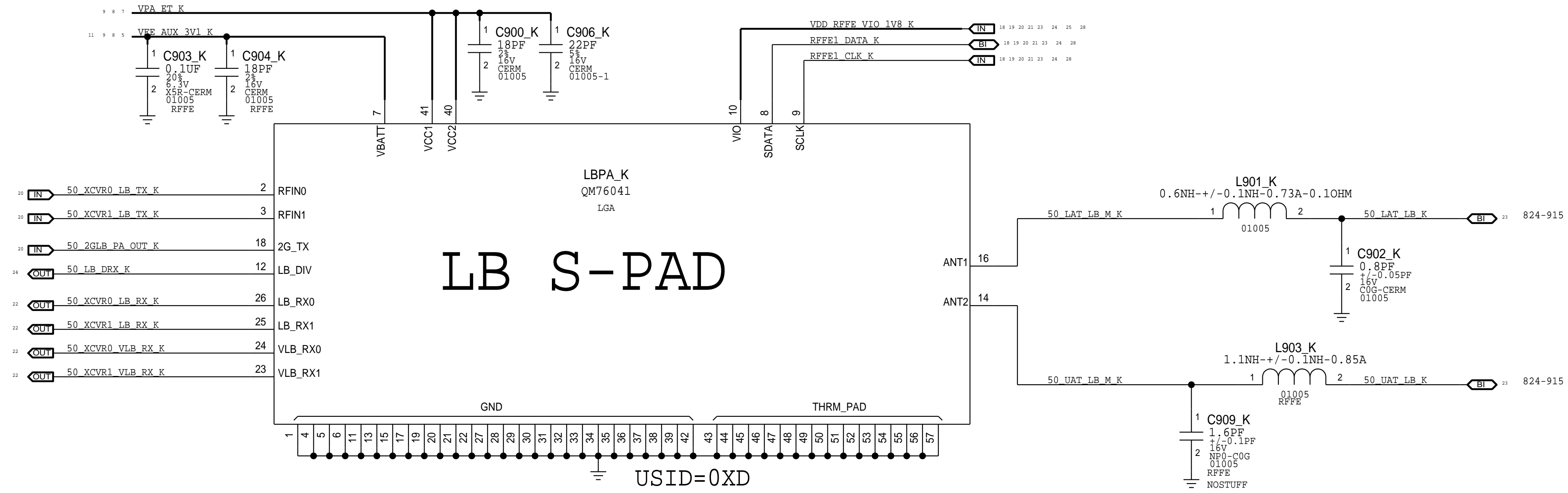
MB HB TDD S-PAD

XCVR1 TX



PAGE TITLE		
TDD TRANSMIT		
	DRAWING NUMBER	051-02247
	REVISION	7.0.0
NOTICE OF PROPRIETARY PROPERTY: THE INFORMATION CONTAINED HEREIN IS THE PROPRIETARY PROPERTY OF APPLE INC. THE POSSESSOR AGREES TO THE FOLLOWING: I TO MAINTAIN THIS DOCUMENT IN CONFIDENCE II NOT TO REPRODUCE OR COPY IT III NOT TO REVEAL OR PUBLISH IT IN WHOLE OR PART IV ALL RIGHTS RESERVED	BRANCH	evt-1
	PAGE	8 OF 17
	SHEET	20 OF 34

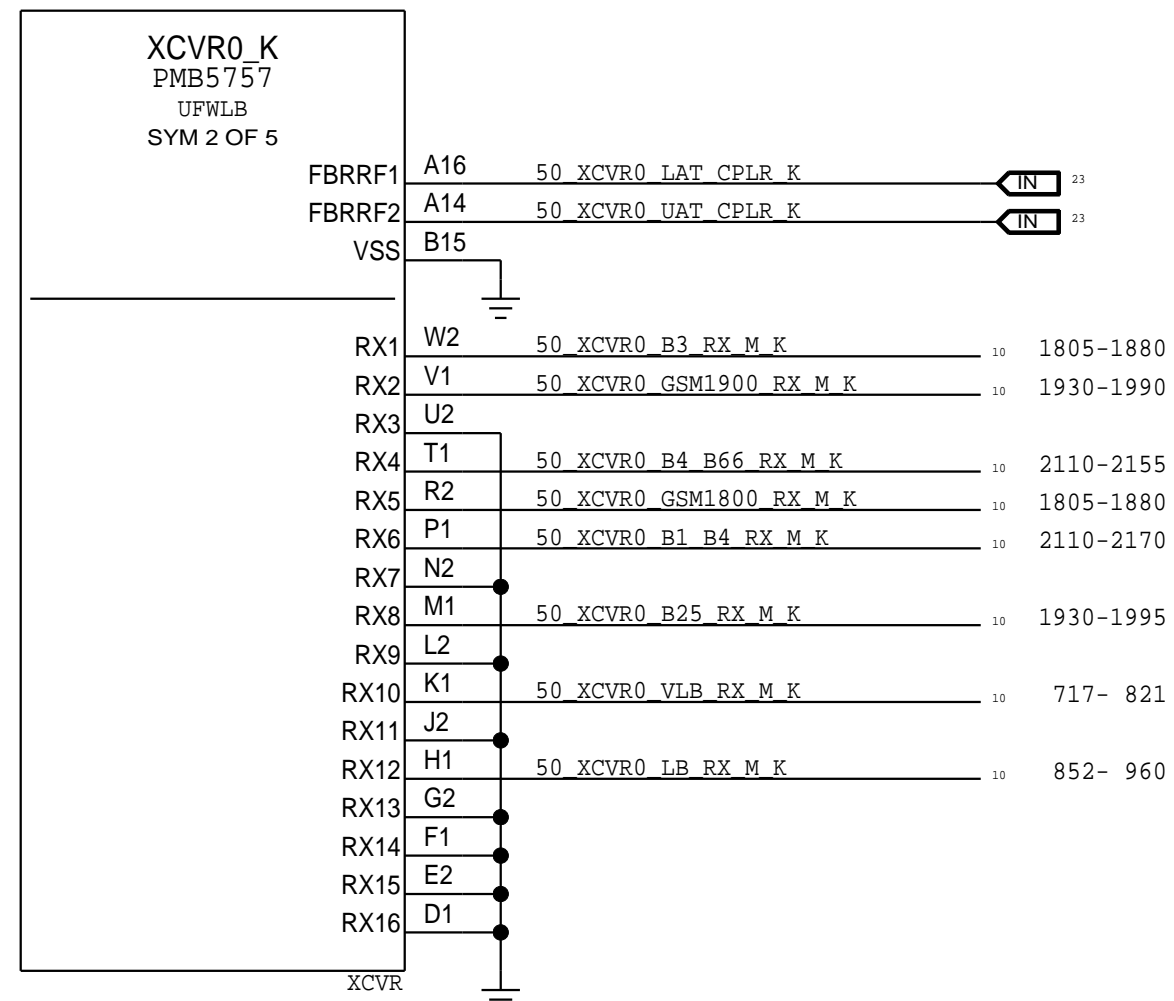
FDD TRANSMIT



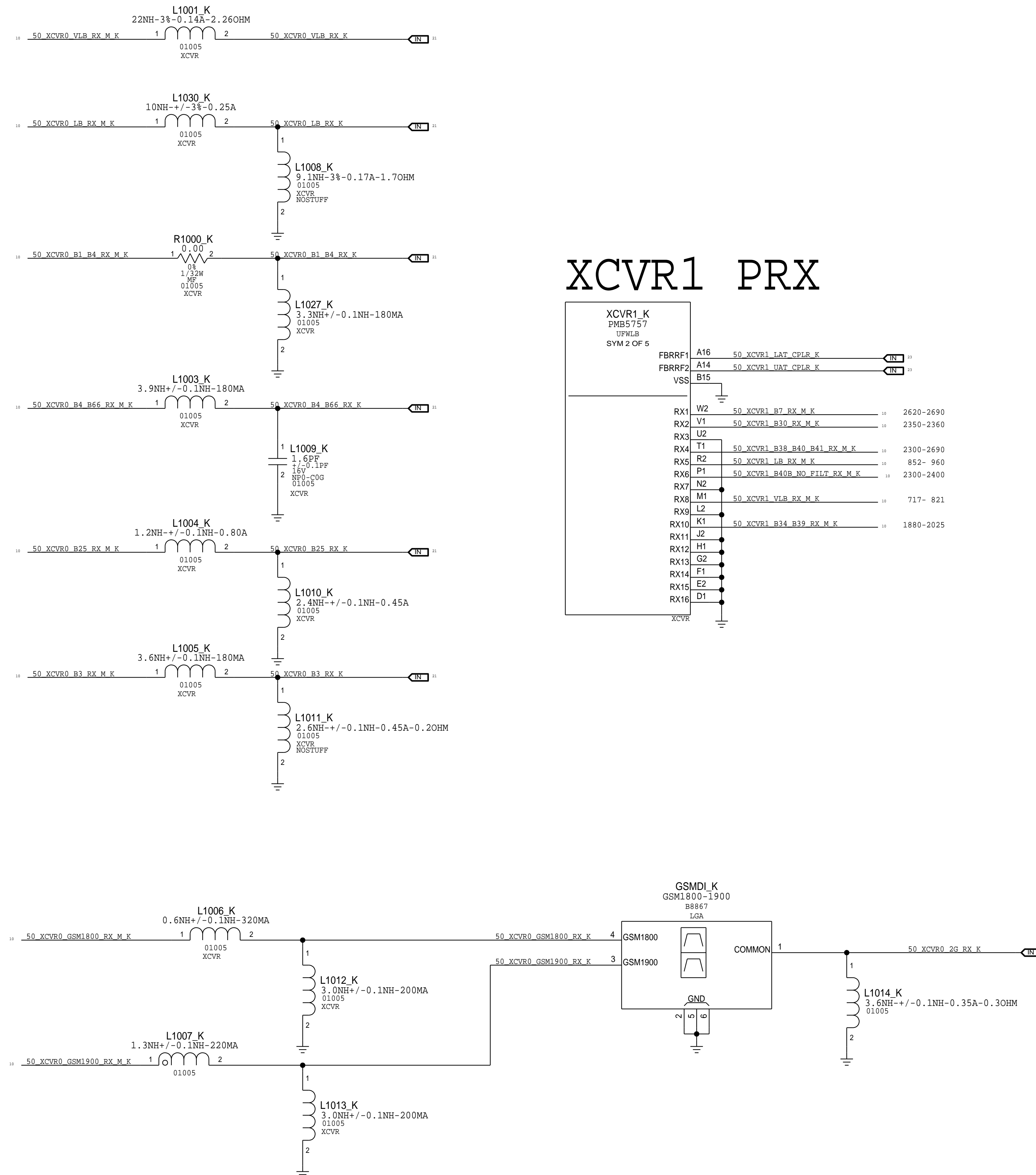
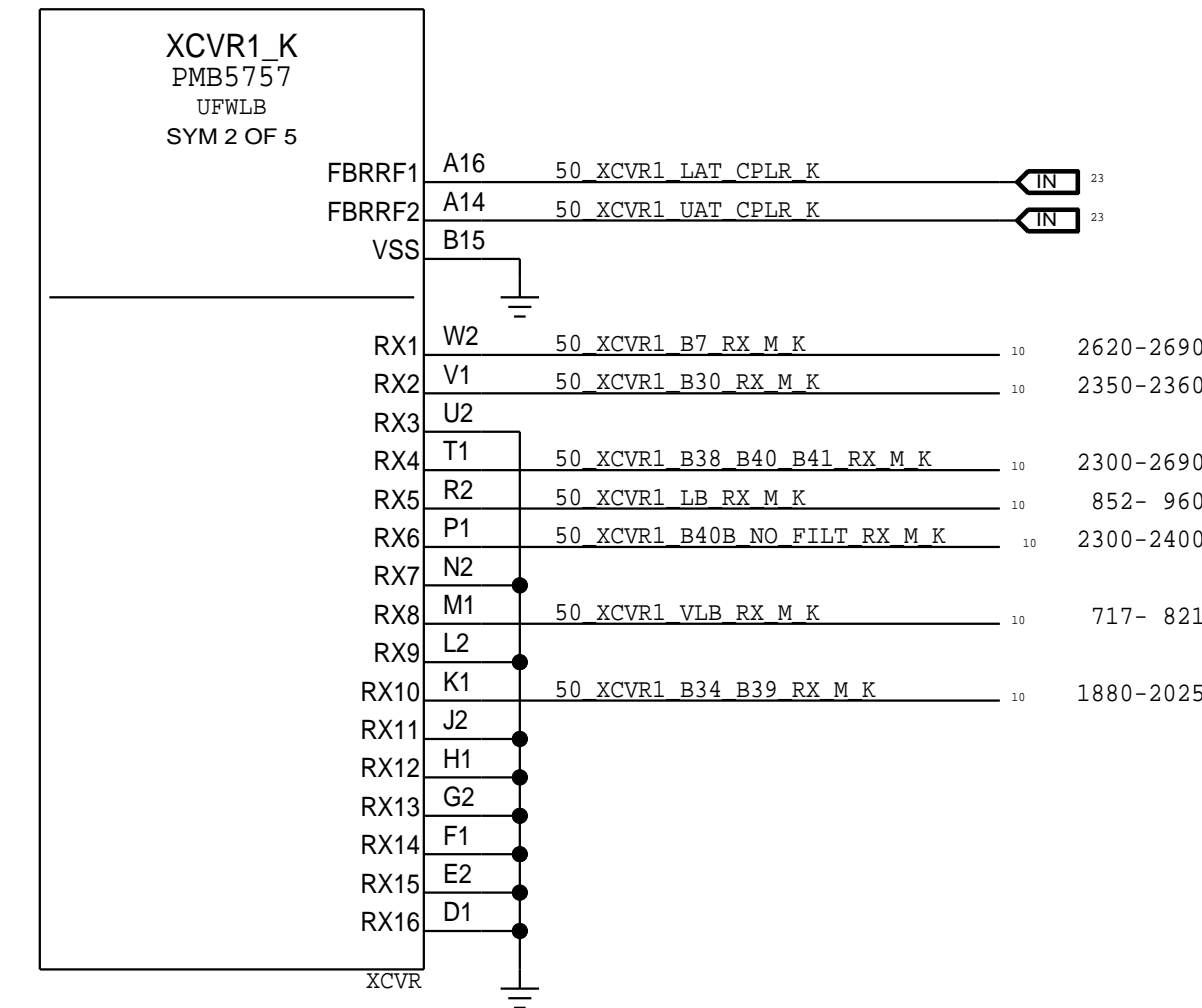
PAGE TITLE			
FDD TRANSMIT			
	DRAWING NUMBER	051-02247	
	REVISION	7.0.0	
NOTICE OF PROPRIETARY PROPERTY: THE INFORMATION CONTAINED HEREIN IS THE PROPRIETARY PROPERTY OF APPLE INC. THE POSSESSOR AGREES TO THE FOLLOWING: I TO MAINTAIN THIS DOCUMENT IN CONFIDENCE II NOT TO REPRODUCE OR COPY IT III NOT TO REVEAL OR PUBLISH IT IN WHOLE OR PART IV ALL RIGHTS RESERVED		BRANCH	evt-1
		PAGE	9 OF 17
		SHEET	21 OF 34
		SIZE	D

PRIMARY RECIEVE

XCVR0 PRX



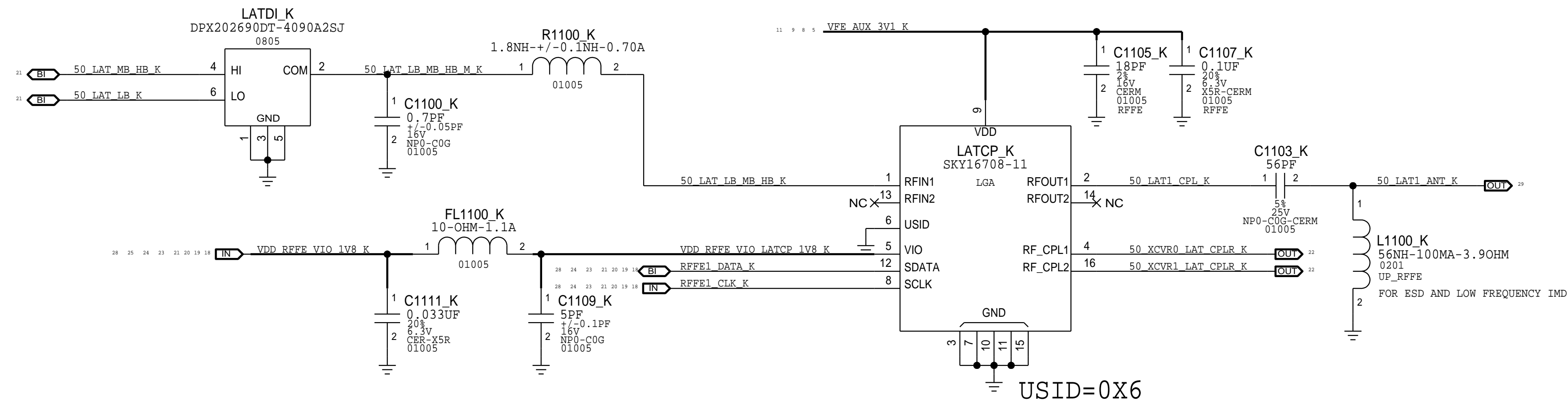
XCVR1 PRX



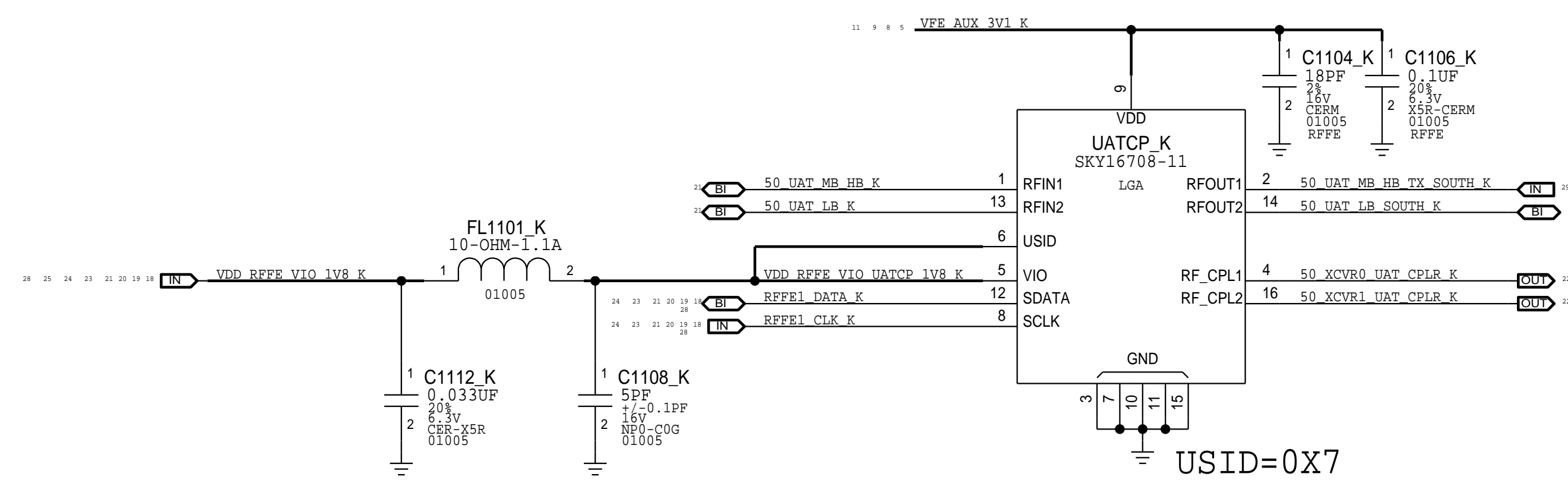
PRIMARY RECEIVE		
	DRAWING NUMBER	051-02247
	REVISION	7.0.0
NOTICE OF PROPRIETARY PROPERTY: THE INFORMATION CONTAINED HEREIN IS THE PROPRIETARY PROPERTY OF APPLE INC. THE POSSESSOR AGREES TO THE FOLLOWING: I TO MAINTAIN THIS DOCUMENT IN CONFIDENCE I NOT TO REPRODUCE OR COPY IT I NOT TO REVEAL OR PUBLISH IT IN WHOLE OR PART I ALL RIGHTS RESERVED	BRANCH	evt-1
	PAGE	10 OF 17
	SHEET	22 OF 34

LOWER ANTENNA AND COUPLER

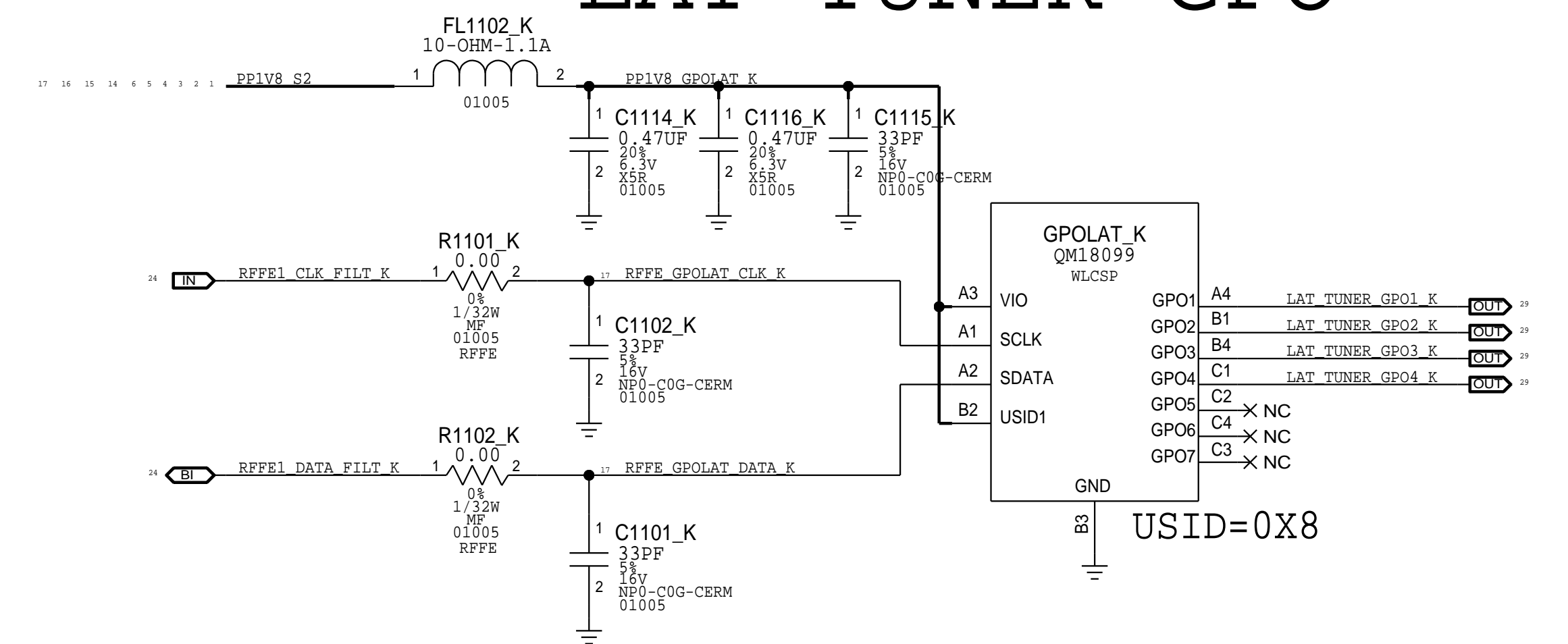
LOWER ANTENNA COUPLER



UPPER ANTENNA COUPLER



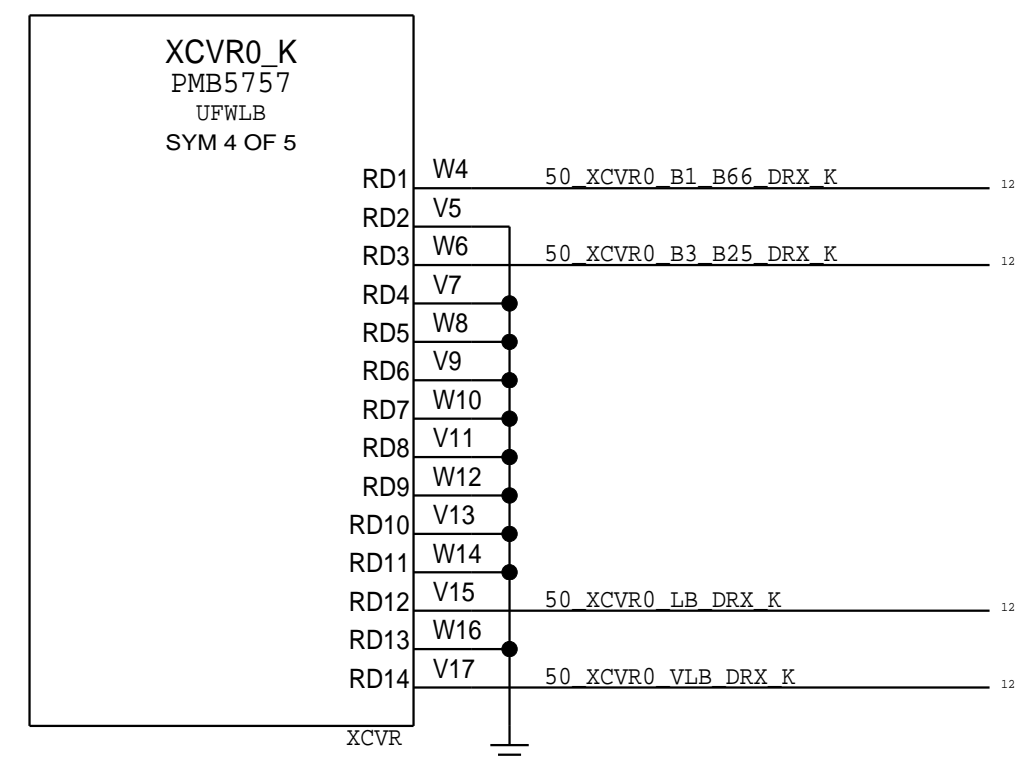
LAT TUNER GPO



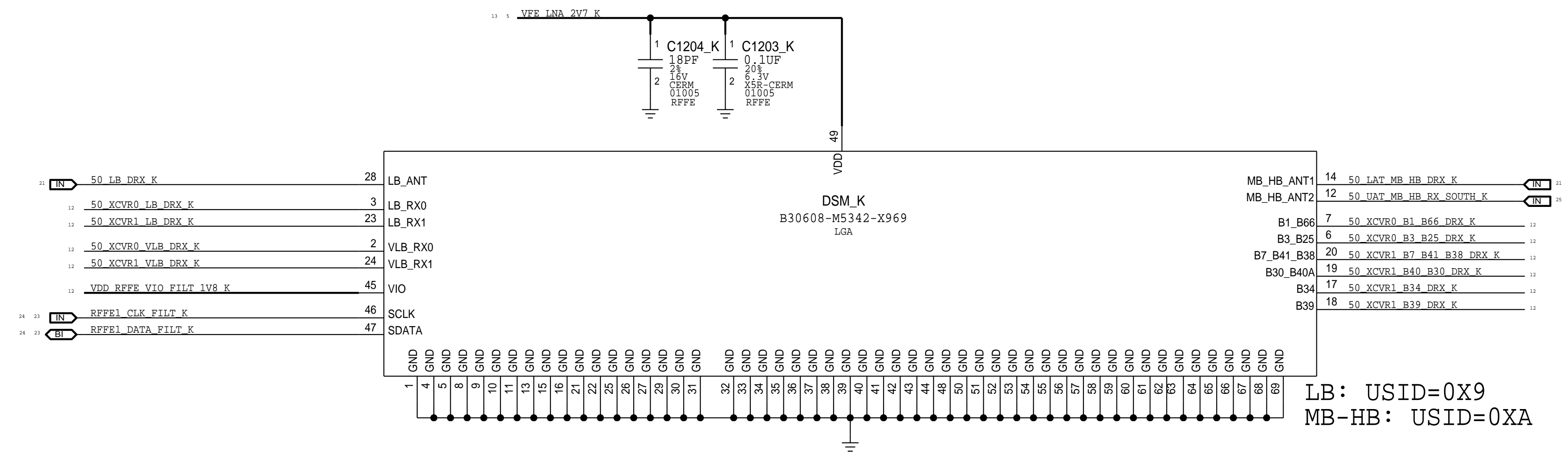
PAGE TITLE LOWER ANTENNA & COUPLERS		
	DRAWING NUMBER 051-02247	SIZE D
	REVISION 7.0.0	
NOTICE OF PROPRIETARY PROPERTY: THE INFORMATION CONTAINED HEREIN IS THE PROPRIETARY PROPERTY OF APPLE INC. THE POSSESSOR AGREES TO THE FOLLOWING: I TO MAINTAIN THIS DOCUMENT IN CONFIDENCE II NOT TO REPRODUCE OR COPY IT III NOT TO REVEAL OR PUBLISH IT IN WHOLE OR PART IV ALL RIGHTS RESERVED		
BRANCH evt-1	PAGE 11 OF 17	SHEET 23 OF 34

DIVERSITY RECEIVE ASM'S

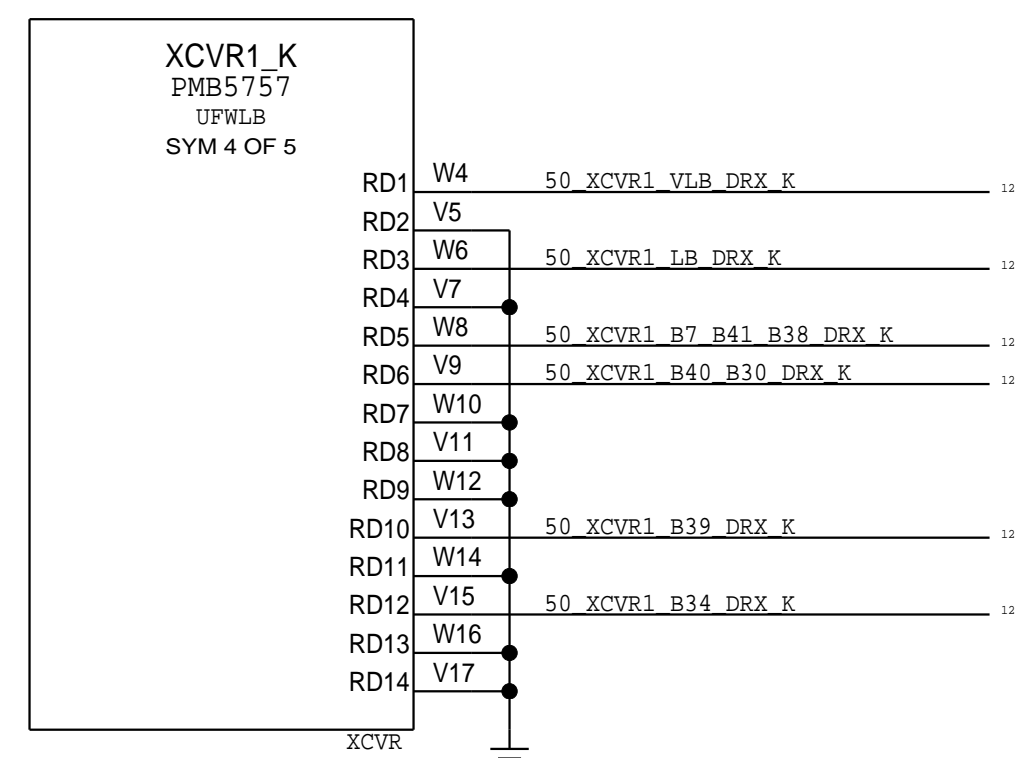
XCVR0 DRX



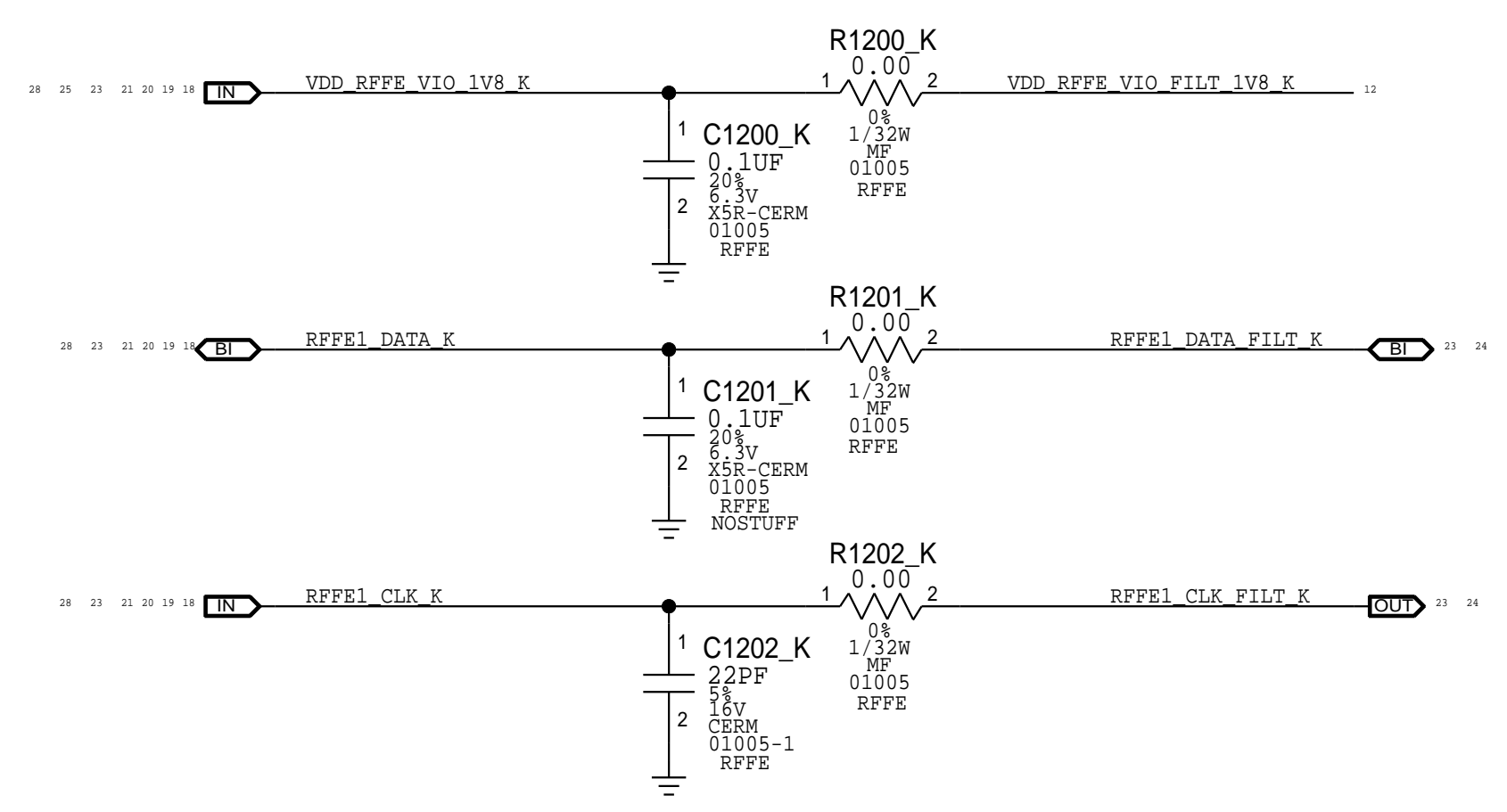
DRX DSM



XCVR1 DRX



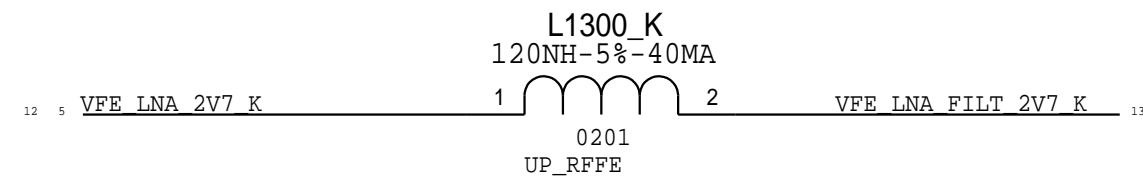
RFFE FILTERING



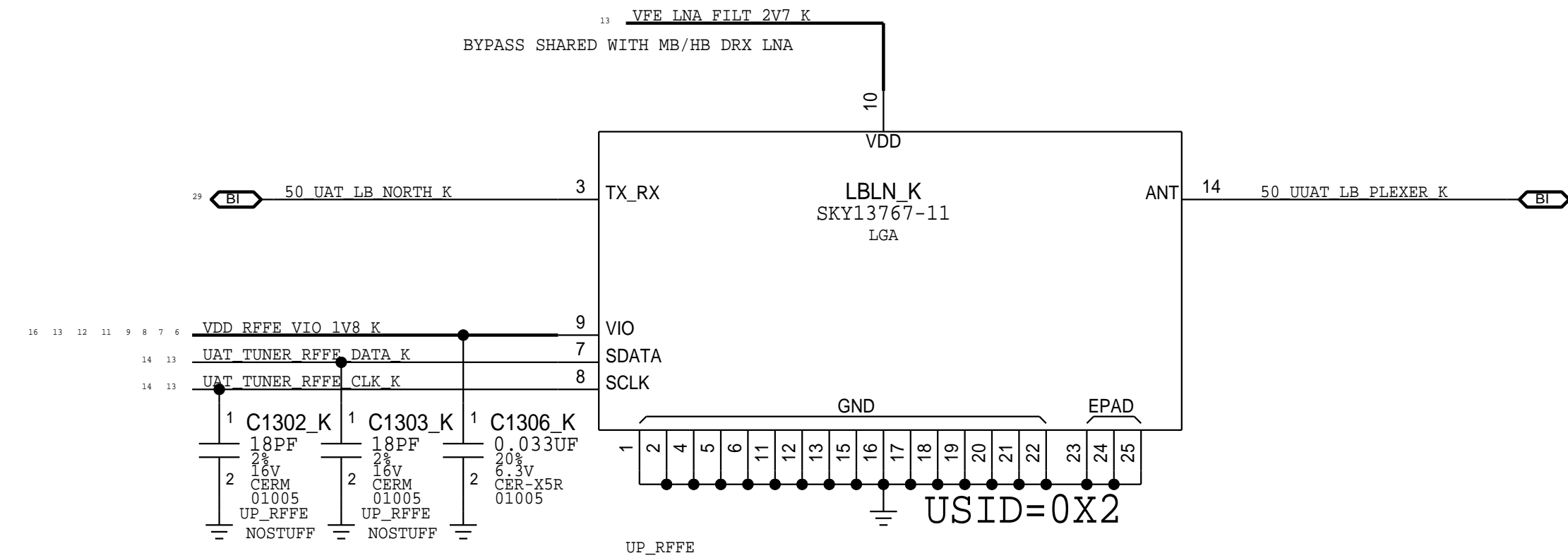
LB: USID=0X9
MB-HB: USID=0XA

PAGE TITLE DIVERSITY RECEIVE ASM'S		
	DRAWING NUMBER 051-02247	SIZE D
	REVISION 7.0.0	BRANCH evt-1
NOTICE OF PROPRIETARY PROPERTY: THE INFORMATION CONTAINED HEREIN IS THE PROPRIETARY PROPERTY OF APPLE INC. THE POSSESSOR AGREES TO THE FOLLOWING: I TO MAINTAIN THIS DOCUMENT IN CONFIDENCE II NOT TO REPRODUCE OR COPY IT III NOT TO REVEAL OR PUBLISH IT IN WHOLE OR PART IV ALL RIGHTS RESERVED		
PAGE 12 OF 17		SHEET 24 OF 34

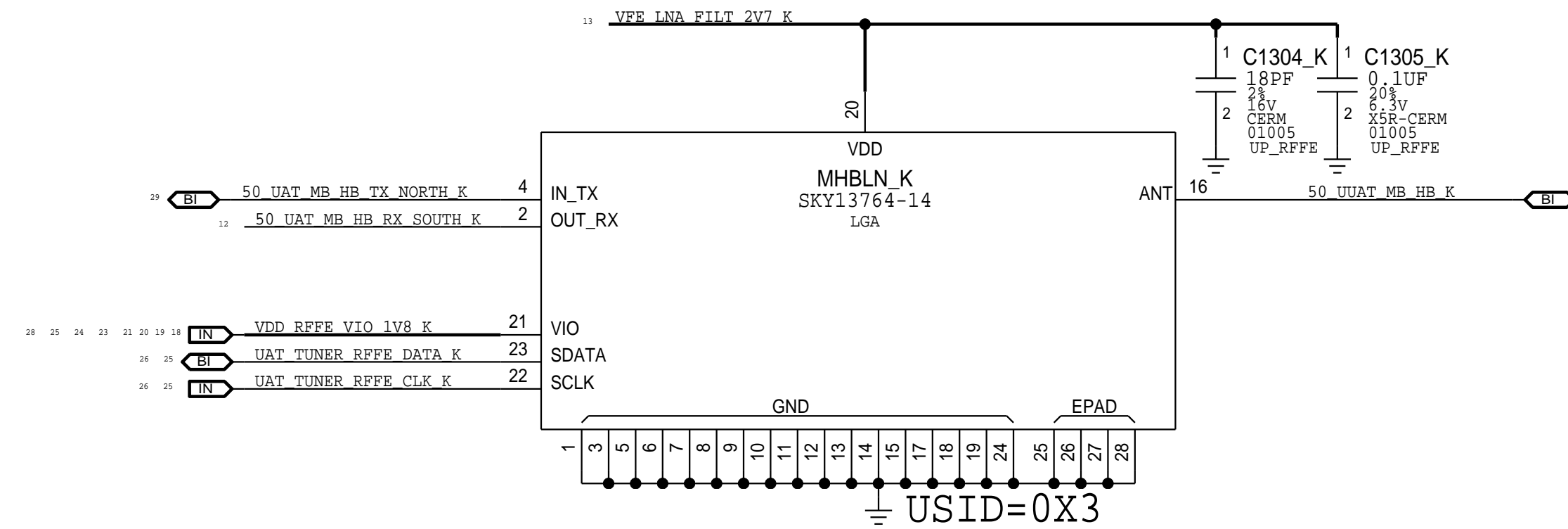
DIVERSITY RECEIVE LNAs



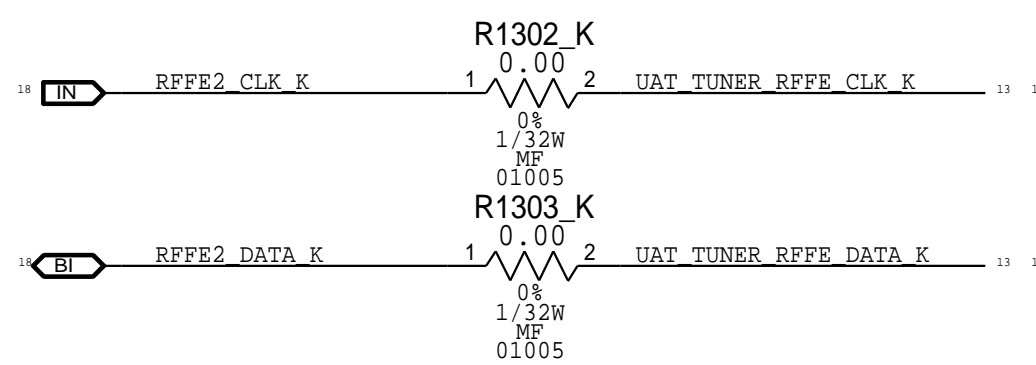
LB DRX LNA



MB/HB DRX LNA



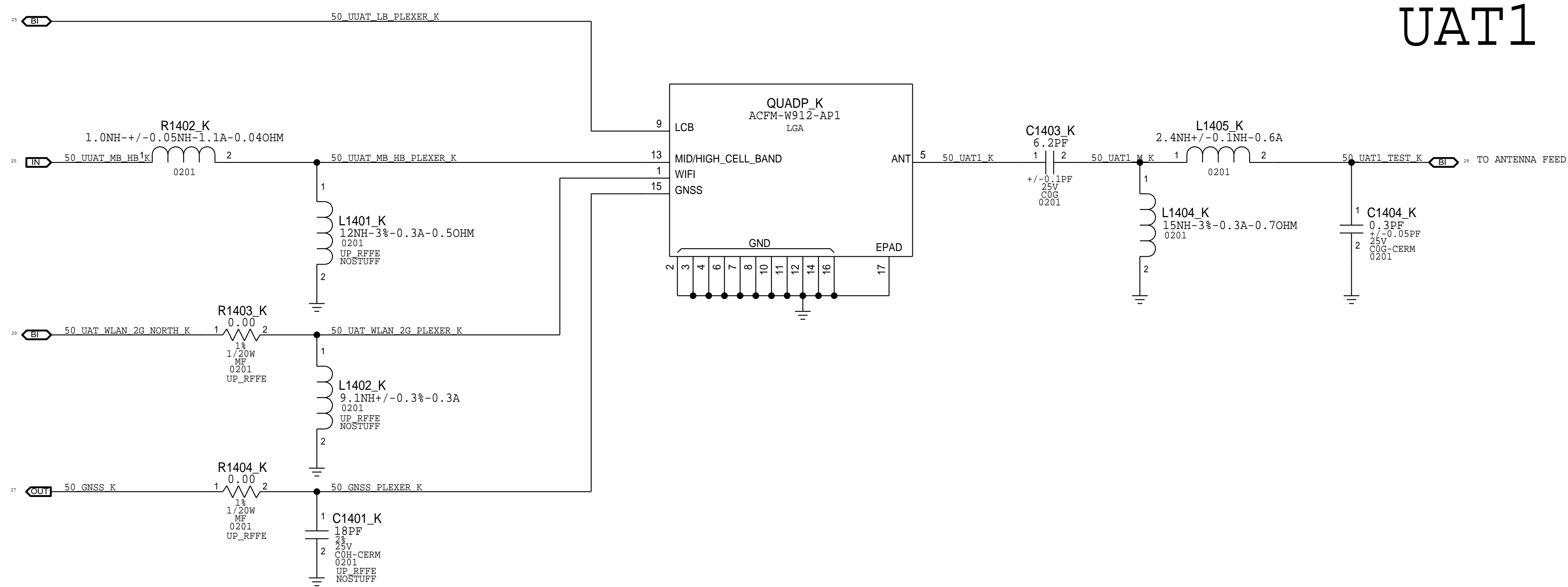
RFFE2 IMPEDANCE MATCHING



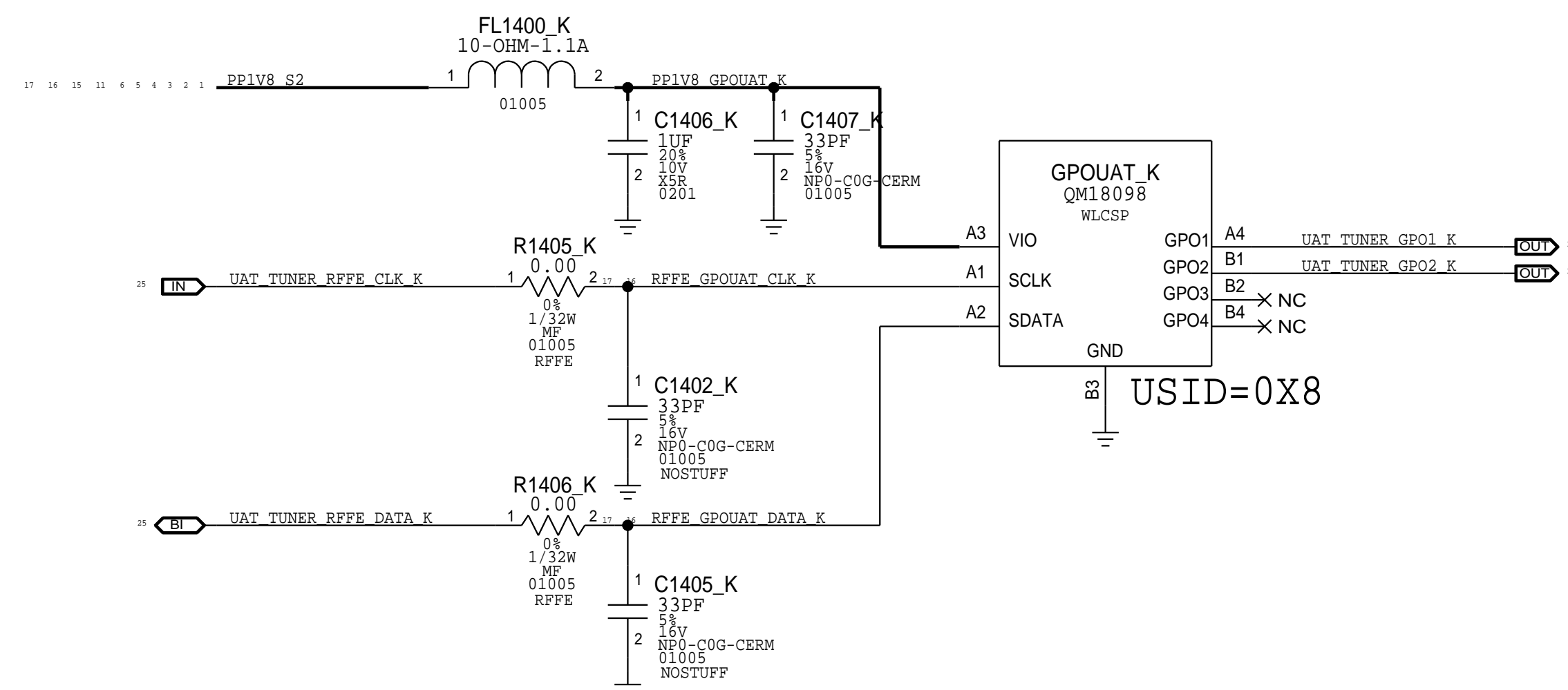
CONFIDENTIAL AND PROPRIETARY APPLE SYSTEM DESIGN. FOR REFERENCE PURPOSE ONLY - NOT A CHANGE REQUEST

PAGE TITLE DIVERSITY RECEIVE LNA'S		
	DRAWING NUMBER 051-02247	SIZE D
	REVISION 7.0.0	BRANCH evt-1
NOTICE OF PROPRIETARY PROPERTY: THE INFORMATION CONTAINED HEREIN IS THE PROPRIETARY PROPERTY OF APPLE INC. THE POSSESSOR AGREES TO THE FOLLOWING: I TO MAINTAIN THIS DOCUMENT IN CONFIDENCE II NOT TO REPRODUCE OR COPY IT III NOT TO REVEAL OR PUBLISH IT IN WHOLE OR PART IV ALL RIGHTS RESERVED		PAGE 13 OF 17 SHEET 25 OF 34

UPPER ANTENNA FEEDS

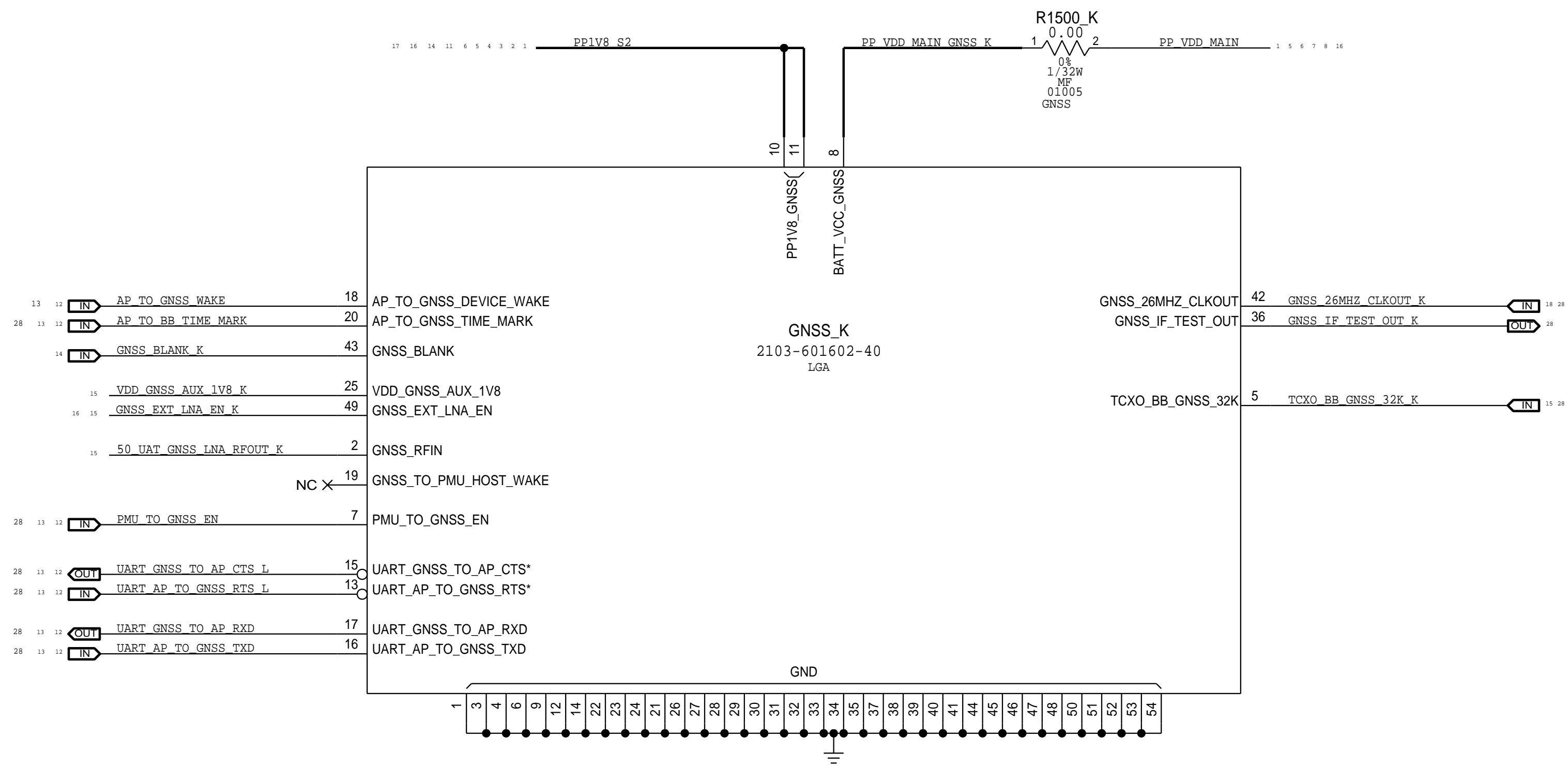
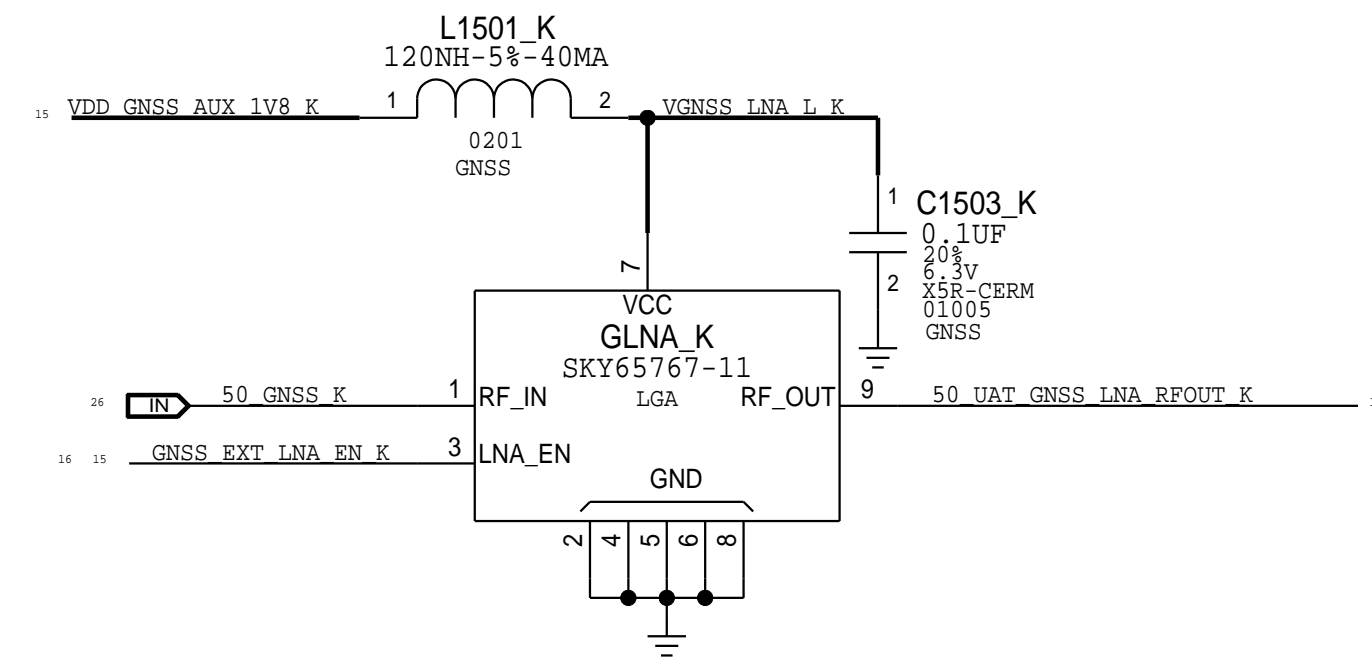


UAT TUNER GPO



PAGE TITLE		
UPPER ANTENNA FEEDS		
	DRAWING NUMBER	051-02247
	REVISION	7.0.0
NOTICE OF PROPRIETARY PROPERTY: THE INFORMATION CONTAINED HEREIN IS THE PROPRIETARY PROPERTY OF APPLE INC. THE POSSESSOR AGREES TO THE FOLLOWING: I TO MAINTAIN THIS DOCUMENT IN CONFIDENCE II NOT TO REPRODUCE OR COPY IT III NOT TO REVEAL OR PUBLISH IT IN WHOLE OR PART IV ALL RIGHTS RESERVED		
BRANCH	evt-1	
PAGE	14 OF 17	
SHEET	26 OF 34	

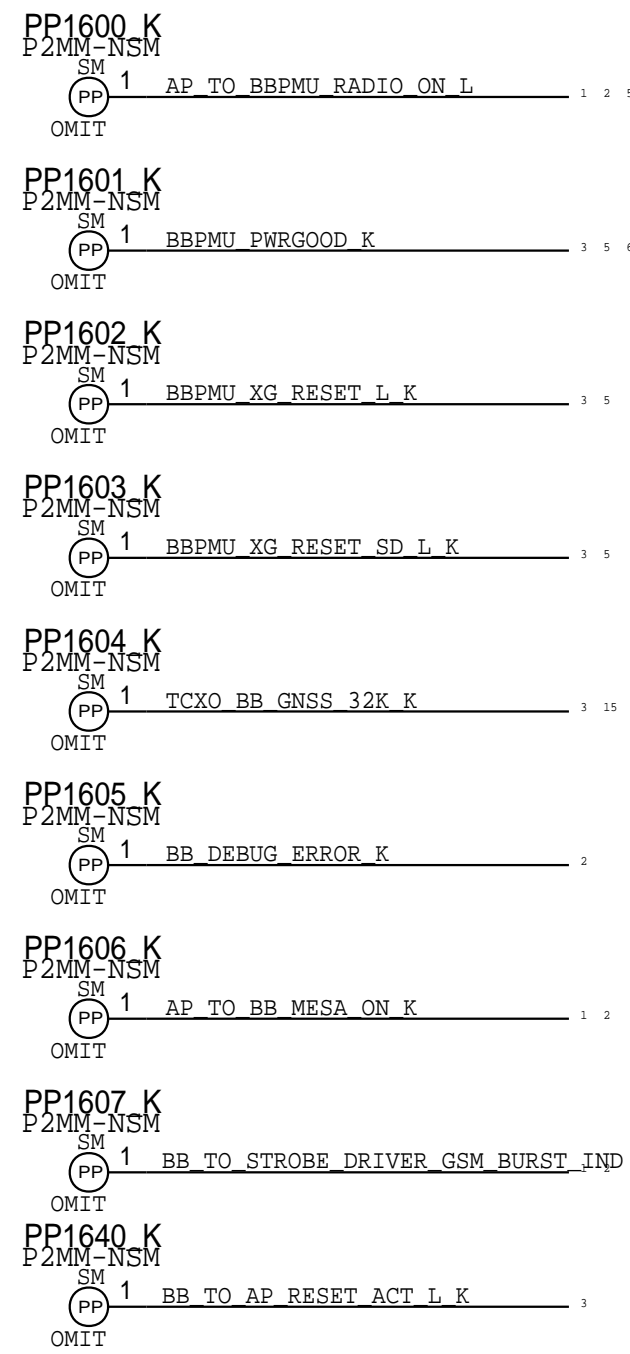
GNSS LNA + RECEIVER



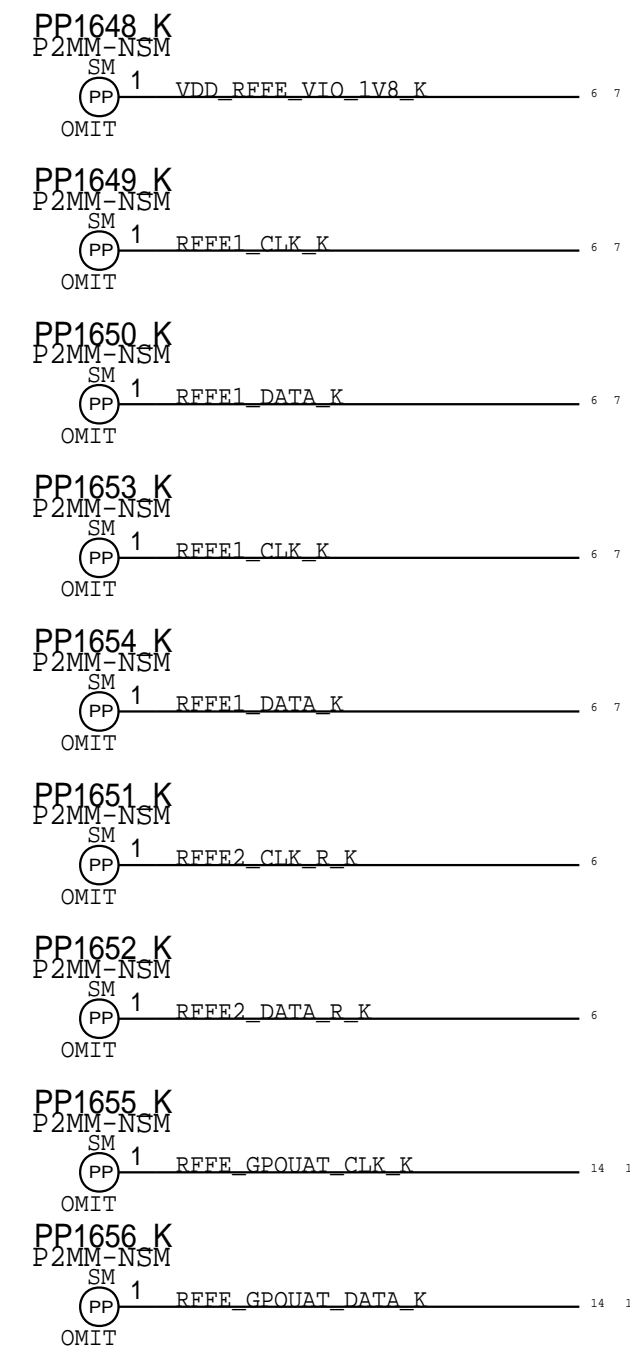
PAGE TITLE		
GNSS		
	DRAWING NUMBER	051-02247
	REVISION	7.0.0
NOTICE OF PROPRIETARY PROPERTY: THE INFORMATION CONTAINED HEREIN IS THE PROPRIETARY PROPERTY OF APPLE INC. THE POSSESSOR AGREES TO THE FOLLOWING: I TO MAINTAIN THIS DOCUMENT IN CONFIDENCE II NOT TO REPRODUCE OR COPY IT III NOT TO REVEAL OR PUBLISH IT IN WHOLE OR PART IV ALL RIGHTS RESERVED	BRANCH	evt-1
	PAGE	15 OF 17
	SHEET	27 OF 34
	SIZE	D

MLB TEST POINTS

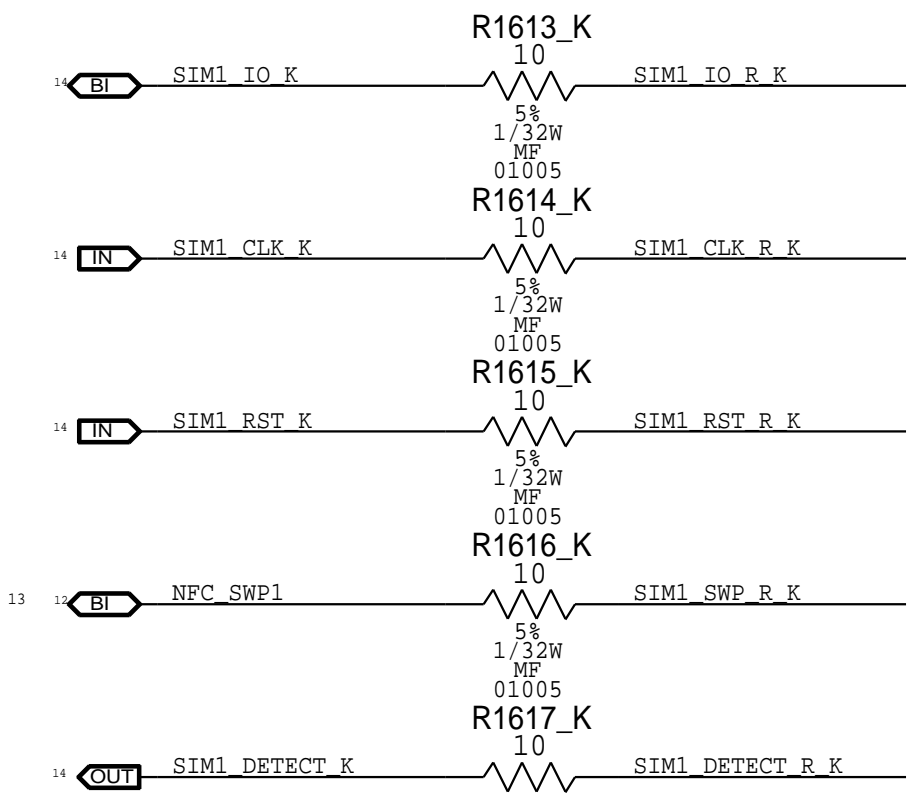
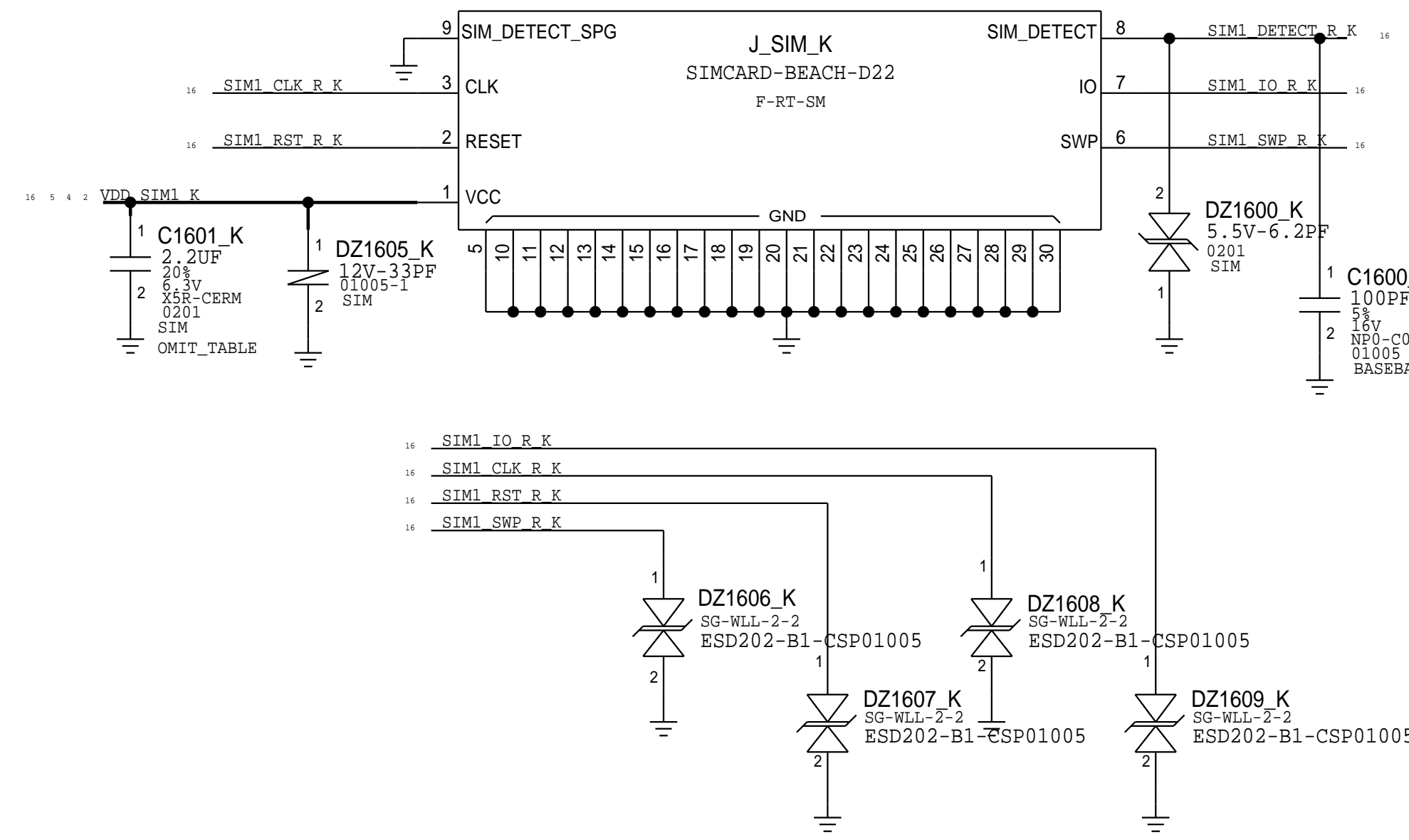
BASEBAND



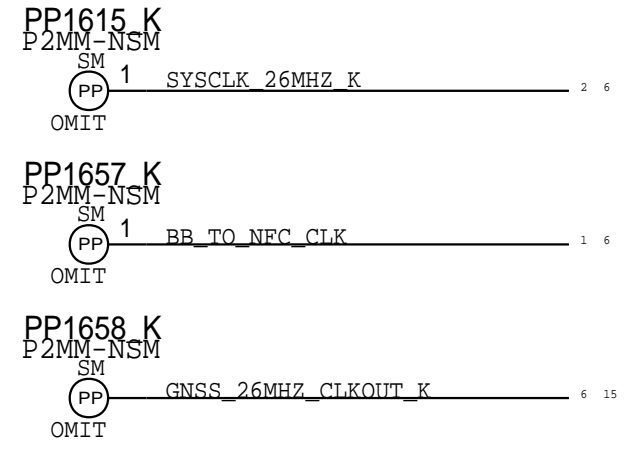
RFFE



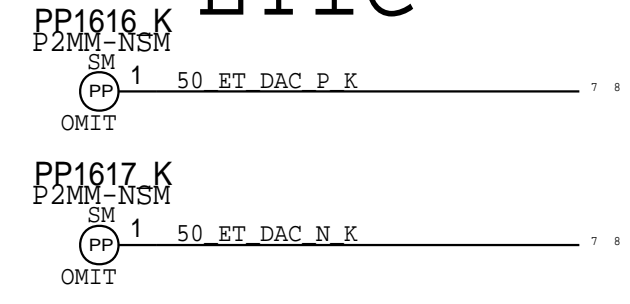
SIM CARD CONNECTOR



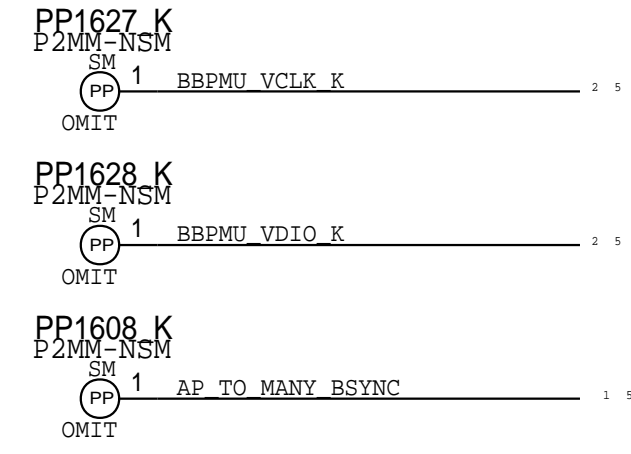
XCVR



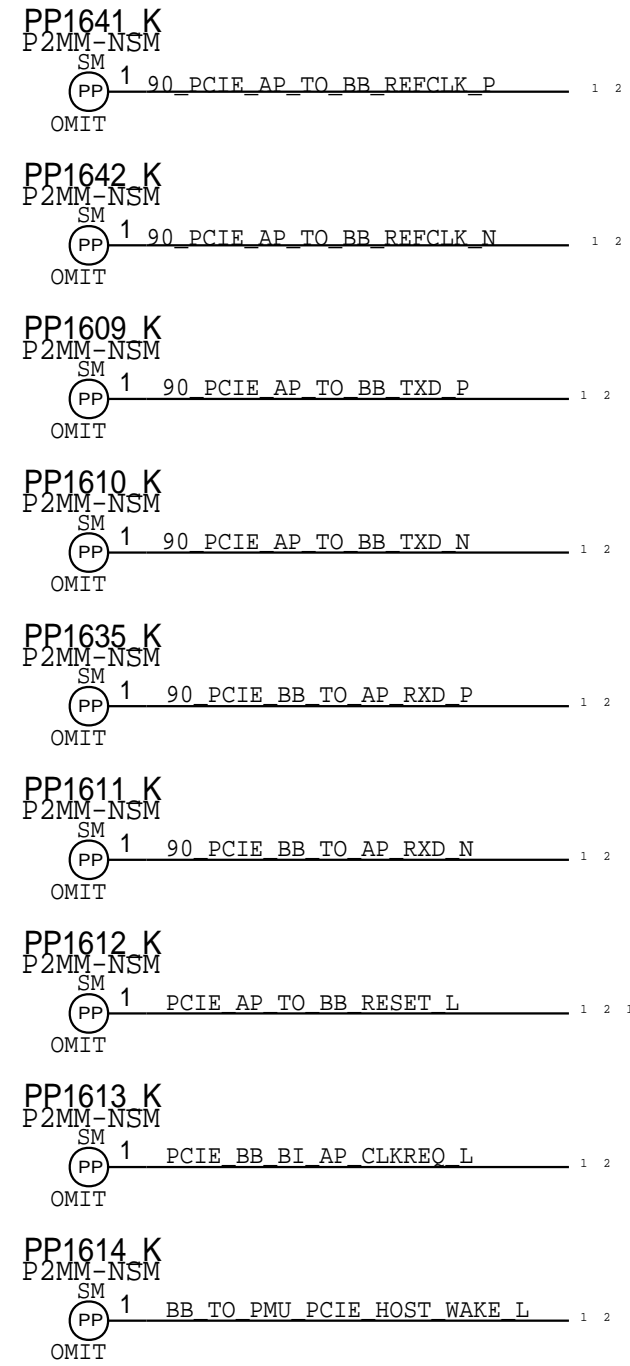
ETIC



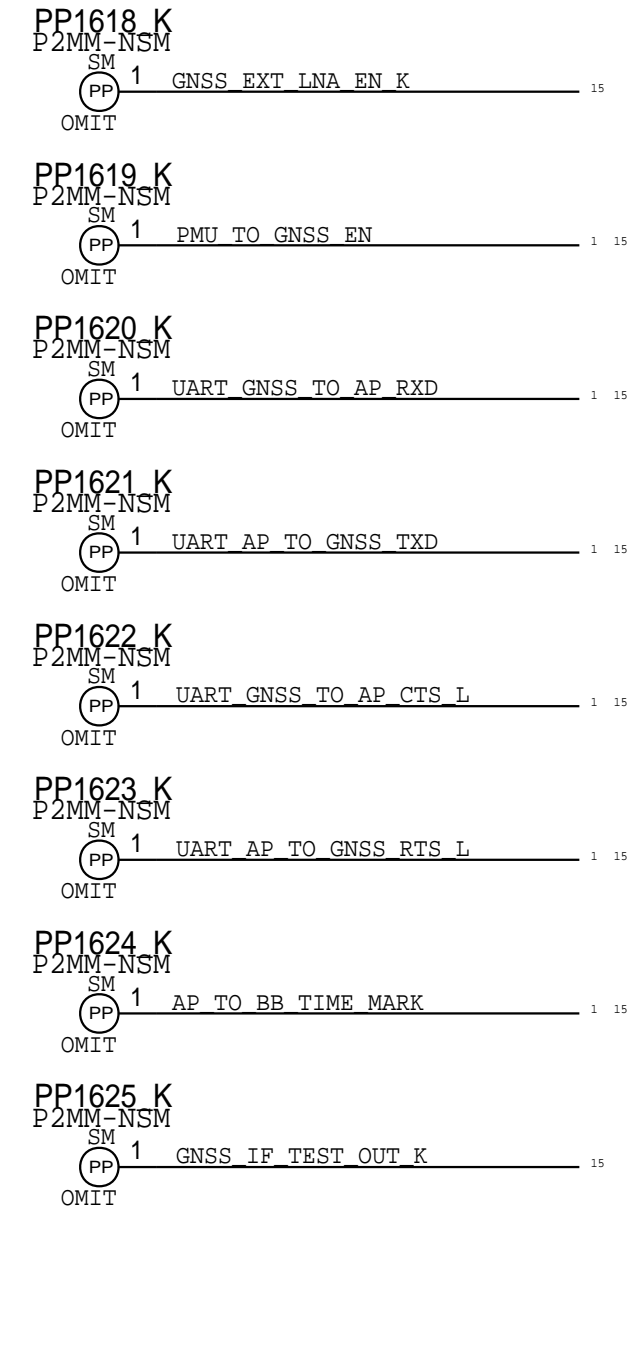
BBPMU



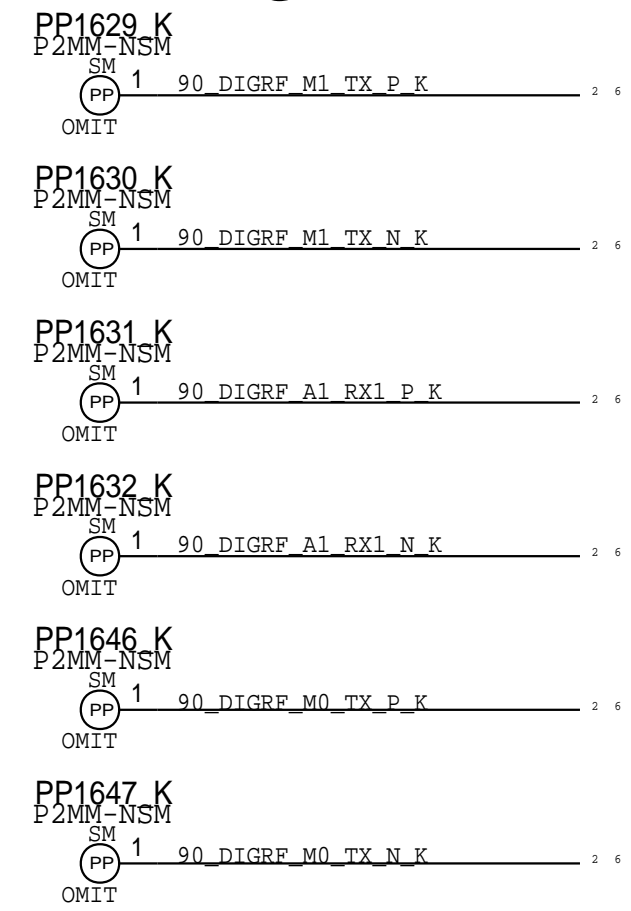
PCIE



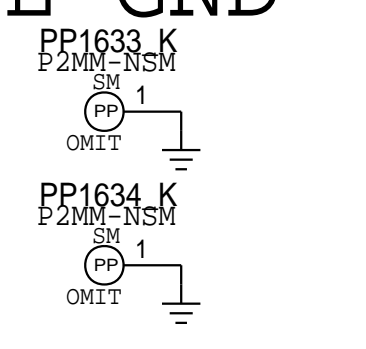
GNSS



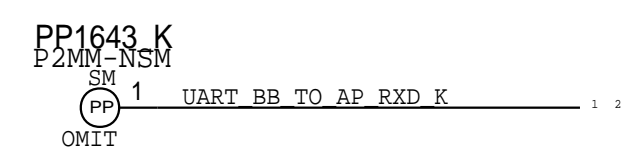
DIGRF



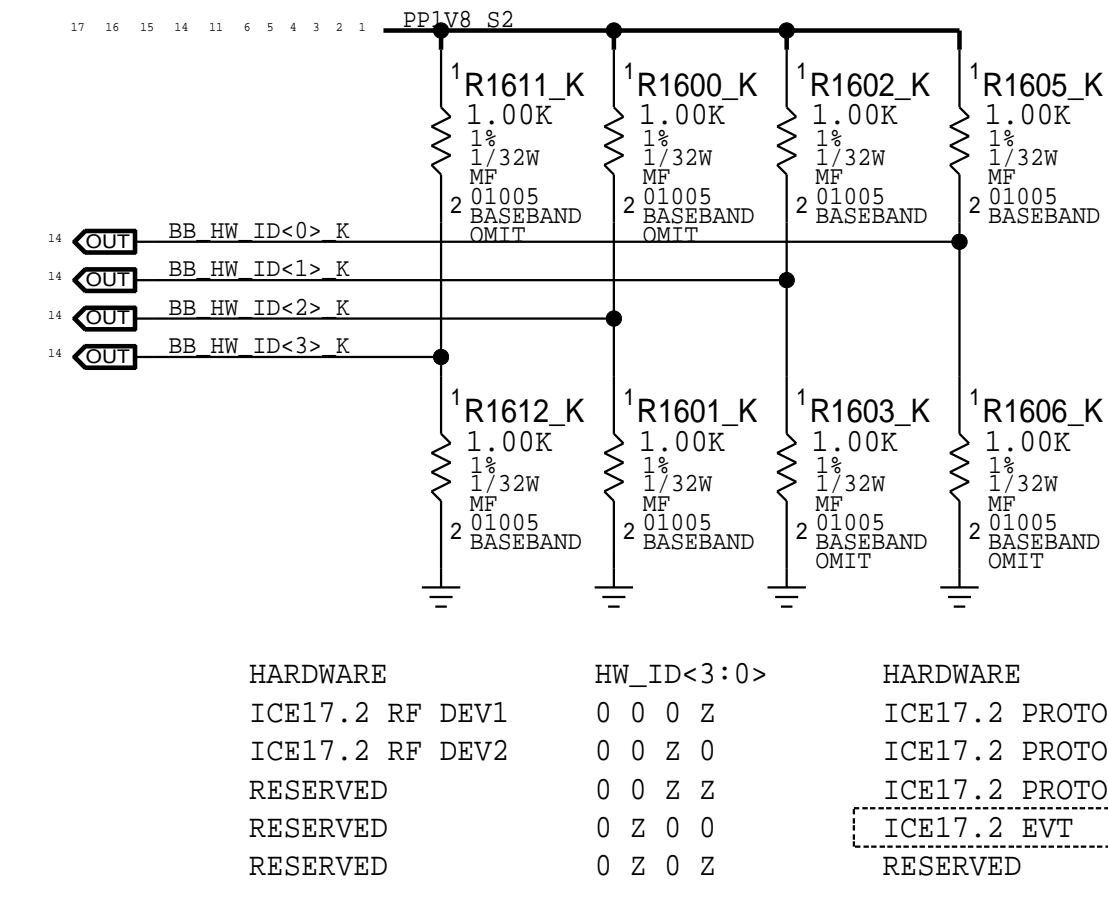
PCIE GND



BB UART

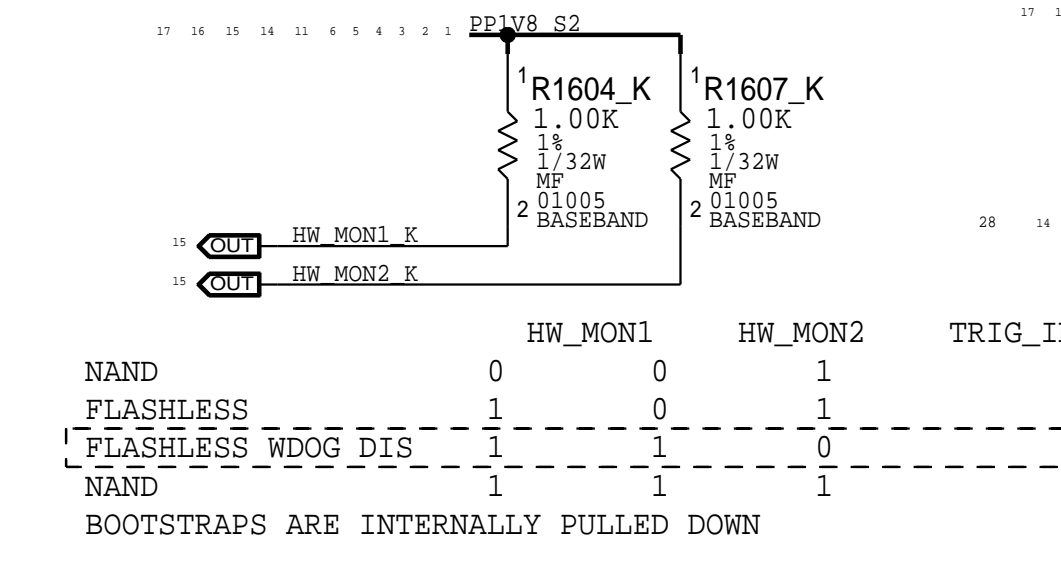


HARDWARE ID



HARDWARE	HW_ID<3:0>	HARDWARE	HW_ID<3:0>
ICEL7.2 RF DEV1	0 0 0 Z	ICEL7.2 PROTO1	0 0 0 0
ICEL7.2 RF DEV2	0 0 Z 0	ICEL7.2 PROTO2	0 0 0 1
RESERVED	0 0 Z Z	ICEL7.2 PROTO3	0 0 1 0
RESERVED	0 Z 0 0	ICEL7.2 EVT	0 0 1 1
RESERVED	0 Z 0 Z	RESERVED	0 1 0 0

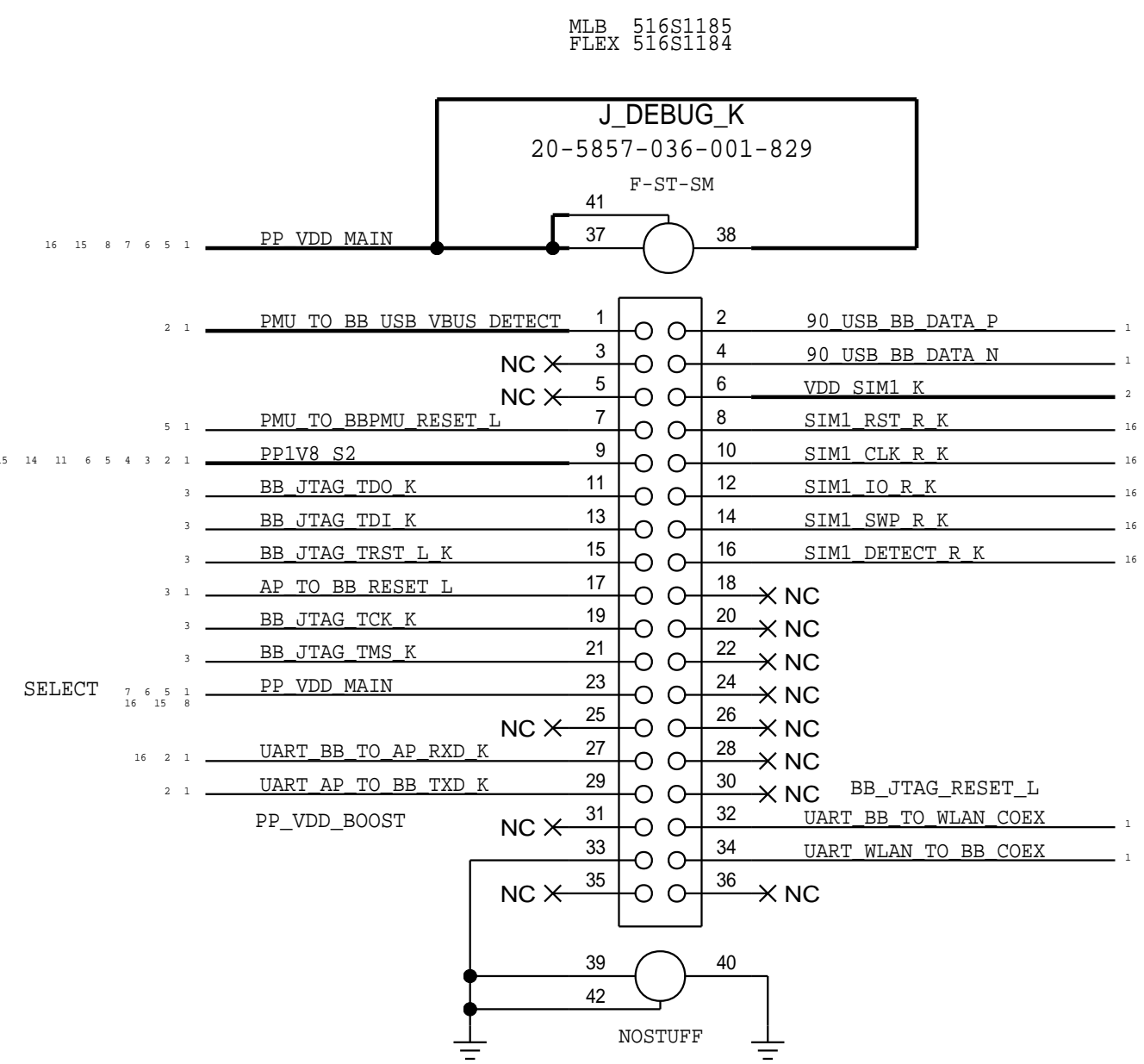
BOOTCFG



	HW_MON1	HW_MON2	TRIG_IN
NAND	0	0	1
FLASHLESS	1	0	1
FLASHLESS WDOG DIS	1	0	1
NAND	1	1	1

BOOTSTRAPS ARE INTERNALLY PULLED DOWN

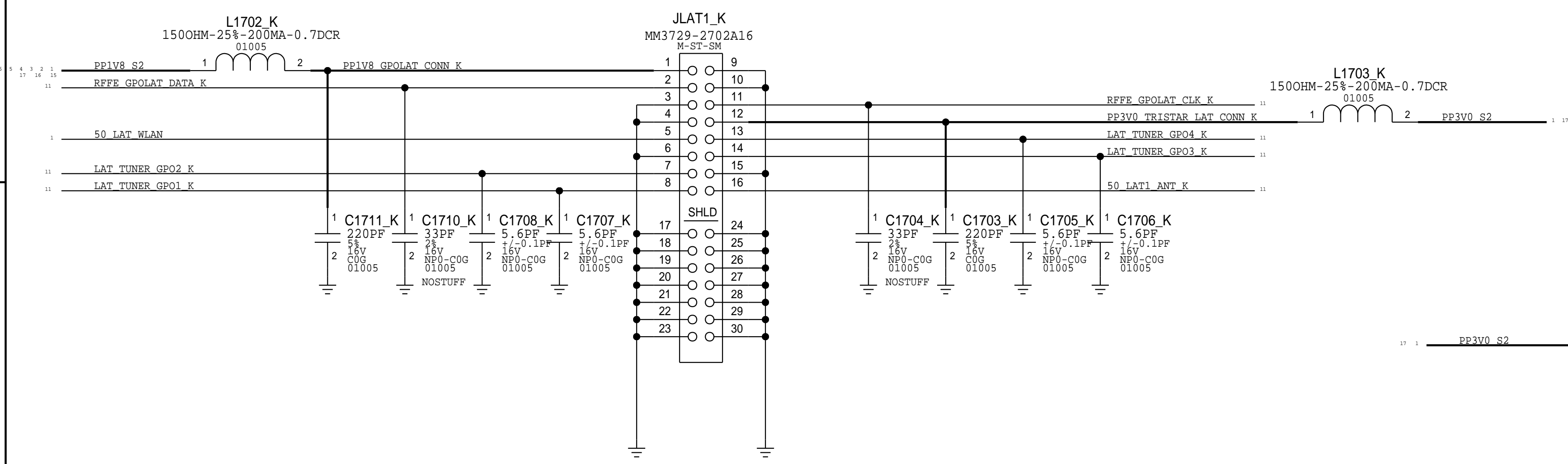
DEBUG CONNECTOR



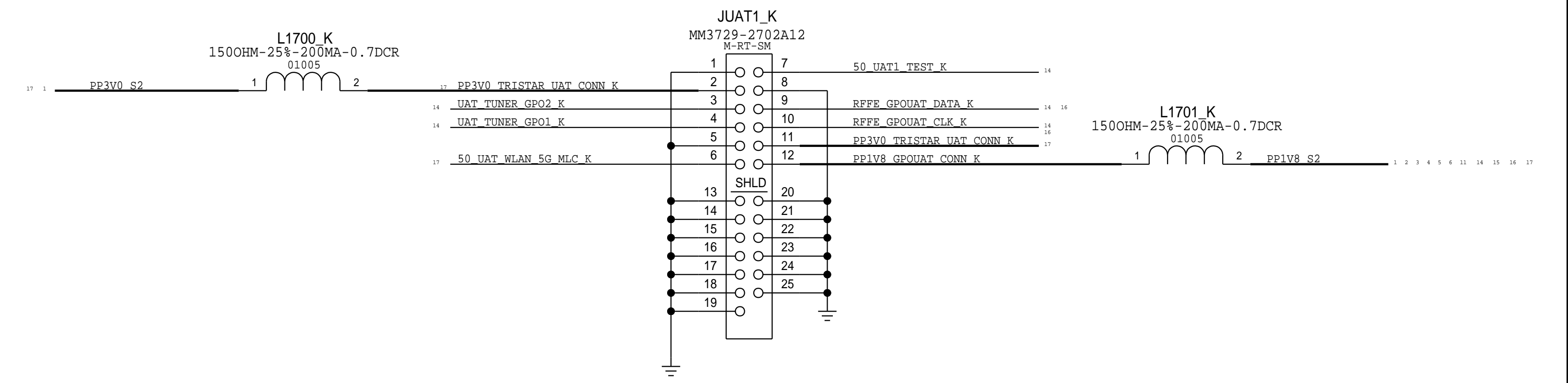
TEST POINTS & SIM		
	DRAWING NUMBER	051-02247
	REVISION	7.0.0
NOTICE OF PROPRIETARY PROPERTY: THE INFORMATION CONTAINED HEREIN IS THE PROPRIETARY PROPERTY OF APPLE INC. THE POSSESSOR AGREES TO THE FOLLOWING: I TO MAINTAIN THIS DOCUMENT IN CONFIDENCE I NOT TO REPRODUCE OR COPY IT I NOT TO REVEAL OR PUBLISH IT IN WHOLE OR PART I ALL RIGHTS RESERVED	BRANCH	evt-1
	PAGE	16 OF 17
	SHEET	28 OF 34

RF CONNECTORS AND METROCIRC

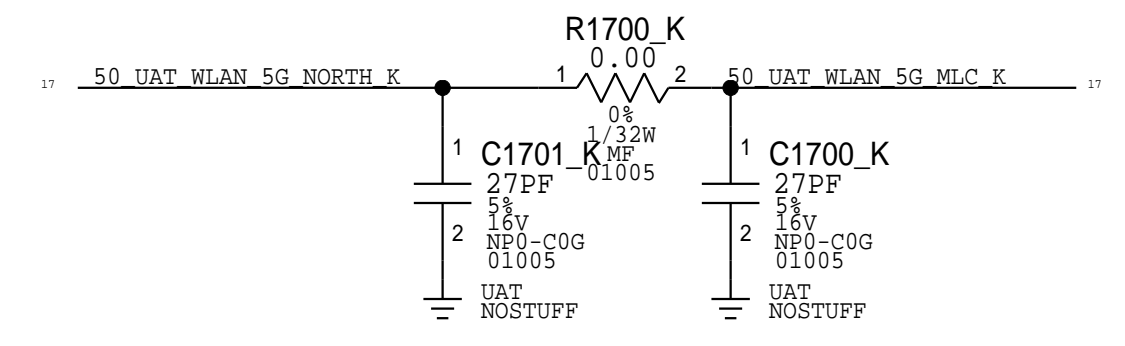
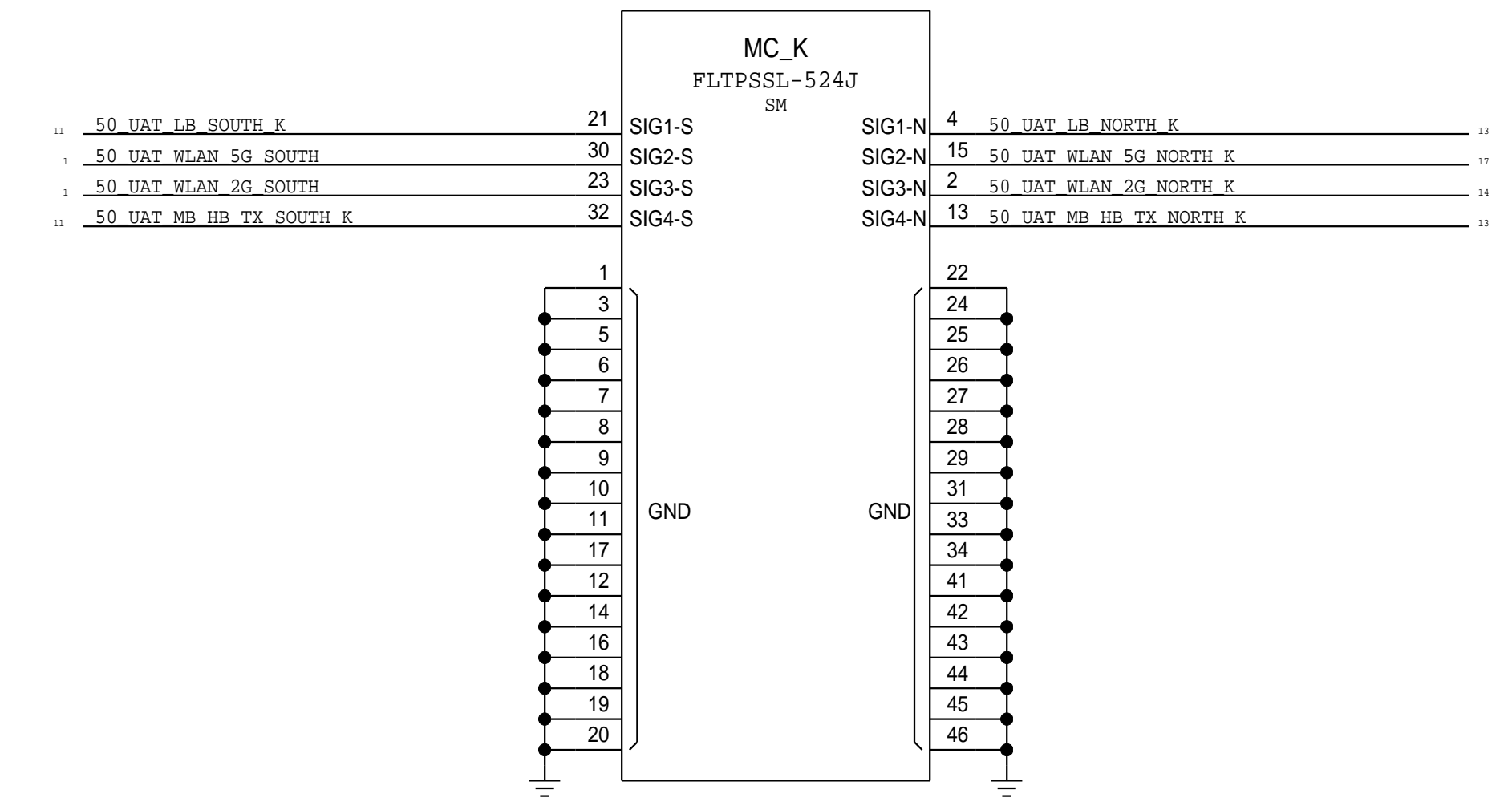
LAT MLC



UAT1 MLC



4-IN-1 METROCIRC CABLE



8

7

6

5

4

3

2

1

1. ALL RESISTANCE VALUES ARE IN OHMS, 0.1 WATT +/- 5%.
 2. ALL CAPACITANCE VALUES ARE IN MICROFARADS.
 3. ALL CRYSTALS & OSCILLATOR VALUES ARE IN HERTZ.

REV	ECN	DESCRIPTION OF REVISION	CK APPD	DATE
7	0008448938	ENGINEERING RELEASED		2017-04-11

D22/D221 WIFI_MLB (GUINNESS)

APR 03, 2017

PDF PAGE	CSA PAGE	CONTENTS
2	76	GUINNESS
3	77	WIFI FRONT-END

POWER

12 IN PP_VDD_MAIN _____

12 IN PPIV8_S2 _____

CLOCKS

12 IN PMU_TO_WLAN_CLK32K _____

12 IN WLAN_TO_AP_TIME_SYNC _____

CONTROL

12 IN PMU_TO_WLAN_REG_ON _____

12 IN PMU_TO_BT_REG_ON _____

12 OUT BT_TO_PMU_HOST_WAKE _____

12 IN AP_TO_BT_WAKE _____

WLAN PCIE

12 IN 90_PCIE_AP_TO_WLAN_REFCLK_P _____

12 IN 90_PCIE_AP_TO_WLAN_REFCLK_N _____

12 IN 90_PCIE_AP_TO_WLAN_TXD_P _____

12 IN 90_PCIE_AP_TO_WLAN_TXD_N _____

12 IN 90_PCIE_WLAN_TO_AP_RXD_P _____

12 OUT 90_PCIE_WLAN_TO_AP_RXD_N _____

12 IN PCIE_AP_TO_WLAN_RESET_L _____

2 TO PCIE_WLAN_BI_AP_CLKREQ_L _____

12 OUT WLAN_TO_PMU_HOST_WAKE _____

12 IN AP_TO_WLAN_DEVICE_WAKE _____

WLAN UART

12 OUT UART_WLAN_TO_AP_RXD _____

12 IN UART_AP_TO_WLAN_TXD _____

12 OUT UART_WLAN_TO_AP_CTS_L _____

12 IN UART_AP_TO_WLAN_RTS_L _____

BLUETOOTH UART

12 IN UART_AP_TO_BT_TXD _____

12 OUT UART_BT_TO_AP_RXD _____

12 IN UART_AP_TO_BT_RTS_L _____

12 OUT UART_BT_TO_AP_CTS_L _____

AOP

12 IN AOP_TO_WLAN_CONTEXT_A _____

12 IN AOP_TO_WLAN_CONTEXT_B _____

COEX

12 IN UART_BB_TO_WLAN_COEX _____

12 OUT UART_WLAN_TO_BB_COEX _____


ANTENNA

3 TO 50_UAT_WLAN_2G_SOUTH _____

3 TO 50_UAT_WLAN_5G_SOUTH _____

3 TO 50_LAT_WLAN _____

SymbolPorts

DRAWING TITLE		DRAWING NUMBER	SIZE
SCH, MLB, BOT, X893		051-02247	D
 Apple Inc.		REVISION	7.0.0
		BRANCH	evt-1
NOTICE OF PROPRIETARY PROPERTY: THE INFORMATION CONTAINED HEREIN IS THE PROPRIETARY PROPERTY OF APPLE INC. THE POSSESSOR AGREES TO THE FOLLOWING: I TO MAINTAIN THIS DOCUMENT IN CONFIDENCE II NOT TO REPRODUCE OR COPY IT III NOT TO REVEAL OR PUBLISH IT IN WHOLE OR PART IV ALL RIGHTS RESERVED		PAGE	1 OF 5
		SHEET	30 OF 34

CONFIDENTIAL AND PROPRIETARY APPLE SYSTEM DESIGN. FOR REFERENCE PURPOSE ONLY - NOT A CHANGE REQUEST

8

7

6

5

4

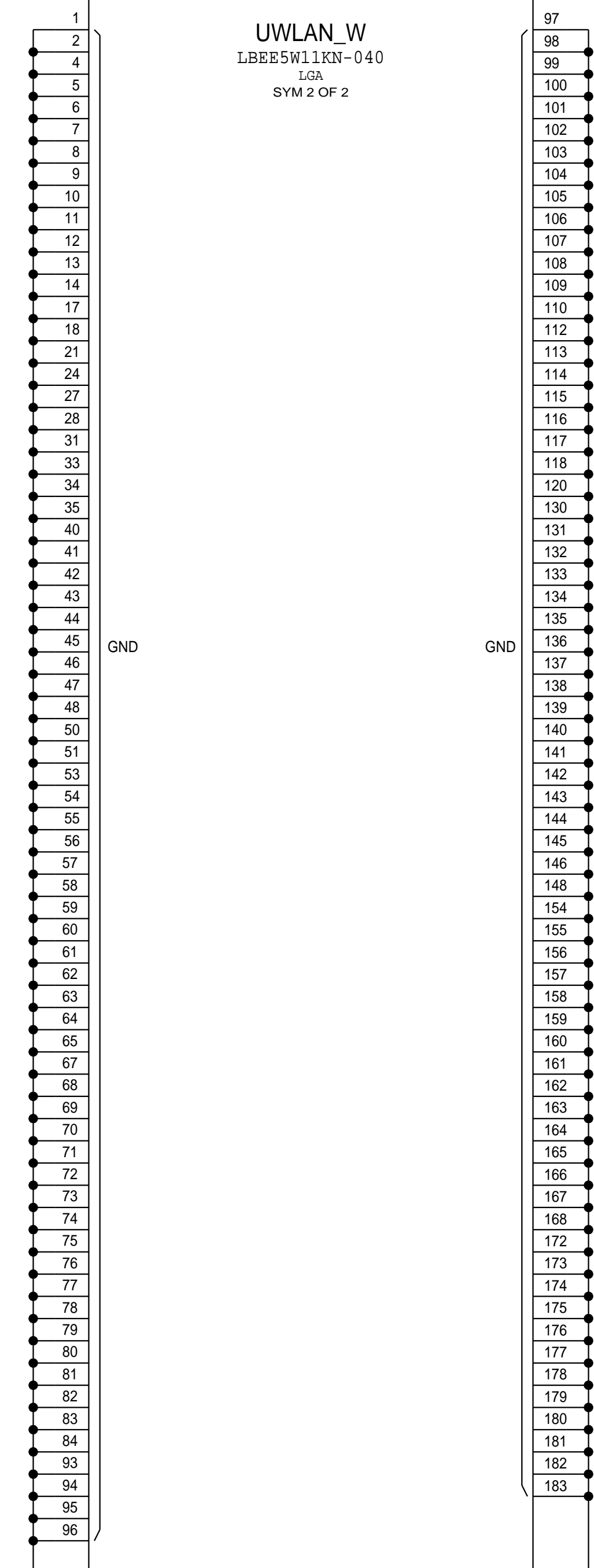
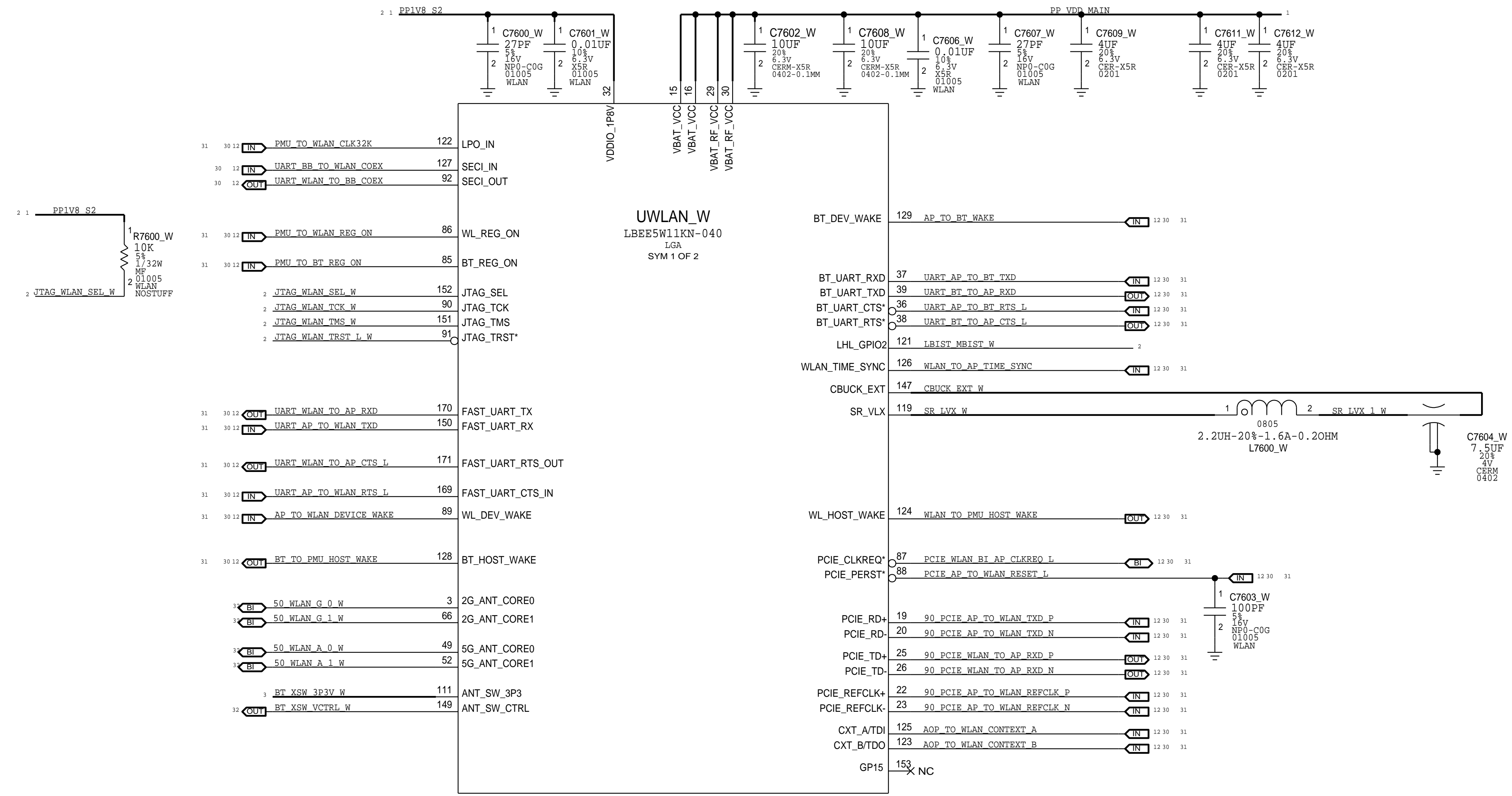
3

2

1

PDF Watermark Remover DEMO : Purchase from www.PDFWatermarkRemover.com to remove the watermark

WIFI/BT



REF DES	VALUE	REF DES	VALUE	REF DES	VALUE	REF DES	VALUE
1	AOP TO WLAN CONTEXT A	1	PMU TO WLAN CLK32K	1	WLAN TO AP TIME SYNC	1	UART WLAN TO AP CTS L
1	AOP TO WLAN CONTEXT B	1	WLAN TO PMU HOST WAKE	1	90 PCIE AP TO WLAN REFCLK P	1	UART AP TO WLAN RTS L
1	UART WLAN TO AP RXD	1	90 PCIE AP TO WLAN REFCLK N	1	90 PCIE WLAN TO AP RXD N	1	
1	UART AP TO WLAN TXD	1	90 PCIE AP TO WLAN TXD P	1	LBIST MBIST W	1	
2	JTAG WLAN TCK W	1	90 PCIE AP TO WLAN TXD N	1	UART AP TO BT TXD	1	
2	JTAG WLAN TMS W	1	PCIE AP TO WLAN RESET L	1	UART BT TO AP RXD	1	
2	JTAG WLAN TRST L W	1	JTAG WLAN SEL W	1	UART AP TO BT RTS L	1	
1	AP TO WLAN DEVICE WAKE	1	PMU TO WLAN REG_ON	1	UART BT TO AP CTS L	1	
1	BT TO PMU HOST WAKE	1	PMU TO BT REG_ON	1	AP TO BT WAKE	1	

PART NUMBER	ALTERNATE FOR PART NUMBER	BOM OPTION	REF DES	COMMENTS:
998-10376	998-10147	BOM_TABLE_ALTS	UWLAN_W	USI ES6.1 WIFI MODULE

SYNC_MASTER=WIFI SYNC_DATE=01/30/2014

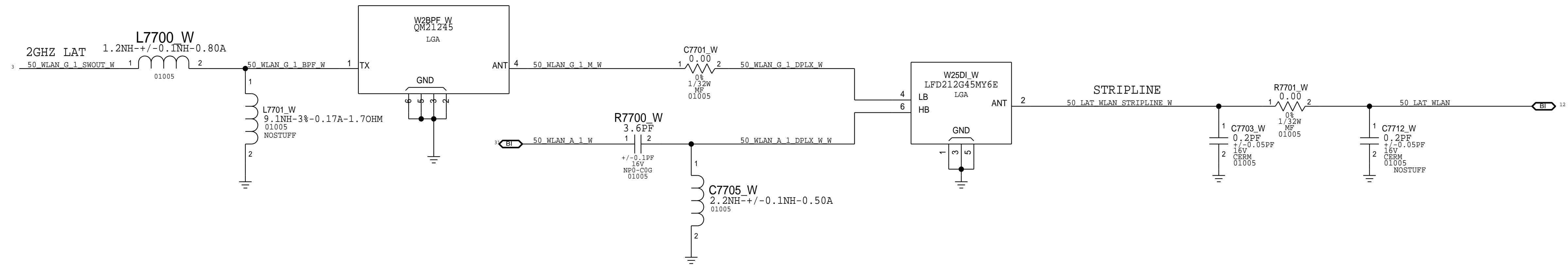
Guinness

Apple Inc.

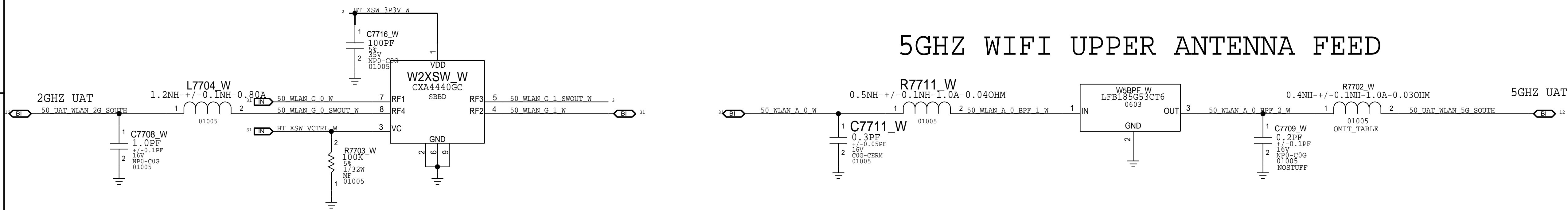
NOTICE OF PROPRIETARY PROPERTY:
 THE INFORMATION CONTAINED HEREIN IS THE PROPRIETARY PROPERTY OF APPLE INC. THE POSSESSOR AGREES TO THE FOLLOWING:
 I TO MAINTAIN THIS DOCUMENT IN CONFIDENCE
 I NOT TO REPRODUCE OR COPY IT
 I NOT TO REVEAL OR PUBLISH IT IN WHOLE OR PART
 I ALL RIGHTS RESERVED

DRAWING NUMBER	051-02247	SIZE	D
REVISION	7.0.0	BRANCH	evt-1
PAGE	4 OF 5	SHEET	31 OF 34

WIFI LOWER ANTENNA FEED



5GHZ WIFI UPPER ANTENNA FEED



PART#	QTY	DESCRIPTION	REFERENCE DESIGNATOR(S)	CRITICAL	BOM OPTION
117S0161	1	5GHZ CO BPF OUTPUT MATCH	R7702_W	CRITICAL	D221
152S00498	1	5GHZ CO BPF OUTPUT MATCH	R7702_W	CRITICAL	ROW
152S00498	1	5GHZ CO BPF OUTPUT MATCH	R7702_W	CRITICAL	JFN

PAGE TITLE		
WiFiANTFeeds		
	DRAWING NUMBER	051-02247
	REVISION	7.0.0
NOTICE OF PROPRIETARY PROPERTY: THE INFORMATION CONTAINED HEREIN IS THE PROPRIETARY PROPERTY OF APPLE INC. THE POSSESSOR AGREES TO THE FOLLOWING: I TO MAINTAIN THIS DOCUMENT IN CONFIDENCE II NOT TO REPRODUCE OR COPY IT III NOT TO REVEAL OR PUBLISH IT IN WHOLE OR PART IV ALL RIGHTS RESERVED	BRANCH	evt-1
	PAGE	5 OF 5
	SHEET	32 OF 34

8

7

6

5

4

3

2

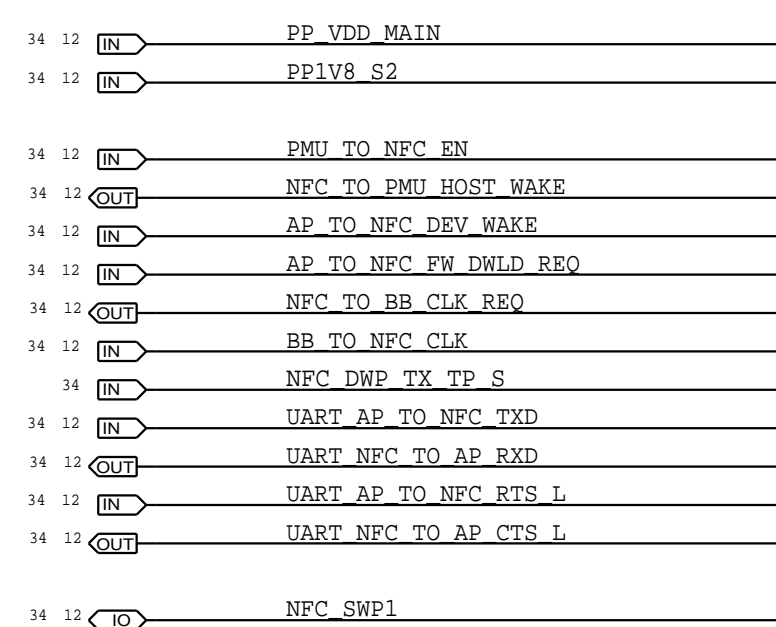
1

1. ALL RESISTANCE VALUES ARE IN OHMS, 0.1 WATT +/- 5%.
 2. ALL CAPACITANCE VALUES ARE IN MICROFARADS.
 3. ALL CRYSTALS & OSCILLATOR VALUES ARE IN HERTZ.

REV	ECN	DESCRIPTION OF REVISION	CK APPD	DATE
7	0008448938	ENGINEERING RELEASED		2017-04-11

D22 NFC_MLB

MARCH 22, 2017



PART#	QTY	DESCRIPTION	REFERENCE DESIGNATOR(S)	CRITICAL	BOM OPTION
138S00159	3	CAP,SOFT-TERM,2.2UF,6.3V,0201	C7500_S,C7502_S,C7505_S	CRITICAL	SOFT_CAP
138S0831	3	CAP,TYPICAL,2.2UF,6.3V,0201	C7500_S,C7502_S,C7505_S	CRITICAL	TYPICAL_CAP

page1

DRAWING TITLE		SCH,MLB,BOT,X893	
	DRAWING NUMBER	051-02247	SIZE
	REVISION	7.0.0	D
BRANCH		evt-1	
PAGE		1 OF 75	
SHEET		33 OF 34	
NOTICE OF PROPRIETARY PROPERTY: THE INFORMATION CONTAINED HEREIN IS THE PROPRIETARY PROPERTY OF APPLE INC. THE POSSESSOR AGREES TO THE FOLLOWING: I TO MAINTAIN THIS DOCUMENT IN CONFIDENCE II NOT TO REPRODUCE OR COPY IT III NOT TO REVEAL OR PUBLISH IT IN WHOLE OR PART IV ALL RIGHTS RESERVED			

8

7

6

5

4

3

2

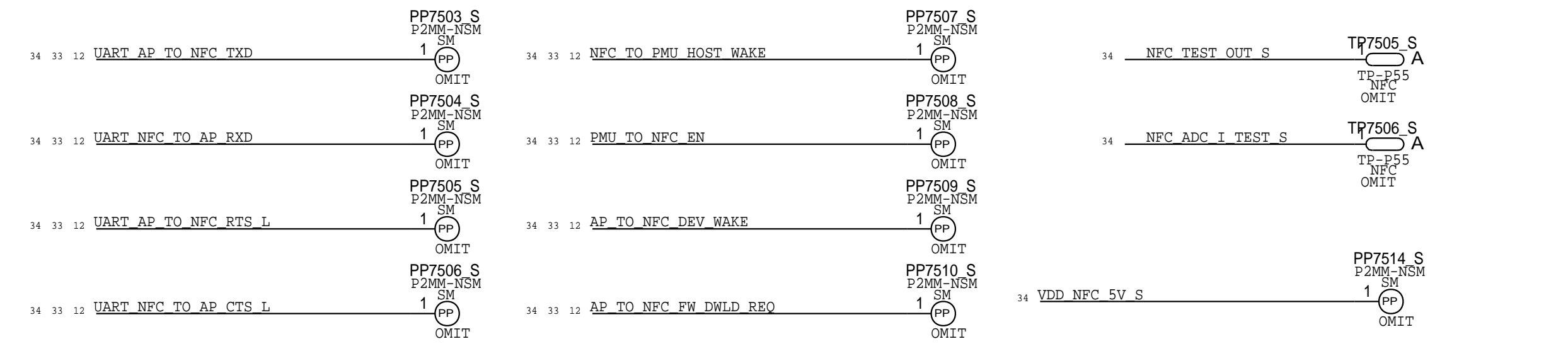
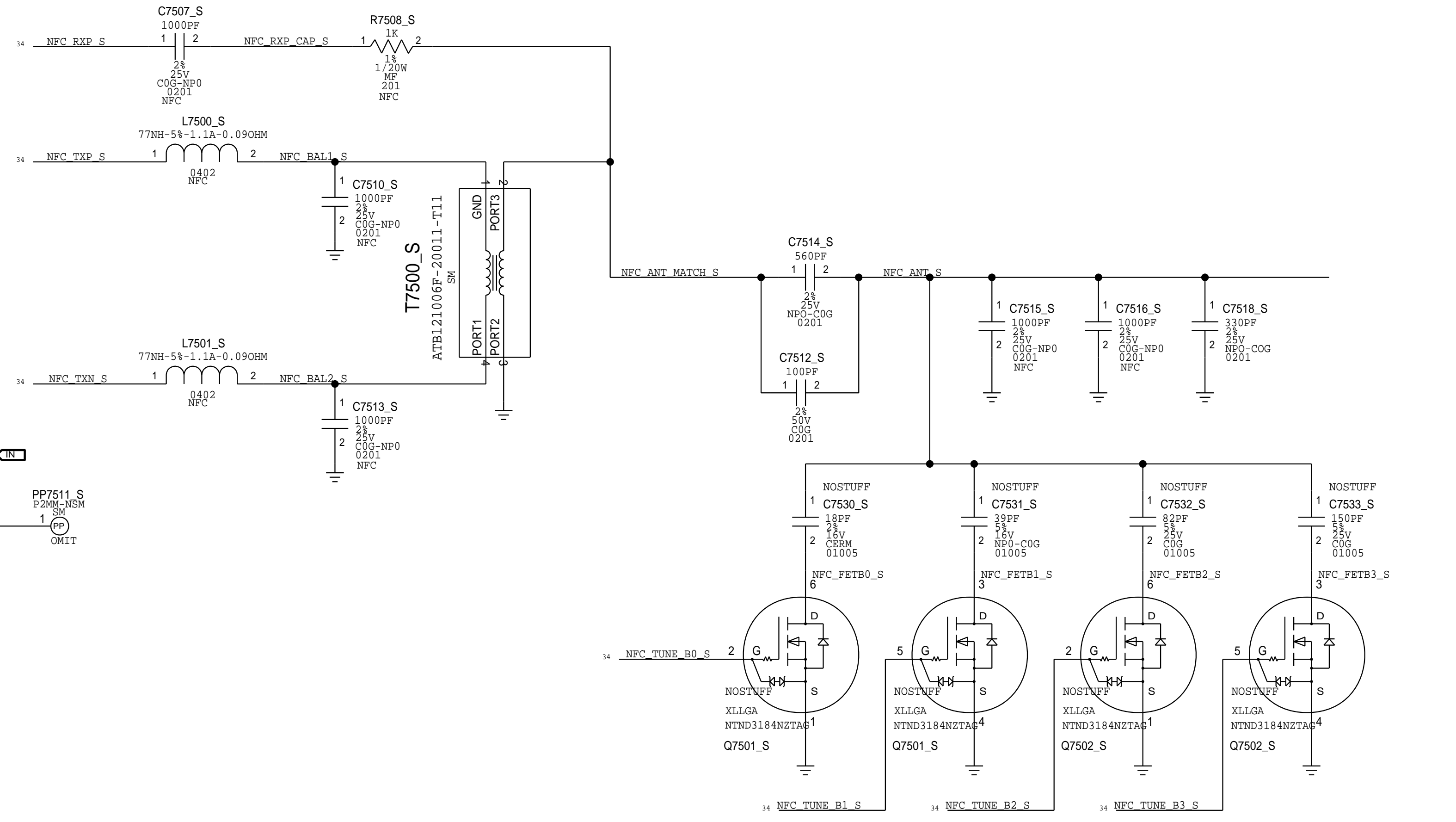
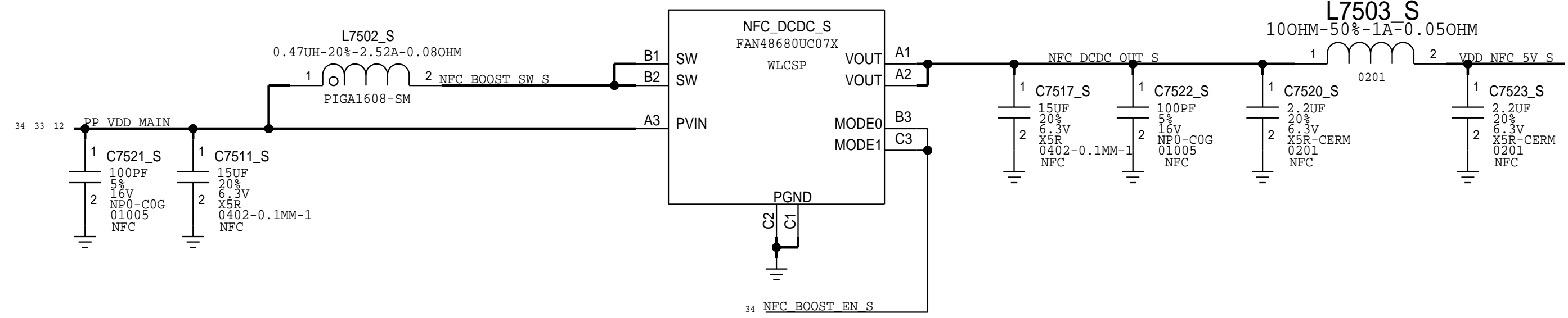
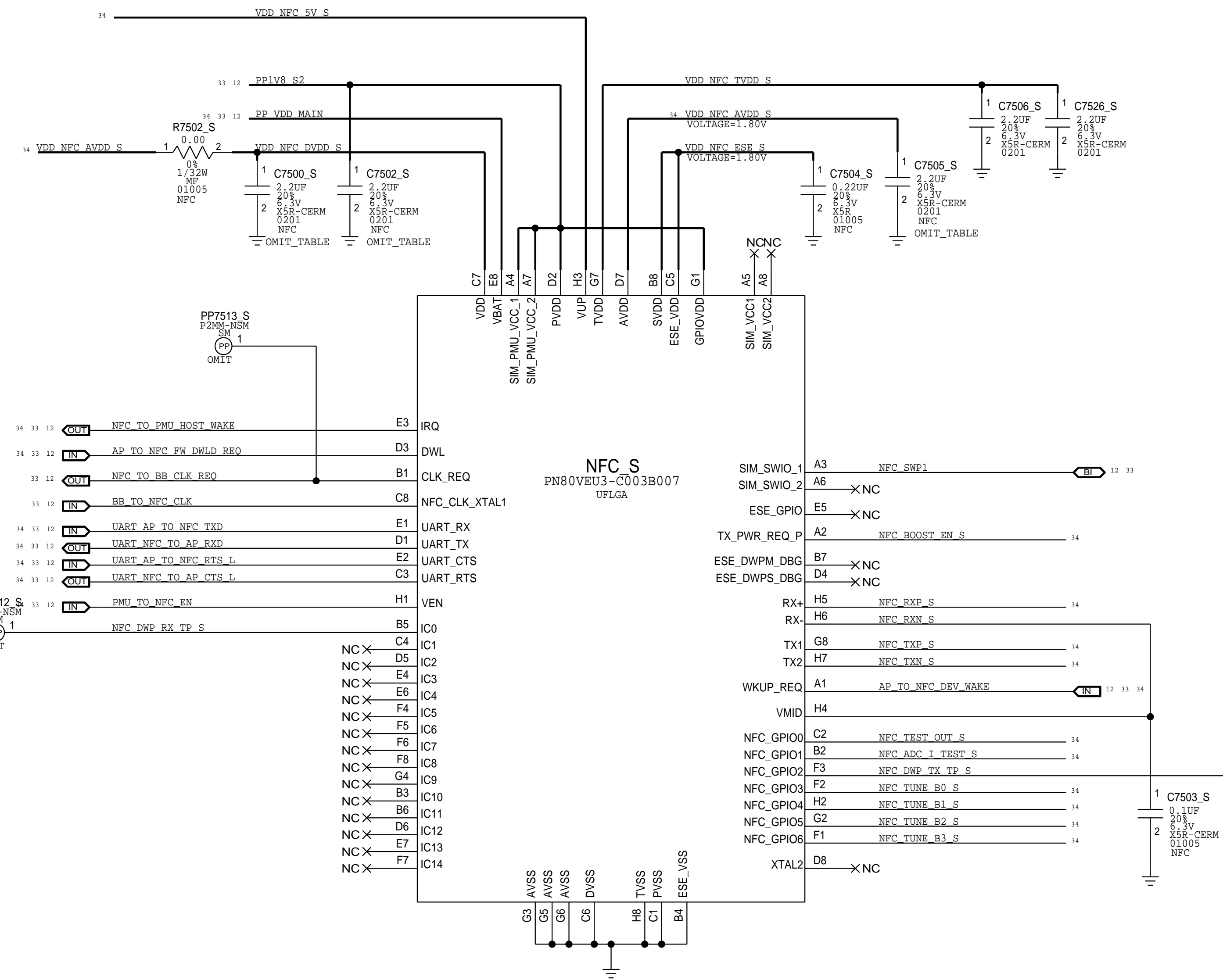
1

STOCKHOLM

5V BOOSTER

NFC CONTROLLER

NFC FRONT END



PAGE TITLE		NFC	
		DRAWING NUMBER	051-02247
		REVISION	7.0.0
NOTICE OF PROPRIETARY PROPERTY: THE INFORMATION CONTAINED HEREIN IS THE PROPRIETARY PROPERTY OF APPLE INC. THE POSSESSOR AGREES TO THE FOLLOWING: I TO MAINTAIN THIS DOCUMENT IN CONFIDENCE I NOT TO REPRODUCE OR COPY IT I NOT TO REVEAL OR PUBLISH IT IN WHOLE OR PART IV ALL RIGHTS RESERVED		BRANCH	evt-1
		PAGE	75 OF 75
		SHEET	34 OF 34
		SIZE	D